

WPTZWB

WALL MOUNT BRACKET

Wall Bracket for PTZ Dome Camera



Key Features

- Aluminium alloy material with surface spray treatment
- Wall bracket for PTZ dome camera

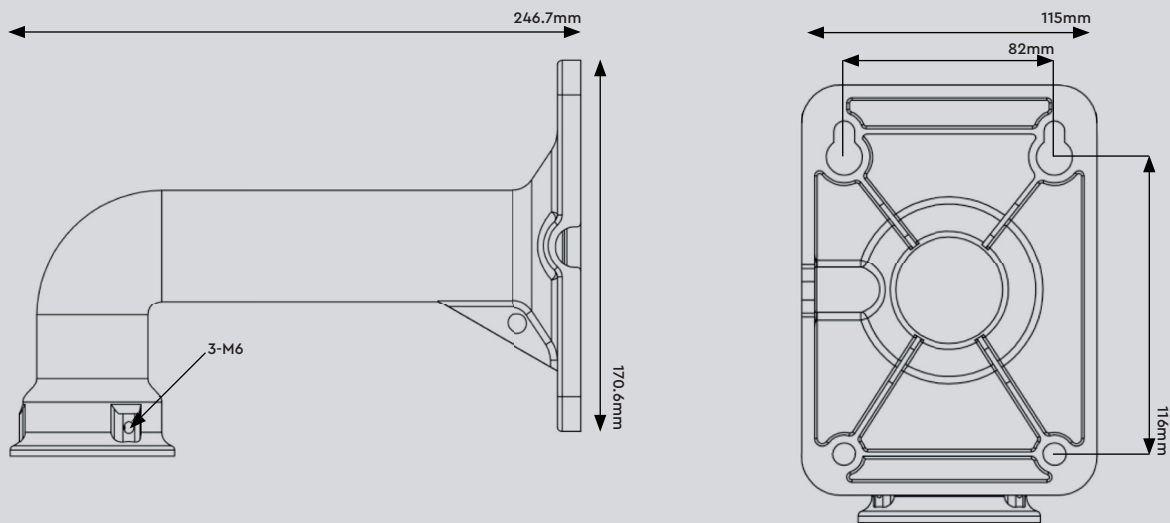
The Genie **WPTZWB** is a wall bracket for PTZ dome camera.



Specification

Material	Aluminium alloy
Colour	White
Working Temperature	-40°C ~ +60°C (-40°F ~ +140°F)
Working Humidity	10% ~ 90%
Load Bearing	The wall must be strong enough to withstand at least 3 times the weight of the camera and bracket.
Dimensions	246.7 × 170.6 × 115 mm
Weight	690g

Dimensions



Accessories



WIPMPM
Multi-Purpose Pole Mount
Bracket



WIPPCM
Multi-Purpose Corner
Mount Bracket