

CADIP8NPAN

SPLICING CAMERA

8MP Dual Lens Splicing Turret Network Camera



ONVIF®



Key Features

- H.265+/H.265/H.264+/H.264/MJPEG coding
- Max.resolution: 8MP (4640 × 1760)
- ICR auto switch, true day/night vision
- Support smart supplement light
- Up to 30 m IR night view distance; up to 20m white light distance
- 3D DNR, WDR, HLC, BLC and ROI coding
- Built-in micro SD card slot, up to 256GB
- DC12V/PoE power supply
- IP66 protection grade
- Support three streams
- Support mobile surveillance by smart phones with iOS and Android OS
- Support SMD
- Support NAT function
- Multiple smart events can be enabled at the same time
- Blue and red light warning (flashing alternately)
- Support user-defined warning voice import
- Dual system backup

The Genie CADIP8NPAN is an 8MP dual-lens splicing turret network camera featuring intelligent analytics, dual warning lights, and smart deterrence functionality. With built-in audio warning capabilities, dual system backup, and support for multiple smart events, the CADIP8NPAN delivers reliable, high-performance surveillance for a wide range of security applications.



genie

Specification

Camera

Image Sensor	1 / 2.7 " Progressive Scan CMOS × 2
Max. Resolution	4640×1760
Electronic Shutter	1 / 3 s ~ 1 / 100000s
Iris Type	Fixed Iris
Minimum Illumination	0.0032 lux@F1.6, AGC ON; 0 lux with LED ON
Lens	2.8mm @F1.6
Field of View	Horizontal: 180°; Vertical:66°
Lens Mount	M12
Day & Night	Auto
Wide Dynamic Range	Digital WDR
BLC	Yes
HLC	Yes
Defog	Yes
Digital NR	3D DNR
S/N Ratio	≥50dB
Angle Adjustment	Pan: 0°~360°, Tilt: 0°~75°, Rotation: 0°~360°

Image

Video Compression	Main stream: H.265+ / H.265 / H.264+ / H.264 Sub stream: H.265+ / H.265 / H.264+ / H.264 / MJPEG Third stream: H.265+ / H.265 / H.264+ / H.264 / MJPEG
H.264 Compression Standard	Baseline Profile, Main Profile, High Profile
Resolution	8MP (4640×1760), 6MP(3632×1632), 4MP(3200×1200), 2MP (2304×864), 2048×768, 1600×608, 1200×448, 960×368, 640×240
Main Stream	8MP/6MP/4MP/2MP(60Hz : 1~30fps; 50Hz : 1~25fps)
Sub Stream	2048×768/1600×608/1200×448(60Hz:1 ~ 30fps; 50Hz: 1 ~ 25fps)
Third Stream	1200×448/960×368/640×240(60Hz:1 ~ 30fps; 50Hz: 1 ~ 25fps)
Bit Rate	64 Kbps ~10Mbps
Bit Rate Type	VBR / CBR
Audio Compression	G711A / U
Image Settings	ROI, Saturation, Brightness, Hue, Contrast, Wide Dynamic, Sharpness, NR, etc. adjustable through client software or web browser
ROI	Each ROI to be configured separately

Functions

Remote Monitoring	Web Browser / NVMS2.0 / NVR/ mobile APP
Web Browser	Chrome 105.0+/Edge 105.0+/Firefox 121.0+/Safari 14.0+
Online Connection	Support simultaneous monitoring for up to 10 users; Support multi-stream real time transmission
Network Protocol	UDP, IPv4, IPv6, DHCP, NTP, RTSP, RTP, RTMP, RTCP, PPPoE, DDNS, SMTP, FTP, SNMP, HTTP, HTTP POST, 802.1x, UPnP, HTTPS, NAT, QoS
Interface Protocol	Onvif compatible
Storage	Network remote storage, micro SD card storage
Smart Alarm	Motion detection, SMD, SD card error, SD card full, IP address conflict, Network disconnection, sensor alarm, audio alarm, light alarm
General Function	Watermark, video mask, heartbeat, smart supplement light, ANR, cloud upgrade, disarming
Security	Video encryption, firmware encryption, HTTPS encryption, configuration encryption, illegal login lock, IP address filtering, 802.1x authentication, basic and token authentication for HTTP/RTSP/API
PoE	Yes, IEEE802.3af
Supplement Light Range	IR Range: up to 30m; White light range: up to 20m
Ingress Protection	IP66

Interface

Network	RJ45 10M/100M self-adaptive ethernet port
Video Output	No
Audio	1CH audio input; 1CH audio output; 1CH built-in speaker; 2CH built-in MICs
Alarm	1CH alarm input, 1CH alarm output
Storage	Built-in micro SD card slot, up to 256GB
Hardware Reset	Yes

DORI Distance

Lens	Detect	Observe	Recognise	Identify
2.8mm	60m(196ft)	24m(79ft)	12m(39ft)	6m(20ft)

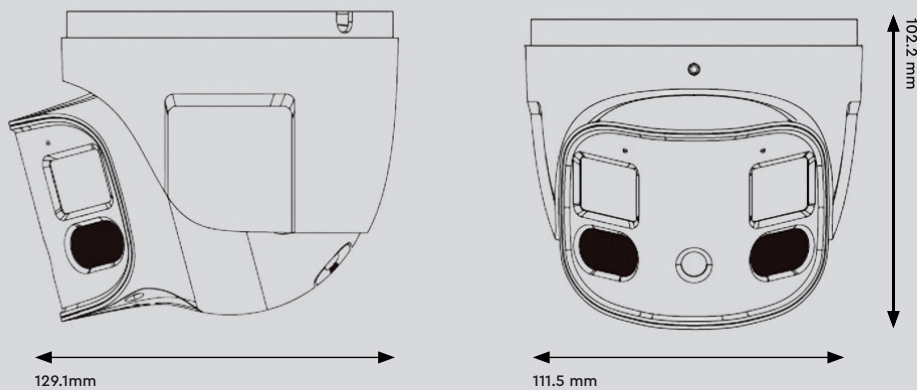
Others

Power Supply	DC12V/PoE
Power Consumption	PoE: max. 10.2W; DC12V: max. 9W
Storage Conditions	- 30 °C ~ 65°C (-22°F~149°F), Humidity: less than 95 % (non-condensing)
Operating Conditions	- 30 °C ~ 60 °C (-22°F~140°F), Humidity: less than 95 % (non-condensing)
Dimensions	Ø 111.5 × 102.2
Weight	Approx.0.719KG
Material	Aluminum alloy body
Installation	Ceiling mounting; Wall mounting
Certificate	CE, FCC
Environmental Protection	Directive EU RoHS, WEEE(2012/19/EU) , directive 94/62/EC and REACH(EC1907/2006)

Intelligent Analytics

Smart Event	Line crossing, region intrusion/entrance/exiting (human/vehicle classification), loitering detection, illegal parking detection, abandoned/missing object detection
Statistics	Target counting by line/area, heat map
Exception Detection	Scene change, video blur and abnormal color detection, audio exception
Face Detection	Face detection and face capture
Video Metadata	Simultaneously captures human body, motor vehicle and non-motor vehicle and extracts 13 human features, 4 motor vehicle features and 1 non-motor vehicle feature

Dimensions



Accessories



WJBBVWP
Water Resistant Junction Box – White



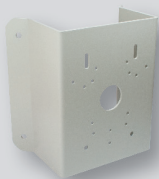
WJBEV
Junction Box for Varifocal and Auto Focus Eyeball Cameras



WBVDVW
Wall Bracket for Vandal Dome Cameras



WIPMPM
Multi Purpose Pole Mount Bracket



WIPMPCM
Multi-Purpose Corner Mount Bracket