

GIPCAM5N

# ENCAPSULATED CAMERA

5MP IP Encapsulated Camera with 2.8mm Fixed Lens



ONVIF®



## Key Features

- 1/2.8" Sony 5.69MP Starvis image sensor
- Max. 30fps/ (2560×1920) Resolution
- Triple streaming (H.265/H.264/MJPEG)
- 2.8mm fixed lens (F=1.6)
- Real-WDR(Wide Dynamic Range)
- 3D DNR (Digital Noise Reduction)
- PoE (IEEE802.3af), external cable PoE
- ONVIF Ver17.06 Compliant. Profile S
- NDA A compliant

The Genie GIPCAM5N is a 5MP IP encapsulated camera with a 1/2.8" progressive scan STARVIS sensor for use in low light conditions using H.265 video compression. The camera is supplied with a 2.8mm lens and mounting bracket.  
NDA A Compliant.



genie

## Specification

### Camera

<b>Image Sensor</b>	1/2.8" Sony 5.69MP STARVIS image sensor
<b>Resolution</b>	2560 × 1920 / 2560 × 1440 / 2048 × 1536 1600 × 1200 / 1920 × 1080 / 1280 × 1024 1280 × 960 / 640 × 480 / 640 × 360 320 × 240 / 320 × 180
<b>Lens</b>	2.8mm fixed Lens/F=1.6
<b>Scan System</b>	Progressive Scan
<b>Total Pixels</b>	2704(H) × 2104(V), 5.69 MP
<b>Effective Pixels</b>	2616(H) × 1964(V), 5.14 MP
<b>Max. Frame Rate</b>	Max 30fps@ all resolution

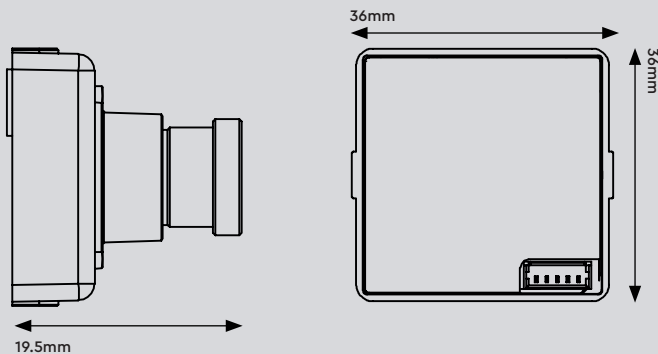
### Others

<b>Power Supply</b>	PoE, DC12[V] ± 10%
<b>Operating Temp</b>	0°C ~ +50°C
<b>Humidity</b>	0% ~ 90%
<b>Dimensions</b>	36mm(W) X 36mm(H) X 19.5mm(D)
<b>Weight</b>	50g (Approx.)
<b>ONVIF</b>	ONVIF Ver17.06
<b>LAN Interface</b>	RJ45 10/100-base-T Ethernet auto sensing PoE(IEEE 802.3af) Interface
<b>Protocol</b>	TCP/IP,UDP/IP,RTP,RTSP,RTCP,NTP, HTTP,DHCP,FTP,SMTP,DNS,DDNS

### Functions

<b>Day &amp; Night</b>	Auto / Day(Colour) / Night(BW), ICR Control
<b>DNR</b>	2DNR, 3DNR
<b>Real WDR</b>	120dB
<b>Motion Detection</b>	432 Zone, Sensitivity 1 ~ 5 Step, On / Off
<b>Privacy Area</b>	On / Off (16 Programmable Zones)
<b>Ext. Video</b>	CVBS 1.0Vp-p
<b>Video Compression</b>	H.265/H.264/MJPEG
<b>Video Quality</b>	H.265 : Bitrate Control H.264 : Bitrate Control MJPEG : Quality Level Control
<b>Video Streaming</b>	Triple Stream (RTP/RTSP, Unicast RTP, Multicast RTP)

## Dimensions



## Accessories



### PSU1SM

DC12V 1A Regulated Switch  
Mode Power Supply