

CADIP8NEB

NETWORK EYEBALL CAMERA

8MP Active Deterrent Eyeball Camera with 2.8mm Lens




Key Features

- H.265+/H265/H.264+/H264/ MJPEG coding
- Maximum resolution: 2688 × 1520
- 30 ~ 40m IR or white light range
- 3D DNR, true WDR, HLC, BLC, Defog and ROI coding
- 1CH audio input; 1CH audio output
- 1CH built-in speaker; 1CH built-in microphone
- Built-in micro SD card slot, up to 256GB
- DC12V/PoE power supply
- IP66 ingress protection
- Support three streams
- Support remote monitoring by smart phones & tablet PCs with iOS and Android OS
- Intelligent analytics
- Blue and red light warning (flashing alternately)
- Support user-defined warning voice import
- Support smart supplement light
- Dual system backup

The Genie CADIP8NEB is a 8MP IP IR active deterrent eyeball camera with a 2.8-mm fixed lens. The camera features dual illumination and intelligent analytics



Specification

Camera

Image Sensor	1 / 1.8 "CMOS
Image Size	3840 × 2160
Electronic Shutter	1 / 4s ~ 1 / 100000 s
Iris Type	Fixed Iris
Minimum Illumination	0.008lux@F1.6, AGC ON, 0 lux with IR, 0 lux with LED
Lens	2.8 mm@F1.6, H.FoV:109°; V.FoV: 57°; D.FoV:132°
Focus	Fixed
Lens Mount	M12
Wide Dynamic Range	120dB
BLC	Yes
HLC	Yes
Defog	Yes
Digital NR	2D/3D DNR
S/N Ratio	≥50dB
Angle Adjustment	Pan: 0°~360°; Tilt:0°~75°; Rotation: 0°~360°

Image

Video Compression	Main stream: H.265+ / H.265 / H.264+ / H.264 Sub/Third stream: H.265+ / H.265 / H.264+ / H.264 / MJPEG
H.264 Compression Standard	Baseline Profile/Main Profile/High Profile
Resolution	8MP(3840×2160), 6MP(3200×1800), 4MP(2688×1520), 2K(2560×1440), 1080P(1920 ×1080), 720P(1280×720), D1, VGA(640×480), 640×360, CIF, 480×240
Main Stream	8MP/6MP/4MP/2K/1080P(60Hz : 1 ~ 30fps; 50Hz: 1~25fps)
Sub Stream	1080P(60Hz/50Hz:1~15fps)/720P/D1/640×360(60Hz:1~30fps; 50Hz:1~25fps)
Third Stream	720P(60Hz/50Hz:1~15fps)/D1/VGA/640×360CIF/480×240(60Hz:1~30fps; 50Hz:1~25fps)
Bit Rate	64 Kbps ~12 Mbps
Bit Rate Type	VBR / CBR
Audio Compression	G711A / U
Image Settings	ROI, Saturation, Brightness, Hue, Contrast, Wide Dynamic, Sharpness, Image Flip, Image Mirror, NR, etc. adjustable through client software or web browser
ROI	Each ROI to be configured separately

Functions

Remote Monitoring	Web Client/NVR/NVMS2.0/Mobile APP
Web Browser	IE11 (plug-in required) /Chrome 89.0+ / Edge 89.0+ /Firefox 87.0+ /Safari 14.0+
Online Connection	Support simultaneous monitoring for up to 10 users; Support multi-stream real time transmission
Network Protocol	UDP, IPv4, IPv6, DHCP, NTP, RTSP, RTP, RTCP, PPPoE, DDNS, SMTP, FTP, SNMP, RTMP, HTTP, 802.1x, UPnP, HTTPS, HTTP POST, QoS
Interface Protocol	Onvif compatible
Storage	Network remote storage; micro SD card storage
Smart Alarm	Motion detection, sensor alarm, SD card error, SD card full, IP address conflict, cable connection, audio alarm, light alarm
General Function	Watermark, IP address filtering, video mask, heartbeat, password protection, image distortion correction, smart supplement light, disarming
Security	Video encryption, firmware encryption, HTTPS encryption, configuration encryption, illegal login lock, IP address filtering, 802.1x authentication, basic and digest authentication for HTTP/RTSP
PoE	Yes
Supplement light Range	IR range: 30 ~ 40 m White light range: 30 ~ 40 m
Protection Grade	IP66

Interface

Network	RJ 45 10M/100M self-adaptive Ethernet port
Video Output	No
Alarm	1CH alarm input; 1CH alarm output
Audio	1CH audio input; 1CH audio output; 1CH built-in speaker; 1CH built-in microphone
Storage	Built-in micro SD card slot; up to 256GB
Hardware Reset	Yes

Intelligent Analytics

Statistics	Target counting by line/area, heat map
Smart Event	Line crossing, region intrusion/entrance/exiting (human/vehicle classification) loitering detection, illegal parking detection, abandoned/ missing object detection
Exception Detection	Scene change, video blur and abnormal colour detection, audio exception
Face Detection	Face detection and face capture
Video Metadata	Simultaneously captures human body, motor vehicle and non-motor vehicle and extracts 13 human features, 5 motor vehicle features and 1 non-motor vehicle feature

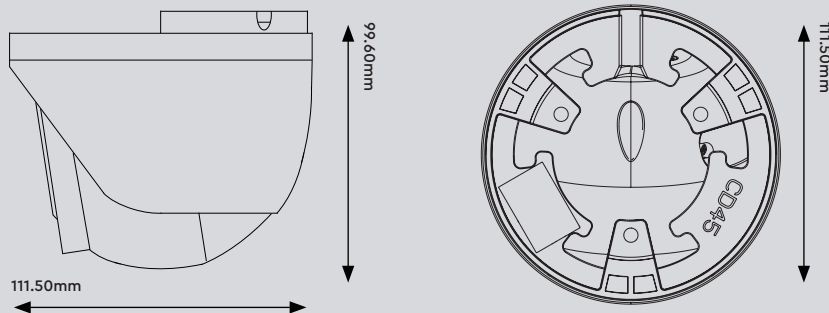
DORI Distance

Lens	Detect	Observe	Recognise	Identify
2.8 mm	80m(262ft)	32m(105ft)	16m(52ft)	8m(26ft)

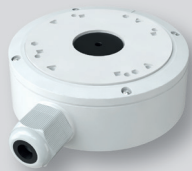
Others

Power Supply	DC12V/PoE
Power Consumption	< 12W
Storage Conditions	-30 °C ~ 65°C (-22°F~149°F), Humidity: less than 95 % (non-condensing)
Operating Environment	-30 °C ~ 60 °C (-22°F~140°F), Humidity: less than 95 % (non-condensing)
Dimensions	Ø111.5 × 99.6
Weight	Approx. 0.64KG
Installation	Ceiling mounting; wall mounting

Dimensions



Accessories



WJBBVWP
Water Resistant Junction Box



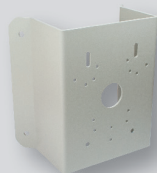
WJBEBV
Junction Box for Varifocal and Auto Focus Eyeball Cameras



WBEVW
Wall Bracket for Eyeball Cameras – White



WIPPPP
Multi Purpose Pole Mount Bracket – White



WIPPCM
Multi Purpose Corner Mount Bracket – White