

WIPX8NMVDVAF

NETWORK IR DOME CAMERA

8MP H.265 IP IR Vandal resistant Dome with 2.8–12mm Auto Focus Lens, Video Metadata and Facial Recognition



ONVIF®



Key Features

- NDAA Compliant
- H.265+/H.265/H.264+/H.264/MJPEG coding
- Maximum resolution: 8MP (3840 × 2160)
- ICR auto switch, true day / night vision
- 3D DNR, true WDR, HLC, BLC and ROI coding
- Support electronic image stabilisation
- 30 ~ 50m IR night view distance
- Motorised zoom lens
- 1CH audio input; 1CH audio output; 1CH built-in MIC
- 1CH alarm input; 1CH alarm output; 1CH CVBS video output
- Built-in micro SD card slot, up to 256GB
- DC12V/PoE power supply
- Support three streams
- IP 67 & IK10
- Support mobile surveillance by smart phones with iOS and Android OS
- Support SMD
- Support P2P function
- Intelligent analytics
- Dual-system backup

The Genie WIPX8NMVDVAF is a 8MP IP IR vandal resistant dome camera with a 2.8-12mm auto focus lens. The camera features video metadata and facial recognition when paired with any Genie AI NVR.



genie

Specification

Camera

Image Sensor	1 / 2.8" CMOS
Image Size	3840 × 2160
Electronic Shutter	1 / 3 s ~ 1 / 100000 s
Iris Type	DC Iris
Minimum Illumination	0.015 lux@F1.4, AGC ON; 0 lux with IR
Lens	2.8~12mm @ F1.4, motorised
Lens Mount	Ø14
Field of View	Horizontal: 102°~32°; Vertical:54°~17°; Diagonal: 120°~37°
Day & Night	ICR
Wide Dynamic Range	120dB
BLC	Yes
HLC	Yes
Defog	Yes
S/N Ratio	≥50dB
Digital NR	3D DNR
EIS	Yes
Angle Adjustment	Pan: 0°~345°; Tilt:0°~77°; Rotation: 0°~345°

Functions

Remote Monitoring	Web browsing / NVMS2.0 / NVR / mobile APP
Web Browser	Chrome 89.0+/Edge 89.0+/Firefox 87.0+/Safari 14.0+
Online Connection	Support simultaneous monitoring for up to 10 users; Support multi-stream real time transmission
Network Protocol	UDP, IPv4, IPv6, DHCP, NTP, RTSP, RTP, RTMP, RTCP, PPPoE, DDNS, SMTP, FTP, SNMP, HTTP, HTTP POST, 802.1x, UPnP, HTTPS, P2P, QoS
Interface Protocol	Onvif compatible
Storage	Network remote storage; micro SD card storage
Smart Alarm	Motion detection, SMD, SD card error, SD card full, IP address conflict, Network disconnection, sensor alarm, audio alarm
General Function	Watermark, video mask, heartbeat, image distortion correction, corridor pattern, ANR, cloud upgrade
Security	Video encryption, firmware encryption, HTTPS encryption, configuration encryption, illegal login lock, IP address filtering, 802.1x authentication, basic and digest authentication for HTTP/RTSP
PoE	Yes, IEEE802.3af
IR Distance	30 ~ 50 m
Ingress Protection	IP67 & IK10

Image

Video Compression	Main stream: H.265+ / H.265 / H.264+ / H.264 Sub stream: H.265+ / H.265 / H.264+ / H.264 / MJPEG Third stream: H.265+ / H.265 / H.264+ / H.264 / MJPEG
H.264 Compression Standard	Baseline Profile/Main Profile/High Profile
Resolution	8MP (3840 × 2160), 6MP(3072 × 2048),5MP(2592 × 1944), 4MP(2592 × 1520), 2K (2560 × 1440), 3MP (2304 × 1296), 1080P (1920 × 1080), 720P (1280 × 720), D1, CIF, 480 × 240, VGA(640×480)
Main Stream	8MP/6MP/5MP/4MP/2K/3MP/1080P/720P(60Hz:1~30fps; 50Hz:1~25fps)
Sub Stream	720P/D1/CIF/VGA/480 ×240(60Hz:1 ~ 30fps; 50Hz: 1 ~ 25fps)
Third Stream	720P/D1/CIF/480 ×240(60Hz:1 ~ 30fps; 50Hz: 1 ~ 25fps)
Bit Rate	64 Kbps ~ 12Mbps
Bit Rate Type	VBR / CBR
Audio Compression	G711A / U
Image Settings	ROI, Saturation, Brightness, Hue, Contrast, Wide Dynamic, Sharpness, Image Mirror, Image Flip, NR, etc. adjustable through client software or web browser
ROI	Each ROI to be configured separately

Interfaces

Network	RJ 45 10M/100M self-adaptive Ethernet port
Video Output	CVBS output (BNC×1)
Audio	1CH audio input; 1CH audio output; 1CH built-in MIC
Alarm	1CH alarm input; 1CH alarm output
Storage	Built-in micro SD card slot; up to 256GB
Hardware Reset	Yes

DORI Distance

Lens	Detect	Observe	Recognise	Identify
2.8 ~ 12mm (W)	85m(185ft)	34m(93ft)	17m(63ft)	8m(26ft)
2.8 ~ 12mm (T)	289m(552ft)	116m(241ft)	58m(136ft)	29m(84ft)

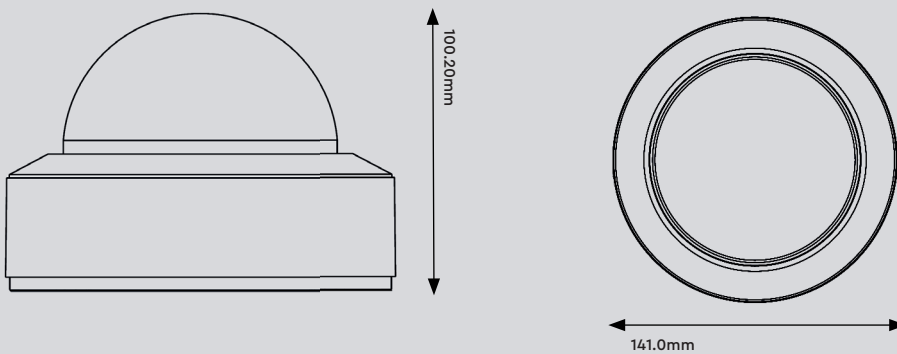
Intelligent Analytics

Smart Event	Line crossing, region intrusion/entrance/exiting, loitering detection, illegal parking detection, abandoned/missing object detection
Statistics	Target counting by line/area, heat map
Exception Detection	Scene change, video blur and abnormal colour detection, audio exception
Face Detection	Face detection and face capture
Video Metadata	Simultaneously captures human body, motor vehicle and non-motor vehicle and extracts 13 human features, 4 motor vehicle features and 1 non-motor vehicle feature

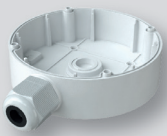
Others

Installation	Ceiling mounting; Wall mounting
Power Supply	DC12V/PoE
Power Consumption	< 10.5 W
Storage Environment	- 30 °C ~ 65°C (-22°F~149°F), Humidity: less than 95 % (non-condensing)
Operating Environment	- 30 °C ~ 60 °C (-22°F~140°F), Humidity: less than 95 % (non-condensing)
Dimensions	Ø 141 × 100.2
Weight	Approx. 0.89KG

Dimensions



Accessories



WJBVDV
Junction Box – White



WIPCVDV
Ceiling Mount Bracket – White



WIPMPCM
Multi-Purpose Corner Mount Bracket – White



WIPMPPM
Multi-Purpose Pole Mount Bracket – White



WBVDV
Wall Bracket for Vandal Dome Cameras