

GMP5L550IR

VARIFOCAL LENSES

1/2.5" 5MP 5-50mm IR Corrective Auto Iris Varifocal Lens



Key Features

- 5MP 1/2.5" 5-50mm F1.8 Lens
- IR corrected auto iris DC varifocal lens

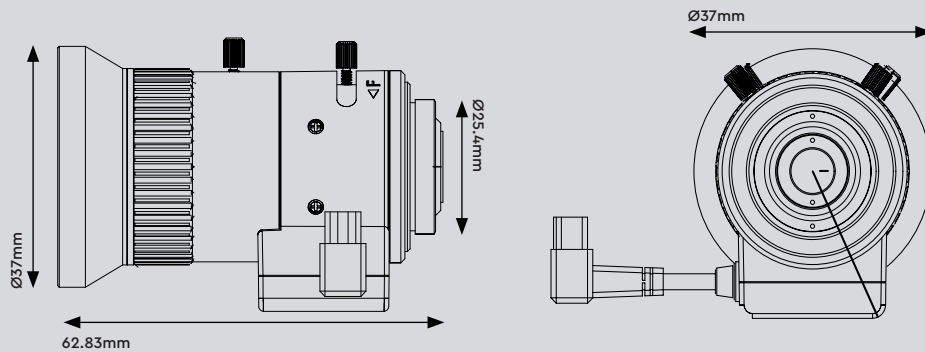
The Genie **GMP5L550IR** is a 5MP 5-50mm IR corrective auto iris varifocal lens.



Specification

Image Format	1/2.5"
Focal Length	5-50mm
F No.	F1 : 1.8
Back Focal Length	12.7 - 15.7mm
Field of View	D: 60.5°-9.0°, H: 51.4-7.4°, V: 26°-4.0°
Resolution	5MP
Zoom	Manual
Focus	Manual
Iris	DC
Mount	CS
Filter mount	M35.5*0.5
Operating Temperature	-20°C ~ 70°C,
M.O.D (m)	0.5m
Dimensions	Ø37*L62.83±0.2

Dimensions



Accessories



FILTERKIT4
Filter Set Up Kit