

GMP5L5100IR

VARIFOCAL LENSES

1/2.7" 5MP 5-100mm IR Corrective Auto Iris Varifocal Lens



Key Features

- 5MP 1/2.7" 5-100mm F1.8 Lens
- IR corrected auto iris DC varifocal lens

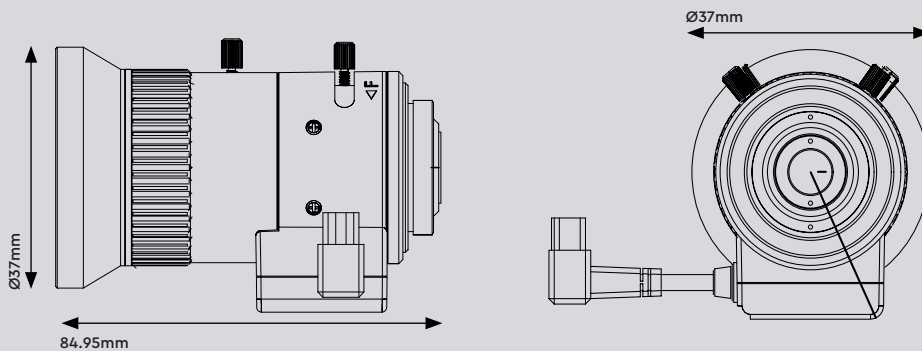
The Genie **GMP5L5100IR** is a 5MP 5-100mm IR corrective auto iris varifocal lens.



Specification

Image Format	1/2.7"
Focal Length	5-100mm
F No.	F1.8
Field of View	D: 68.5°-3.73°, H: 60.7-3.27°, V: 36.2°-1.84°
Resolution	5MP
Zoom	Manual
Focus	Manual
Iris	DC
Mount	CS
Operating Temperature	-20°C ~ +70°C,
M.O.D (m)	0.2(w) - 1M(T)
System TTL	97.45±0.3mm
Chief Ray Angle	3.4°(W)-2.6°(T)
Illumination	40.0%(W)-61.1%(T)
Distortion	-3.0%(W)~1.3%(T)
Mechanical Bfl	7.5
Wavelength	430~650&850nm
IR Correction	Yes
Dimensions	Ø37×84.95mm

Dimensions



Accessories



FILTERKIT4
Filter Set Up Kit