

WIPX4NLBVLPR

BULLET CAMERA

4MP H.265 IP LPR Camera with 8–32mm Motorised Lens with 70m IR



ONVIF®

Key Features

- 4MP (2560 × 1520) @30fps
- Support H265+/H264+/H265/H264/MJPEG coding
- ICR auto switch, true day/night
- Motorised lens
- 3D DNR, true WDR, HLC, BLC and ROI coding
- Built-in micro SD card slot, up to 256GB
- Supports three streams
- IP67 ingress protection
- Supports mobile surveillance by smart phones with iOS and Android OS
- Intelligent Analytics: license plate recognition, vehicle type detection
- DC12V / AC24V / PoE power supply

The Genie WIPX4NLBVLPR bullet style camera is a high quality IP camera especially designed to operate with the Genie "AI" NVR's and provide a very effective LPR (License Plate Recognition) system suitable for a host of applications including clubs, business car parks, private estates etc.



genie

Specification

Camera

Image Sensor	1 / 1.8" CMOS
Image Size	2560 × 1520
Electronic Shutter	Manual or auto; manual: 1 / 1 s ~ 1 / 100000s
Iris Type	DC Iris
Minimum Illumination	0.0007 lux@F1.3,AGC ON; 0 lux with IR 0.001 lux@F1.6, AGC ON; 0 lux with IR
Lens	8 – 32mm section Horizontal: 41°~15.5; Vertical: 23°~9.5°; Diagonal: 46.5°~18°
Lens Mount	Integrated
Recommended ANPR Distance	7~30m
Wide Dynamic Range	120dB
BLC	Yes
HLC	Yes
Defog	Yes
Digital NR	3D DNR
S/N Ratio	≥50dB
Angle Adjustment	Pan: 0°~360°; Tilt:0°~90°; Rotation: 0°~360°

Image

Video Compression	Main stream: H.265+ / H.265 / H.264+ / H.264 Sub stream: H.265+ / H.265 / H.264+ / H.264 / MJPEG Third stream: H.265+ / H.265 / H.264+ / H.264 / MJPEG
H.264 Compression Standard	Baseline Profile / Main Profile / High Profile
Resolution	4MP (2592 ×1520), 2K (2560 ×1440), 3MP(2304 ×1296),1080P(1920 ×1080), 720P (1280 ×720), D1, CIF
Main Stream	4MP/2K/3MP/1080P(60Hz :1 ~ 30fps; 50Hz : 1 ~ 25fps) HFR Mode: 1080P/720P (60Hz: 1~60fps; 50Hz: 1~50fps)
Sub Stream	720P/D1/CIF (60Hz :1 ~ 30fps; 50Hz : 1 ~ 25fps)
Third Stream	D1/CIF (60Hz :1 ~ 30fps; 50Hz : 1 ~ 25fps)
Bit Rate	64 Kbps ~ 8 Mbps
Bit Rate Type	VBR / CBR
Audio Compression	G711A / U
Image Settings	ROI, Saturation, Brightness, Hue, Contrast,Wide Dynamic, Sharpness, Image Mirror, Image Flip, NR,etc. adjustable through client software or web browser
ROI	Each ROI to be configured separately

Interface

Network	100M RJ 45
Video Output	CVBS output (BNC× 1)
Audio	1CH audio input; 1CH audio output
Alarm	1CH alarm input, 1CH alarm output
Storage	Built-in Micro SD card slot, up to 256GB
Hardware Reset	Yes
RS 485	Yes
Wiegand	Yes

Functions

Remote Monitoring	Web Browser/NVMS2.0/NVR/mobile APP
Web Browser	IE11(plug-in required)/Chrome 89.0+/Edge 89.0+/Firefox 87.0+/Safari 14.0+
Online Connection	Support simultaneous monitoring for up to 10 users; Support multi-stream real time transmission
Network Protocol	UDP, IPv4, IPv6, DHCP, NTP, RTSP, RTP, RTMP, RTCP, PPPoE, DDNS, SMTP, FTP, SNMP,HTTP, HTTP POST,802.1x, UPnP, HTTPS, QoS
Interface Protocol	Onvif compatible
Storage	Network remote storage; micro SD card storage
Intelligent Analytics	License plate recognition, vehicle type detection, video exception detection
Smart Alarm	Motion detection, sensor alarm, SD card error, SD card full, IP address conflict, cable disconnection
General Function	Watermark, video mask, heartbeat, corridor mode
Security	Video encryption, firmware encryption, HTTPS encryption, configuration encryption, illegal login lock, IP address filtering, 802.1x authentication, basic and digest authentication for HTTP/HTTPS
PoE	Yes , IEEE802.3af
IR Distance	70~100m
Protection Grade	IP67

Specification

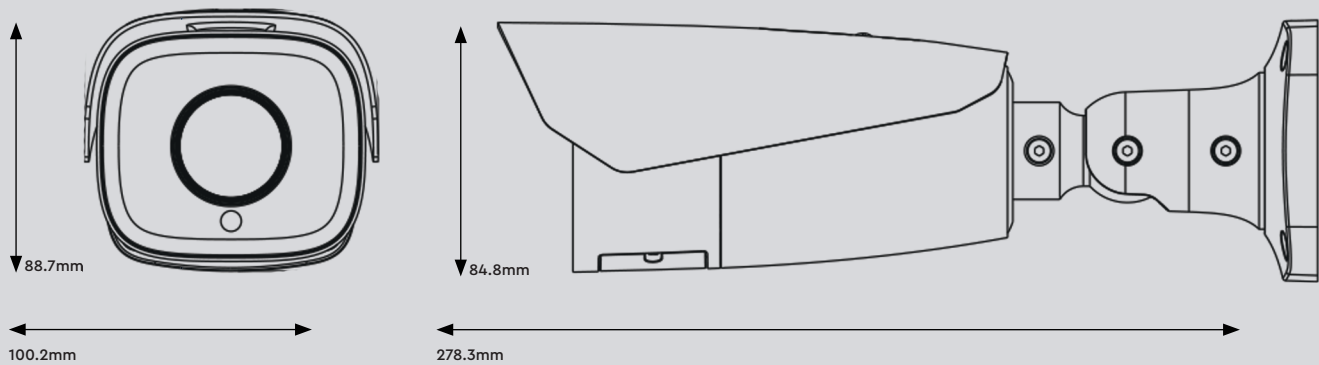
Others

Ingress Protection	IP67
Power Supply	DC12V/AC24V/PoE
Power Consumption	< 12W
Operating Environment	- 30 °C ~ 60 °C (-22°F~140°F); Humidity: less than 95 % (non-condensing)
Storage Environment	- 30 °C ~ 65 °C (-22°F~149°F); Humidity: less than 95 % (non-condensing)
Dimensions	278.3 × 100.2 × 88.7 mm
Weight	Approx. 1.176KG
Installation	Ceiling mounting; Wall mounting
Certificate	CE, FCC
Environmental Protection	Complies with Directive EU RoHS, WEEE(2012/19/EU) , directive 94/62/EC and REACH(EC1907/2006)

LPR

Snapshot	Overview and cutout of plate for picture
Vehicle Plate Database	10000
Capture Speed Range	0~120km/h
OSD Information Overlay	A lot of information can be overlaid on the captured original image, including snapshot time, location, license plate, plate color, traffic violation information

Dimensions



Accessories



WJBBVWP
Waterproof Junction Box
- White



WIPMPCM
Multi-Purpose Corner
Mount Bracket - White



WIPMPPM
Multi-Purpose Pole
Mount Bracket - White