

WIP8NPTZ25P

# PTZ CAMERA

4K 8MP H.265 IP IR 4" 25x Optical Zoom PTZ Camera with Starlight and PoE



ONVIF®



## Key Features

- Face recognition
- Face comparison
- Target counting
- Alarm triggering by human or vehicle
- Smart human or vehicle tracking, manual tracking, auto tracking (via software setting)
- 1/2.8" sony progressive scan CMOS
- Up to 3840×2160 resolution
- Minimum illumination: Colour: 0.01Lux @ (F1.65, AGC ON); B/W: 0.002Lux @ (F1.65 AGC ON); 0Lux with IR25x optical zoom, 16x digital zoom
- 120 dB WDR, 3D DNR, Smart IR
- Smart IR with distance to 150m
- IP66 ingress protection
- Up to 150m IR distance
- Smart H.265/H.264 video compression
- 0.5Tops Deep-learning Engine
- Smart tracking of human/vehicle
- Smart detection and perimeter protection
- IP66, -30°C~55°C, ADC12 + PC/GF
- PoE+ (802.3.at, class 3) and DC12V
- API and SDK
- Requires WPTZWB bracket

The Genie **WIP8NPTZ25P** is a powerful PTZ camera with accurate pan, tilt and zoom performance. The camera provides a wide monitoring range as well as a full 4K 8MP high definition resolution at 25/30fps. The camera is rated IP66 which means it works well outdoors with effective protection against lightning. The camera also features AI functions such as face recognition, face comparison and tracking.



genie

## Specification

### Camera

<b>Image Sensor</b>	1/2.8"SONY latest progressive scan CMOS
<b>Max resolution</b>	3840×2160
<b>Minimum Illumination</b>	Colour: 0.01Lux @ (F1.65, AGC ON); B/W: 0.002Lux @(F1.65 AGC ON);0Lux with IR25x optical zoom, 16x digital zoom
<b>Image Setting</b>	Flip, Mirror, Saturation, Brightness, Contrast, Sharpness, AGC, etc. adjusted by client
<b>Shutter Speed</b>	50Hz: 1/25 s~1/25,000s, 60Hz: 1/30s~1/30,000s
<b>White Balance</b>	Auto/Manual/Indoor/Outdoor
<b>Gain</b>	Auto/Manual
<b>Day &amp; Night</b>	Auto/Manual ,time schedule
<b>Iris control</b>	Auto/Manual
<b>SNR</b>	≥52dB
<b>3D DNR</b>	Auto/Manual
<b>AE Enhancement</b>	BLC, HLC, WDR
<b>Privacy Mask</b>	4 areas, up to 8 mask per request
<b>Picture Overlay</b>	Logo picture could be overlaid on video with 128×128pixels,24bits BMP format
<b>OSD overlay</b>	max 15 characters/line, 8 lines, white or red font color

### Lens

<b>Focus Length</b>	f=4.8~120mm lens,25x optical zoom
<b>Zoom Speed</b>	Approx. 3.6s (optical zoom, wide-tele)
<b>Field of View</b>	Horizontal: 57.6°~2.4°; Vertical: 33.4°~1.4°; Diagonal: 64.5°~ 2.9°(wide-tele) ±5%
<b>Working Distance</b>	Wide: 1.0m ~ INF; tele: 1.5m ~ INF
<b>Iris Range</b>	F1.65 ~ F3.8 (wide-tele)
<b>IRCut type</b>	Removable IRCUT filter

### Smart Features

<b>Basic Event</b>	Motion detection, Video tampering alarm, Exception(Network disconnected, IP address conflict, SD full, SD error)
<b>Face Recognition</b>	Ver5.0.1:Detecting max 15~17 faces at same scene. Detecting, recognition, Ver5.1.1:and comparing, max 20Kpcs face ID storage
<b>Road traffic</b>	Vehicle detecting and tracking
<b>Smart Detection</b>	Tripwire, Bi-directional tripwire, Illegal intrusion detection, Region entrance detection, Region exiting detection, etc. More VCA per request.
<b>Smart Tracking</b>	Smart tracking of human or vehicle, auto/manual

### Compression Standard

<b>Pan Range</b>	360°endless
<b>Pan Speed</b>	Configurable, from 0.1~200°/s; Preset speed: 240°/s
<b>Tilt Range</b>	From -10°to 90°,auto flip
<b>Tilt Speed</b>	Configurable, from 0.1~ 200°/s, Preset speed: 240°/s
<b>Proportional Zoom</b>	Yes
<b>Preset</b>	360
<b>Cruise</b>	8 cruises, up to 16 presets for each cruises
<b>Trace</b>	4 traces, record time over 3 minutes for each trace
<b>Power Off Memory</b>	Support
<b>Action Mode</b>	Preset/Cruise/Trace/Auto Scan/Random Scan
<b>3D Positioning</b>	Support
<b>PTZ Position Display</b>	Support
<b>Schedule Task</b>	Preset/Cruise/Trace/Random Scan/ Boundary Scanning /Dome reboot

### IR

<b>IR Distance</b>	150m (492 f.t.) ,dual stack IR LED array, 6pcs into 3groups
<b>Smart IR</b>	Yes

### Network

<b>Main Stream</b>	50Hz: 3840 ×2160,2560 ×1440,1920 ×1080,1280 ×960,1280 ×720,@25fps 60Hz: 30fps:3840 ×2160,2560 ×1440,1920 ×1080,1280 ×960,1280 ×720,@30fps
<b>Sub Stream</b>	50Hz: (704 ×576, 640 ×480, 352 ×288) @25fps 60Hz: (704 ×480, 640 ×480, 352 ×240) @30fps
<b>Third Stream</b>	50Hz:(1920 ×1080, 1280 ×960, 1280 ×720, 704 ×576, 640 ×480, 352 ×288) @25fps 60Hz:(1920 ×1080, 1280 ×960, 1280 ×720, 704 ×480, 640 ×480, 352 ×240) @30fps
<b>Video Compression</b>	H.265+/H.265/H.264+/H.264/MJPEG
<b>H.264 Standard</b>	H.264/AVC codec BP/MP/HP, Level 5.1
<b>H.265 Standard</b>	H.265/HEVC codec MP, level 5.0
<b>Video Bit Rate</b>	64 Kbps to 16Mbps
<b>Audio compression</b>	G.711 A/U
<b>Audio Bit Rate</b>	64K bps
<b>Protocols</b>	HTTP, HTTPS, IPv4/IPv6, 802.1x, QoS, FTP, SMTP, UPnP, SNMP,DNS, DDNS, NTP, RTSP, RTCP, RTP, TCP/IP, UDP, DHCP, PPPoE
<b>User / Host</b>	Up to 16 users, 3 levels: Administrator, Advanced User and Normal User
<b>Security Measures</b>	User authentication (ID and PW), Host authentication (MAC address); HTTPS encryption, IEEE802.1x port-based network access control; IP address filtering

## Specification

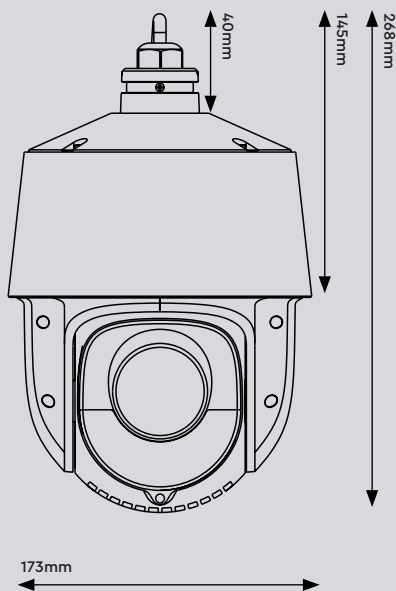
### System Integration

<b>Alarm Interface</b>	1 Alarm input(Dry contact); 1 Alarm output
<b>Audio Interface</b>	1 audio input(MIC in); 1 audio output, line level, impedance,600Ω
<b>Alarm Linkage</b>	Alarm actions, such as Preset, Cruise, Track, Memory Card Video Record, Trigger Recording, Notify Surveillance Center, Upload to FTP/Memory Card, Send Email, etc.
<b>Network Interface</b>	1 RJ45 10M/100M Adaptive Ethernet ,Support PoE+
<b>SD Card Slot</b>	One Micro SD slot, up to 256G
<b>RS485</b>	None
<b>Reset button</b>	Yes
<b>Heater</b>	Yes
<b>Fan</b>	Yes
<b>Water removal</b>	Remove water-drops by quick spinning
<b>API</b>	ONVIF, support SDK and third-party management platform
<b>Client</b>	N9000 1.4.5, NVMS 2.0; and the third-party client, free iOS/Android APP
<b>Web Browser</b>	IE8-11

### Others

<b>Power</b>	DC12V±25%,3000mA , PoE+ (802.3.at,class 3), max 24W include IR ON+PTZ working
<b>Languages</b>	Czech; English, German ; Hungarian ; Italian ; Japanese ; Korean ; Portuguese, Polish; Russian, Romanian, Spanish; Spanish(Mexico); Simplified Chinese; Turkish; Traditional Chinese.
<b>Working Conditions</b>	-40°C ~ 60°C (-40°F ~ 140°F), Cold start at - 30°C(0.5Hour waiting); 90%RH
<b>Storage Conditions</b>	-40°C ~ 70°C ; ≤ 95% RH
<b>Protection</b>	IP66, 6000V Lightning Protection, Surge Protection and Voltage Transient Protection
<b>Material</b>	Aluminum Alloy + Polymer ( Plastic with glass fiber 15%)
<b>Certification</b>	IP66,IK10(excluding glass window),ROHS,CE,FC
<b>Dimensions</b>	Φ 173mm × 268mm ( 6.8 inch Φ × 10.55 inch)
<b>Weight</b>	Approx. 2.1 Kg (4.63 lb.)

## Dimensions



## Accessories

---



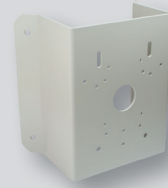
**WPTZWB**  
Wall Bracket for  
WIP2PTZ18P PTZ Dome  
Camera - White



**WIPPTZCB**  
Ceiling Mount Bracket for  
WIP PTZ Cameras - White



**WIPMPPM**  
Multi Purpose Pole Mount  
Bracket - White



**WIPMPCM**  
Multi Purpose Corner  
Mount Bracket - White