

CADIP4NPTZ4P

PTZ CAMERA

4MP H.265 IP IR 3" Mini PTZ Camera 4x Optical Zoom with Active Deterrence and PoE



Key Features

- 1/2.7" progressive scan CMOS
- Up to 2560x1440 resolution
- Minimum illumination: Colour: 0.01 lux @ (F1.6 AGC ON) 0 Lux with IR
- 4x optical zoom
- 4 Smart IR LEDs with distance to 50m, 2 white LEDs, up to 30m
- Smart tracking of human/vehicle
- Bi-directional audio
- 30m for audible warnings, 7m for voice recording
- IP66, IK10, -40°C-70°C
- PoE+ or DC12V
- SD/TF
- Onvif, API, SDK IE/NVR/VMS

The Genie **CADIP4NPTZ4P** is a 4MP IP IR active deterrent mini PTZ camera with a 2.8- 12mm auto focus lens. The camera features dual illumination and intelligent analytics. The camera is rated IP66 which means it works well outdoors with effective protection against lightning. The camera also features AI functions such as Smart tracking of human or vehicle.



Specification

Camera

Image Sensor	1/2.7" progressive scan CMOS with BSI and NIR+ technology
Minimum Illumination	Colour: 0.01 Lux @ (F1.6, AGC ON), B&W: 0.002 Lux @(F1.6, AGC ON) 0 Lux with IR
Image Setting	Flip, Mirror, Saturation, Brightness, Contrast, Sharpness, AGC, and AWB adjusted by client
Shutter Speed	50Hz: 1/25s~1/25,000s, 60Hz: 1/30s~1/30,000s
White Balance	Auto/Manual/Indoor/Outdoor
Gain	Auto/Manual
Day & Night	Auto/Manual
AE Enhancement	BLC, HLC, WDR
Privacy Mask	4 Programmable privacy masks
3D DNR	Auto/Manual
Picture Overlay	Logo picture could be overlaid on video with 128×128pixels, 24bits JPG format
Font Overlay	Max 15characters per line, 8 lines max, white color or red colour

Lens

Focus Length	f=2.8-12mm lens,4x optical
Zoom Speed	About 1.6s (Wide->tele)
Field of View	Horizontal: 97°to 31°±5%; Vertical: 51°to 18°±5%; Diagonal: 115°to 36°±5% (wide-tele)
Working Distance	Wide: 0.3m ~ INF; tele: 0.5m ~ INF
Aperture Range	F1.6~ F2.7 (wide-tele)
IR Cut Filter	Electrical switchable ICR

Smart Features

Basic Event	Motion detection, video tampering alarm, exception (network disconnected, IP address conflict, SD full, SD error)
Face Recognition	Default do not support human face detection capture, face comparison(customized per request)
Road Traffic	Vehicle detecting and tracking, etc.
Smart Detection	Tripwire, Bi-directional tripwire, Illegal intrusion detection, Region entrance detection, Region exiting detection, etc.
Smart Tracking	Smart tracking of human or vehicle, auto/manual
Active Deterrence	Flash strong white light and predefined voice upon invaders detected. Support 10+ different predefined voice clips
Two-way talk	Support two-way talk

PTZ

Pan Range	0~355°
Pan Speed	Configurable, from 0.1~80°/s; Preset speed: 80°/s
Tilt Range	From -5°to 90°
Tilt Speed	Configurable, from 0.1°~ 60°/s, Preset speed: 60°/s
Pan/Tilt Action Interval	At least 10 seconds, adjustable
Proportional Zoom	Yes
Preset	300
Cruise	8 cruises, up to 16 presets for each cruises
Trace	4 traces, record time over 3 minutes for each trace
Power Off Memory	Support
Action Mode	Preset/Cruise/Trace/Auto Scan/Random Scan
3D Positioning	Support
PTZ Position Display	Support
Schedule Task	Preset/Cruise/Trace/Random Scan/ Boundary Scanning /Dome reboot

Network

Maximum Resolution	2560×1440
Main Stream	25fps (2560×1440, 2048×1536, 1920×1080, 1280×960, 1280×720); 30fps (2560×1440, 2048×1536, 1920×1080, 1280×960, 1280×720)
Sub Stream	25fps (704 ×576, 640 ×480, 352 ×288) 30fps (704 ×480, 640 ×480, 352 ×240)
Third Stream	25fps (1280 ×720, 704 ×576, 640 ×480, 352 ×288) 30fps (1280 ×720, 704 ×480, 640 ×480, 352 ×240)
Video Compression	Smart H.265+/H.265/H.264+/H.264/MJPEG
H.264 Encoder	H.264/AVC codec BP/MP/HP, level 5.1
H.265 Encoder	H.265/HEVC codec MP, level 5.0
Video Bit rate	64Kbps ~ 16Mbps
Audio Compression	G.711 A/U
Audio Bit rate	64Kbps
Protocols	HTTP, HTTPS, IPv4/IPv6, 802.1x, QoS, FTP, SMTP, UPnP, SNMP,DNS, DDNS, NTP, RTSP, RTCP, RTP, TCP/IP, UDP, IGMP, ICMP,DHCP, PPPoE
User / Host	Up to 16 users, 3 levels: Administrator, Advanced User and Normal User
Security Measures	User authentication (ID and PW), Host authentication (MAC address); HTTPS encryption, IEEE802.1x port-based network access control; IP address filtering

Specification

Others

Power	DC12V±20%, 2000mA, or PoE+ (802.3.at, class 3), AVG 3.3W, MAX14.9W at day; 18.9W at night (LED on+ Speaker on + PTZ working)
Working Conditions	-40°C ~ 65°C (-40°F ~ 149°F) IR off, -40°C ~ 55°C IR on; Cold start ≥ -25°C (1 Hour waiting), ≤ 90% RH
Storage Conditions	-40°C ~ 70°C ; ≤ 95% RH
Protection	6000V Lightning Protection, Surge Protection and Voltage Transient Protection
Material	Main body: Aluminum Alloy (ADC12), Decoration: Polymer (Glass fiber and Plastic)
Certification	IP66, IK10 (include lens window), ROHS, CE, FC, UKCA
Dimensions	130mm x 162mmH (5.1'x 6.4')
Weight	Approx. 2.1 Kg (13.22 lb.)
Languages	Czech; English, German; Hungarian; Italian; Japanese; Korean; Portuguese, Polish; Russian, Romanian, Spanish; Spanish (Mexico); Simplified Chinese; Turkish; Traditional Chinese. etc.

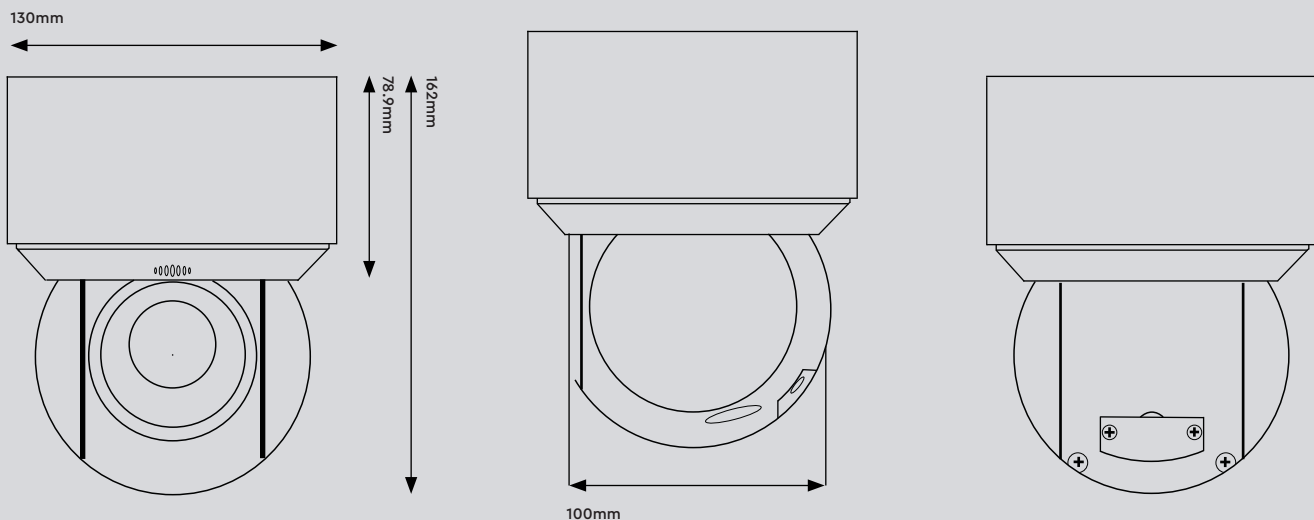
IR

IR Distance	Up to 50m, 4pcs of IR array into 2 groups, auto switch with zoom ratio
Smart IR	Yes
White Light Distance	Up to 30m, 2pcs of White LED Array
White Light Mode	Flashing mode, torque mode, time interval adjustable

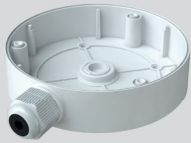
System Integration

Ext. Audio Interface	1-ch audio input (mic in), 2.0-2.4Vp-p, 1kΩ±10%; 1-ch audio output (line out), line level, impedance: 600 Ω;
Built-in speaker	Yes, One Speaker, 4Ω, 2.5Watt. Rotation with camera, up to 30m distance audible
Built-in MIC	1 channel, rotation with camera lens direction, up to 8m distance voice recordable.
Audio device switch	Default use built-in speaker and MIC, manually switch to external
Alarm Interface	1CH alarm input (Dry contact); 1CH alarm output
Audio Interface	None
Alarm Linkage	Alarm actions, such as Preset, Cruise, Trace, Memory Card Video Record, Trigger Recording, Notify Surveillance Center, Upload to FTP/ Memory Card, Send Email, etc.
Network Interface	1 RJ45 10M/100M Adaptive Ethernet (Support PoE+)
Storage Slot	Standalone memory card chamber, support micro SD/TF card, up to 256GB
Reset Button	Yes
Heat and Fan	Built-in temperature sensor, auto shut down at over-temperature; auto heat at cold start. No built-in fan.
Water Removal	Dust and Water-resistant coating
API	ONVIF, support SDK and third-party management platform
Client	N9000 1.4.5, NVMS 2.0; and the third-party client, free iOS and Android APP
Web Browser	IE8-11, plug-in free
App Version	5.1.1 and later

Dimensions



Accessories



WIP6FJB
Junction Box



WBMPW
Wall Mounting Bracket
- White



WIPMPM
Multi Purpose Pole Mount
Bracket - White



WMPM
Pole Mount Bracket -
White



WIPMPCM
Multi Purpose Corner
Mount Bracket - White