

WIPX4NEBVAF

EYEBALL CAMERA

4MP H.265 IP IR Eyeball Camera with 2.8–12mm Auto Focus Lens and Facial Recognition



Key Features

- 4MP (2592 × 1520) H.265 full real-time coding
- Maximum resolution: 2592 × 1520
- ICR auto switch, true day / night vision
- 30 ~ 50m IR night view distance
- Motorised zoom lens
- Supports image distortion correction
- 3D DNR, true WDR, HLC, BLC, Defog, NIR, Smart IR and ROI coding
- Built-in micro SD card slot, up to 128GB
- DC12V/PoE power supply
- IP67 ingress protection
- Supports three streams
- Support remote monitoring by smart phones & tablet PCs with iOS and Android OS
- Intelligent analytics
- Onvif compliant

The Genie WIPX4NEBVAF is a 4MP IP IR eyeball camera with a 2.8–12mm auto focus lens. The camera features intelligent analytics as well as facial recognition when paired with any Genie AI NVR.



genie

Specification

Camera

| | |
|----------------------|---|
| Image Sensor | 1 / 3" CMOS |
| Image Size | 2592 × 1520 |
| Electronic Shutter | 1 / 2s ~ 1 / 100000 s |
| Iris Type | DC Iris |
| Minimum Illumination | 0.005 lux@F1.6,AGC ON;0 lux with IR |
| Lens | 2.8~12mm@F1.3, motorised |
| Lens Mount | Ø14 |
| Field of View | Horizontal: 100.0°~28.9°; Vertical: 54.5°~16.7°; Diagonal: 104.8°~33.1° |
| Day & Night | ICR |
| Wide Dynamic Range | 120dB |
| BLC | Yes |
| HLC | Yes |
| Defog | Yes |
| S/N Ratio | ≥50dB |
| Digital NR | 3D DNR |
| Angle Adjustment | Pan: 0°~360°; Tilt:0°~80°; Rotation: 0°~360° |

Functions

| | |
|--------------------|--|
| Remote Monitoring | Web Browser, TVT NVMS2.0, NVR, mobile APP |
| Web Browser | IE11(plug-in required)/Chrome 89.0+/Edge 89.0+/Firefox 87.0+/Safari 14.0+ |
| Online Connection | Supports simultaneous monitoring for up to 10 users. Supports multi-stream real time transmission |
| Network Protocol | UDP, IPv4, IPv6, DHCP, NTP, RTSP, RTP, RTMP, RTCP, PPPoE, DDNS, SMTP, FTP, SNMP, HTTP, HTTP POST, 802.1x, UPnP, HTTPs, QoS |
| Interface Protocol | Onvif compatible |
| General Function | Watermark, video mask, heartbeat, image distortion correction, corridor pattern |
| Storage | Network remote storage; micro SD card storage |
| Smart Alarm | Motion detection, SD card error, SD card full |
| General Function | Watermark, IP address filtering, video mask, heartbeat, password protection |
| Security | Video encryption, firmware encryption, HTTPs encryption, configuration encryption, illegal login lock, IP address filtering, 802.1x authentication, basic and digest authentication for HTTP/HTTPs |
| PoE | Yes , IEEE802.3af |
| IR Distance | 30 ~ 50 m |
| Ingress Protection | IP67 |

Image

| | |
|----------------------------|--|
| Video Compression | Main stream: H.265+ / H.265 / H.264+ / H.264 Sub stream: H.265+ / H.265 / H.264+ / H.264 / MJPEG Third stream: H.265+ / H.265 / H.264+ / H.264 / MJPEG |
| H.265 Compression Standard | Baseline Profile, Main Profile, High Profile |
| Resolution | 4MP (2592 × 1520), 2K (2560 × 1440), 3MP (2304 × 1296), 1080P (1920 × 1080), 720P (1280 × 720), D1, CIF, 480 × 240 |
| Main Stream | 4MP, 2K, 3MP, 1080p, 720p (60Hz : 1 ~ 30fps, 50Hz: 1~25fps) HFR mode: 1080p, 720p (60Hz : 1 ~ 60fps, 50Hz: 1~50fps) |
| Sub Stream | 720p, D1, CIF, 480 × 240 (60Hz: 1~30fps, 50Hz: 1~25fps) |
| Third Stream | D1, CIF, 480 × 240 (60Hz: 1~30fps, 50Hz: 1~25fps) |
| Bit Rate | 64 Kbps ~ 8 Mbps |
| Bit Rate Type | VBR / CBR |
| Audio Compression | G711A / U |
| Image Settings | ROI, Saturation, Brightness, Hue, Contrast, Wide Dynamic, Sharpness, Image Mirror, Image Flip, NR, etc. adjustable through client software or web browser |
| ROI | Each ROI to be configured separately. |

Interface

| | |
|--------------|--|
| Network | RJ 45 10M/100M self-adaptive Ethernet port |
| Video Output | No |
| Audio | 1CH audio input; 1CH built-in MIC |
| Alarm | No |
| Storage | Built-in micro SD card slot; up to 256GB |
| Reset | Yes |

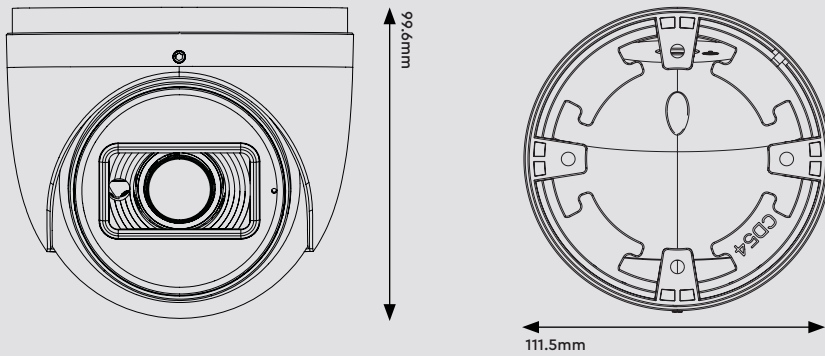
Intelligent Analytics

| | |
|----------------------|--|
| Perimeter Protection | Line crossing, region entrance/exiting/intrusion (human/motor vehicle/ non-motor vehicle classification) |
| Statistics | Target counting by line/area, heat map |
| Exception Detection | Scene change, video blur and abnormal color detection |
| Face Detection | Face detection and face capture |
| Other Events | Abandoned/missing object detection |
| Video Metadata | Simultaneously captures human body, motor vehicle and non-motor vehicle and extracts 13 human features, 5 motor vehicle features and 1 non-motor vehicle feature |

Others

| | |
|------------------------------|---|
| Power Supply | DC12V/PoE |
| Power Consumption | < 9.5W |
| Storage Conditions | - 30 °C ~ 65°C (-22°F~149°F), Humidity: less than 95 % (non-condensing) |
| Operating Environment | - 30 °C ~ 60°C (-22°F~140°F) Humidity: Less than 95% (Non-condensing) |
| Dimensions | Φ 111.5 × 99.6 |
| Weight | Approx. 0.67KG |

Dimensions



Accessories



WJBBVWP
Water Resistant Junction
Box - White



WJBEBV
Junction Box for Varifocal
and Auto Focus Eyeball
Cameras - White



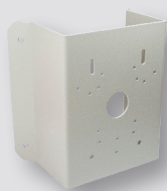
WIPSWM
Surface Mount Wall
Bracket (Junction Box NOT
included) - White



WBEBVW
Wall Bracket for Eyeball
Cameras - White



WIPMPM
Multi Purpose Pole Mount
Bracket - White



WIPMPCM
Multi Purpose Corner
Mount Bracket - White