

# 4MP Dual Stream IP PIR Camera

---

GIPW4NPIR



Quick Start Guide



Please read these instructions carefully before operating the unit and keep for further reference. All the examples and pictures used here are for reference only. The contents of this manual are subject to change without notice.

genie

## Introduction

The Genie GIPW4NPIR is an NDAA compliant, PIR with a 4MP IP camera pre installed. The camera is supplied with a 3.7mm pinhole lens and can be powered with either a 12v psu or a PoE switch / injector.

## Features

- 4MP resolution
- 1/ 3" 4MP CMOS sensor
- Smart H.265+/H.265/H.264+/H.264
- Dual streaming
- Support ROI
- Remote access from Mobile
- SD card up to 256g
- 5-10m invisible 36pcs IR
- Wi-Fi Device
- NDAA compliant
- POE/12V DC

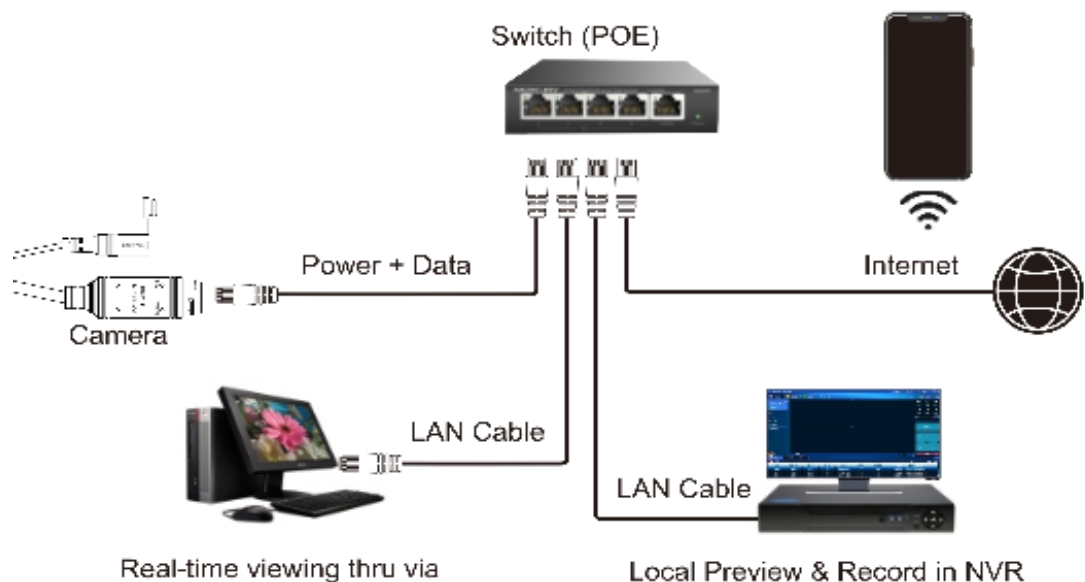
## Specifications

Camera	Image Sensor	1/3" CMOS 4 Megapixel Image Sensor
	Scan Method	Progressive Scan
	Elec. Shutter	Auto, Manual
	Colour Adjust	Bright / Contrast / Saturation / Sharpness
	Max. Resolution	2560(H) x 1440 (V)
	ROM / RAM	16MB / 64MB
	Min. Illumination	Colour: 0.001 Lux @ (F1.2, AGC ON); B/W: 0.0001 Lux @ (F1.2, AGC ON), 0 Lux with IR
	S/N Ratio	38 dB
	Illumination Distance	10m (IR) 36pcs SMD IR
	Illumination On/Off	Auto Manual
	Lens	3.7mm Pinhole
	Lens Field of View	95°
Network	Protocol	IPv4;HTTP; TCP/UDP;RTSP;DHCP;CGI
	ONVIF	(Profile S/ Profile T); P2P;
	Storage	Micro SD card (support max. 256g)
	Browser	Microsoft Edge, Chrome, Firefox, Safari
	Mobile	iOS; Android
Others	Operating Temperature	-10°C to +50°C /Less than 95% RH
	Storage Temperature	-20°C to +60°C /Less than 95% RH
	Power Supply	12V DC/PoE (802.3af )
	Power Consumptio	Basic: 4.96W
	Protection Grade	IP64
	Alarm	Motion Detection

Video	Compress Format	H.265 / H.264
	Resolution	4M (2560×1440);1080P (1920×1080); 720p (1280×720);D1 (720×576);CIF (352×288)
	Video Frame Rate	Main Stream: 2560×1440@ (25fps)/1080p (1920 × 1080)@ (25fps)/720p (1280 × 720)@(25fps) Sub Stream: 720 × 576@ (25fps)/ 352 × 288@(25 fps)
	Bit Rate Control	CBR / VBR
	Video Bit Rate	Main Stream: 512/1024/1536/2048/3072/4096 kbps Sub Stream: 512/1024 kbps
	Streaming	2 Streams
	Day & Night	Auto / Manual
	BLC	Yes
	HLC	Yes
	WDR	Yes (>100 dB)
	White Balance	Auto, Manual
	Gain Control	Auto, Manual
	Noise Reduction	3D NR
	Motion Detection	Yes (396 areas)
	Region of Interest (RoI)	Yes (8 areas)
	Smart Illumination	Yes
	Defog	Yes
	Image Mirror / Flip	Yes / Yes
Privacy Masking	Yes (5 areas)	

### POE Connect

Connect the camera to the power supply and NVR as shown below.



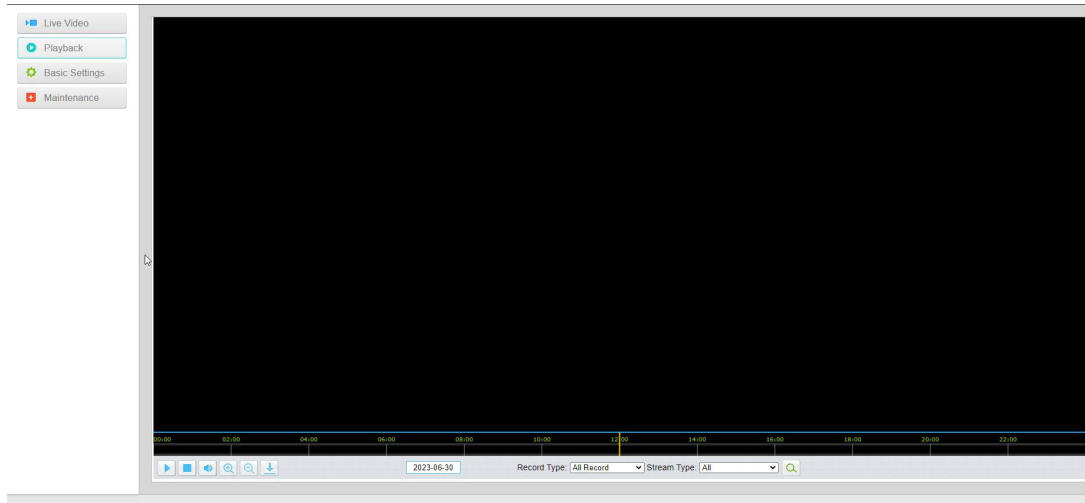
## Use of search tools

1. Connect the device to the power supply and network cable, then connect the computer to the local area network and open the IP55 application in the search tool.
2. After opening the application software, click "Network" in the upper left corner, select the network segment where the computer is located, and after confirming, you can search for devices in the local area network, and the device information is arranged in the list on the right.
3. Click the IP on the right to view the device ID, and then modify the IP on the device in the options below.
4. Enter the IP displayed by the device in the browser. Click the "Enter" button to enter the web interface on the device. Enter the default account: admin and password: 123456 to enter the preview interface of the device to view the real-time image of the device.
5. In the left column menu, you can operate a series of device parameters as shown in the figure.

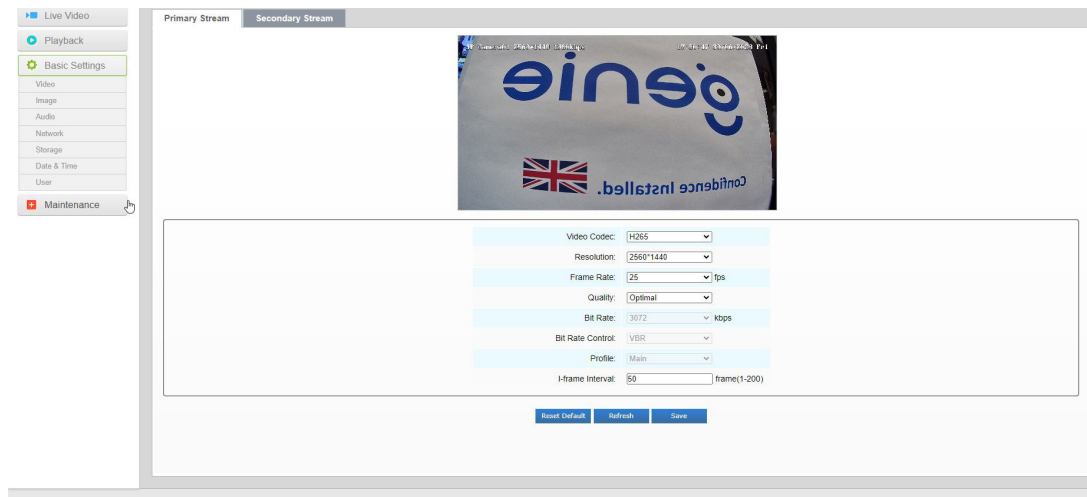
## Main/Substream:



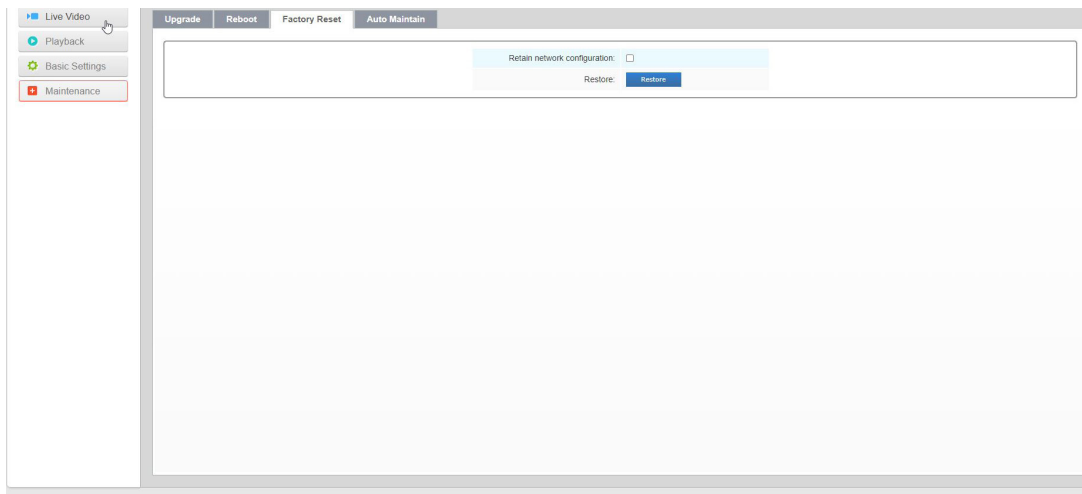
## Video playback:



### Parameter viewing and modification:



### Device upgrade, reboot, reset, maintenance:



**Sales** +44(0)1707 330541

**Enquiries** [sales@genieproducts.co.uk](mailto:sales@genieproducts.co.uk)

**Website** [www.genieproducts.co.uk](http://www.genieproducts.co.uk)

**genie**