

PWIP4NEBVAF

EYEBALL CAMERA

4MP H.265 IP IR Eyeball Camera with 2.8–12mm Auto Focus Lens



Key Features



- NDAA compliant
- 4MP (2560 × 1440) H.265 coding
- Maximum resolution: 2560 × 1440
- ICR auto switch, true day / night, ROI coding
- 3D DNR, digital WDR, HLC, BLC, defog
- 30~50m IR night view distance
- DC12V / PoE power supply
- 1CH built-in MIC
- IP67 ingress protection
- Supports remote monitoring by smart phones and tablet PCs with iOS and Android OS
- Supports three streams
- Intelligent analytics : Object removal detection, abnormal video signal detection, line crossing detection and region intrusion detection
- Onvif compliant

The Genie PWIP4NEBVAF is a 4MP IP IR eyeball camera with a 2.8–12mm auto focus lens. The camera also features up to 50m IR night view distance as well as being IP67.



Specification

Camera

Image Sensor	1 / 3 "CMOS
Image Size	2560 × 1440
Electronic Shutter	1 / 2 s ~ 1 / 100000 s
Iris Type	Fixed Iris
Minimum Illumination	0.005 lux @F1.6, AGC ON; 0 lux with IR
Lens	2.8~12mm@ F1.4 Horizontal : 92 °~31 °; Vertical: 48 °~17.2°; Diagonal: 112 °~ 35.6 ° Manual or motorized
Lens Mount	Ø14
Wide Dynamic Range	120dB
BLC	Yes
HLC	Yes
Defog	Yes
Digital NR	Yes
Angle Adjustment	Pan: 0°~360°, Tilt: 0°~80°, Rotation: 0°~360°

Image

Video Compression	Main stream: H.265 / Sub stream: H.265 / H.264 / MJPEG Third stream: H.265 / H.264 / MJPEG H.264
H.265 Compression Standard	Main Profile @ Level 4.1 High Tier
Resolution	4MP (2560 × 1440), 3MP (2304 × 1296), 1080p (1920 × 1080), 720p (1280 × 720), D1, CIF, 480 × 240
Main Stream	60Hz : 4MP / 3MP / 1080p (1~30fps) 50Hz : 4MP / 3MP / 1080p (1~25fps)
Sub Stream	60Hz: 720P/D1/CIF (1~30fps);50Hz: 720P/D1/CIF (1~25fps)
Third Stream	60Hz : D1 / CIF / 480 × 240 (1~30fps) 50Hz: D1 / CIF / 480 × 240 (1~25fps)
Bit Rate	64 Kbps ~ 8 Mbps
Bit Rate Type	VBR / CBR
Image Settings	ROI, Saturation, Brightness, Hue, Contrast, Wide Dynamic, Sharpness, Image Mirror, Image Flip, NR, etc. adjustable through client software or web browser
ROI	Each ROI to be configured separately

Functions

Remote Monitoring	Web browsing, CMS remote control
Online Connection	Supports simultaneous monitoring for up to 3 users. Supports multi-stream real time transmission
Network Protocol	UDP, IPv4, IPv6, DHCP, NTP, RTSP, PPPoE, DDNS, SMTP, FTP, 802.1x, UPnP, HTTP, HTTPS, QoS
Interface Protocol	Onvif compatible
Intelligent Analytics	Region intrusion detection, Object removal detection, Abnormal video detection, Line crossing detection
Storage	Network remote storage; micro SD card storage
Smart Alarm	Motion detection
General Function	Watermark, IP address filtering, video mask, heartbeat, password protection
PoE	Yes

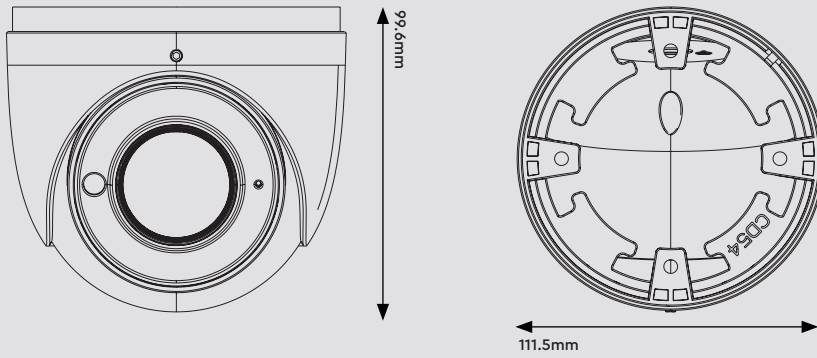
Interface

Network	RJ45
Video Output	No
Audio	1CH audio input; 1CH built-in MIC
Storage	Built-in micro SD card slot, up to 256GB
Hardware Reset	Yes

Others

Ingress Protection	IP67
Power Supply	DC12V / PoE
Power Consumption	< 8W
Operating Environment	- 30 °C ~ 60°C (-22°F~140°F) Humidity: Less than 95% (Non-condensing)
Dimensions	111.5 × 99.6 mm
Weight	Approximately 0.64Kg

Dimensions



Accessories



WJBBVWP
Water Resistant Junction
Box - White



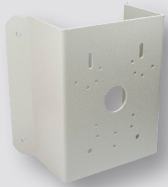
WJBEBV
Junction Box for Varifocal
and Auto Focus Eyeball
Cameras - White



WBEBVW
Wall Bracket for Eyeball
Cameras - White



WIPSWM
Surface Mount Wall
Bracket (Junction Box NOT
included) - White



WIPMPCM
Multi Purpose Corner
Mount Bracket - White



WIPMPPM
Multi Purpose Pole Mount
Bracket - White