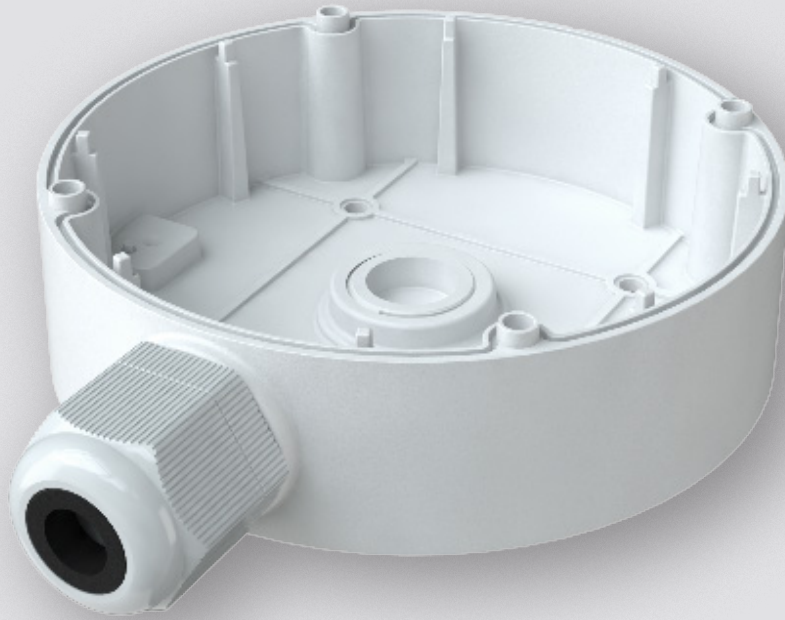


WJBVDV

# JUNCTION BOX

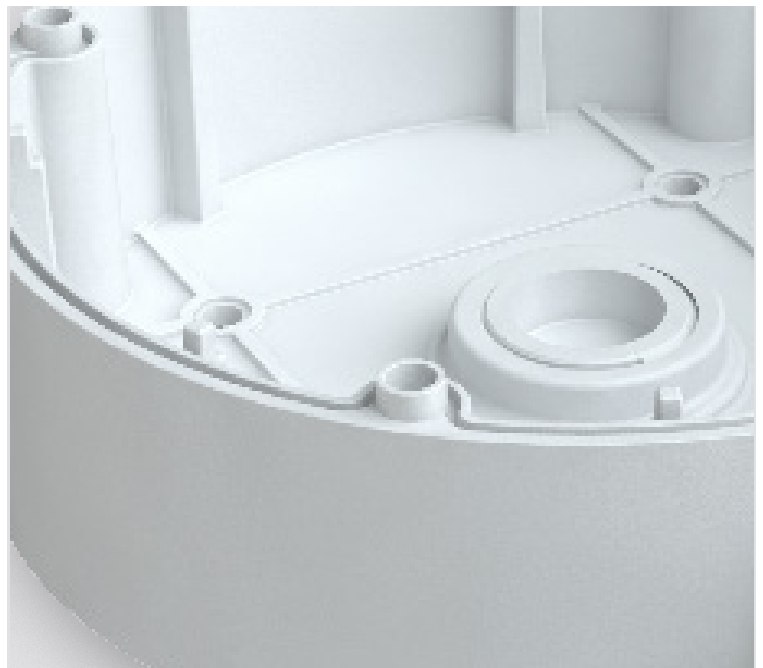
Junction Box for WIPX4VDVAF and WAHD2DVAF



## Key Features

- Aluminium alloy material with surface spray treatment
- Bottom inlet and side inlet
- Ceiling or wall mounting
- IP66 ingress protection

The Genie WJBVDV is a junction box for WIPX4VDVAF and WAHD2DVAF cameras only.



## Specification

<b>Material</b>	Aluminium alloy
<b>Colour</b>	White
<b>Ingress Protection</b>	IP66
<b>Working Temperature</b>	-40°C ~ +60°C (-40°F ~ +140°F)
<b>Working Humidity</b>	10% ~ 90%
<b>Load Bearing</b>	The wall must be strong enough to withstand at least 3 times the weight of the camera and the junction box.
<b>Dimensions</b>	139.3 x 41 mm
<b>Weight</b>	360g

## Dimensions

