

PWIP4NEB | PWIP4NEBG

EYEBALL CAMERA

4MP H.265 IP IR Eyeball Camera with 2.8mm Lens



ONVIF®

Key Features

- 4MP (2560 × 1440) H.265 coding
- Maximum resolution: 2560 × 1440
- ICR auto switch, true day / night, ROI coding
- 3D DNR, digital WDR, HLC, BLC, defog
- 20~30m IR night view distance
- DC12V / PoE power supply
- 1CH built-in MIC
- IP67 ingress protection
- Supports remote monitoring by smart phones and tablet PC's with iOS and Android OS
- Supports three streams
- Intelligent analytics : Object removal detection, abnormal video signal detection, line crossing detection and region intrusion detection
- Available in a white or grey finish
- Onvif compliant

The Genie PWIP4NEB and PWIP4NEBG are 4MP IP IR eyeball camera with a 2.8mm lens. The camera also features up to 30m IR night view distance as well as being IP67.



genie

Specification

Camera

Image Sensor	1 / 3 "CMOS
Image Size	2560 × 1440
Electronic Shutter	1 / 2s ~ 1 / 100000 s
Iris Type	Fixed Iris
Minimum Illumination	0.005 lux @F1.6, AGC ON 0 Lux with IR
Lens	2.8 mm @ F1.6, Horizontal field of view: 94° Vertical field of view: 50° Diagonal field of view: 115°
Lens Mount	M12
Wide Dynamic Range	Digital WDR
BLC	Yes
HLC	Yes
Defog	Yes
Digital NR	3D DNR
Angle Adjustment	Pan: 0°~360°, Tilt: 0°~75°, Rotation: 0°~360°

Image

Video Compression	H.265, H.264, MJPEG
H.265 Compression Standard	Main Profile @ Level 4.1 High Tier
Resolution	4MP (2560 × 1440), 3MP (2304 × 1296), 1080p (1920 × 1080), 720p (1280 × 720), D1, CIF, 480 × 240
Main Stream	60Hz : 4MP, 3MP, 1080p (1~30fps) 50Hz : 4MP, 3MP, 1080p (1~25fps)
Sub Stream	60Hz : 720P/D1/CIF (1~30fps) 50Hz : 720P/D1/CIF (1~25fps)
Bit Rate	64 Kbps ~ 8 Mbps
Bit Rate Type	VBR / CBR
Image Settings	ROI, Saturation, Brightness, Hue, Contrast, Wide Dynamic, Sharpness, Image Mirror, Image Flip, NR. Adjustable through client software or web browser
ROI	Each ROI to be configured separately

Functions

Remote Monitoring	Web browsing, CMS remote control
Online Connection	Supports simultaneous monitoring for up to 3 users. Supports multi-stream real time transmission
Network Protocol	UDP, DHCP, NTP, RTSP, RTP, RTCP, PPPoE, DDNS, SMTP, FTP, 802.1x, SNMP, UPnP, HTTP, HTTPS, QoS
Interface Protocol	Onvif compatible
Intelligent Analytics	Video blur detection, Line crossing detection, Region intrusion detection
Storage	Network remote storage, micro-SD card storage
Smart Alarm	Motion detection
General Function	Watermark, IP address filtering, video mask, heartbeat, password protection, corridor pattern
PoE	Yes
IR Distance	20 ~ 30 m

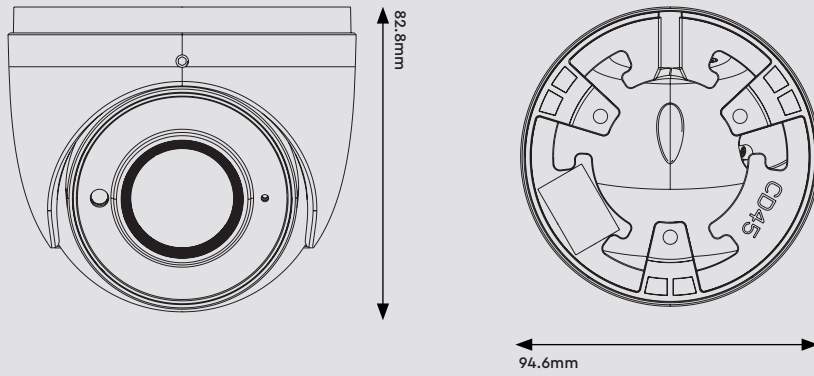
Interface

Network	RJ45
Video Output	No
Audio	Built-in MIC x1
Storage	Built-in micro-SD card slot, up to 256GB
Hardware Reset	Yes

Others

Ingress Protection	IP67
Power Supply	DC12V (PoE power supply optional)
Power Consumption	< 5 W
Operating Environment	- 30 °C ~ 60°C (-22°F~140°F) Humidity: Less than 95% (Non-condensing)
Dimensions	94.6 × 82.8 mm
Weight	Approximately 0.46Kg

Dimensions



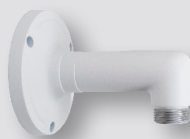
Accessories



WJBSBWP
Water Resistant Junction
Box for Varifocal Bullet
Cameras and Fixed
Eyeballs - White



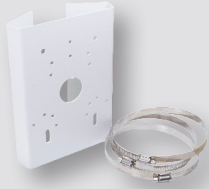
WIPSJB
Small Sized Junction Box
for Bullet and Eyeball
Cameras - White



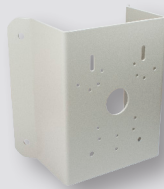
WIPSWM
Surface Mount Wall
Bracket (Junction Box NOT
included) - White



WBEBYW
Wall Bracket for Eyeball
Cameras - White



WIPMPM
Multi Purpose Pole Mount
Bracket - White



WIPMPCM
Multi Purpose Corner
Mount Bracket - White



WIPSCM
Ceiling Mount for Vandal
Resistant Domes (Requires
associated JB) - White