

# 2MP H.265 IP IR 4" 25x Optical Zoom PTZ Camera with Starlight and PoE

---

WIP2PTZ25P



Quick Start Guide

Please read these instructions carefully before operating the unit  
and keep for further reference.

genie

Please read this instruction carefully before operating the product and keep it for further reference. All examples and pictures used here are for reference only. The contents of this manual are subject to change without notice.

### **CAUTION:**

- If the product does not work properly, please contact your dealer or the nearest service centre. Never attempt to disassemble the camera yourself. We shall not be responsible for any problems caused by unauthorised repair or maintenance.
- Do not allow water or liquid into the camera while in use.
- When using the product, you must be in strict compliance with the electrical safety regulations of the nation and region.
- When the product is mounted on wall or ceiling, the device needs to be firmly fixed.
- Make sure the power supply voltage is correct before using the camera.
- Do not drop the camera or subject it to any physical shock.
- If cleaning, please use a clean soft cloth with a little neutral detergent to wipe it gently.
- Do not aim the camera at the sun or in any area where there is bright lighting.
- The device may be burned out by a laser beam, so when any laser equipment is in use, make sure that the surface of the device will not be exposed to the laser beam.
- Do not place the camera in extremely hot, cold, dusty or damp locations, and do not expose it to high electromagnetic radiation.
- To avoid heat accumulation, good ventilation is required for operating environment.

1.0 Introduction.....	4
1.1 Product Features.....	4
1.2 Product Dimensions .....	4
1.3 Specification.....	5
2.0 Overview.....	7
3.0 Installation.....	8
3.1 Micro SD Card Installation.....	8
3.2 Wall Mount Installation .....	9
3.3 Ceiling Mount Installation.....	10
4.0 Network Connection .....	11
5.0 Preset Description .....	12

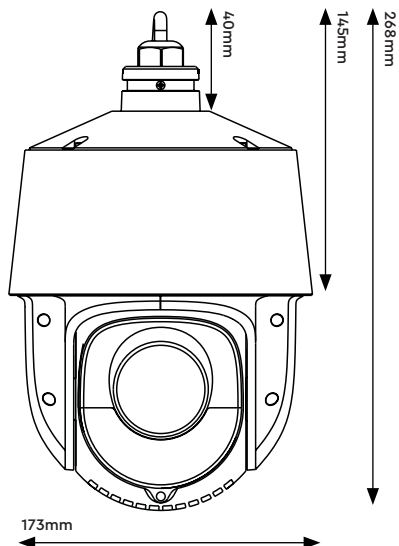
## 1.0 Introduction

The Genie WIP2PTZ25P is a powerful PTZ camera with accurate pan, tilt and zoom performance. The camera provides a wide monitoring range as well as a full 2MP high definition resolution at 25/30fps. The camera is rated IP66 which means it works well outdoors with effective protection against lightning. The camera also features AI functions such as face recognition, face comparison and tracking.

### 1.1 Product Features

- Face recognition
- Face comparison
- Target counting
- Alarm triggering by human or vehicle
- Smart human or vehicle tracking, manual tracking, auto tracking (via software setting)
- 1/2.8" progressive scan CMOS
- Up to 1920×1080 resolution
- Minimum illumination: Colour: 0.005 lux @ (F1.6 AGC ON) B&W: 0.001 lux@ (F1.6 AGC ON) 0 Lux with IR
- 25x optical zoom, 16x digital zoom
- 120 dB WDR, 3D DNR, Smart IR
- Smart IR with distance to 150m
- IP66 ingress protection
- Smart TM 1.0 (Thermal Management)
- Up to 150m IR distance
- Smart H.265/H.264 video compression
- 0.5Tops Deep-learning Engine
- Smart tracking of human/vehicle
- Smart detection and perimeter protection
- IP66,-30°C~55°C, ADC12 + PC/GF
- PoE+ (802.3.at, class 3) and DC12V
- API and SDK
- Requires WPTZWB bracket

### 1.2 Product Dimensions

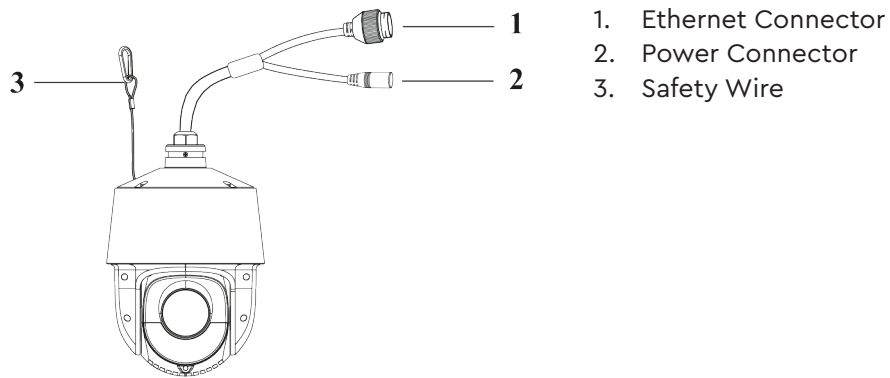


### 1.3 Specification

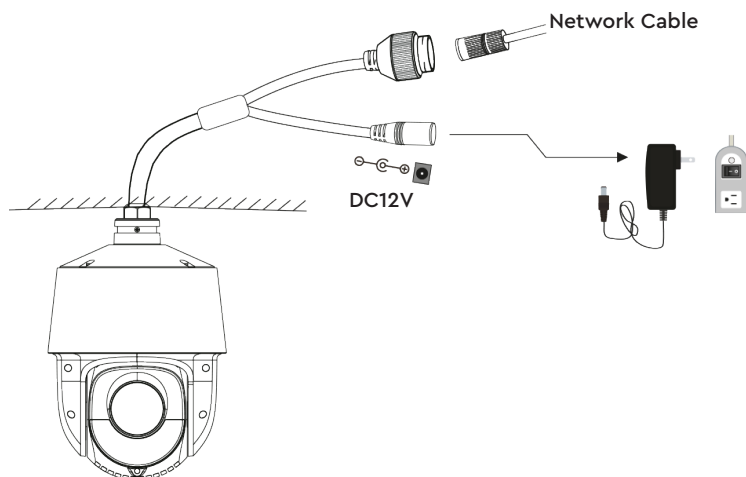
Camera	Image Sensor	1/2.8" progressive scan CMOS
	Minimum Illumination	Colour: 0.005 Lux @ (F1.65, AGC ON), B&W: 0.001Lux @(F1.65, AGC ON) 0 Lux with IR
	Image Setting	Flip, Mirror, Saturation, Brightness, Sharpness, AGC, and AWB adjusted by client software/browser
	Shutter Speed	1/1 s - 1/100,000 s
	White Balance	Auto/Manual/Indoor/Outdoor
	Gain	Auto/Manual
	Day & Night	IR Cut filter
	Digital Zoom	16x
	Privacy Mask	No
	3D DNR	Auto/Manual
	BLC	Yes
	HLC	Yes
	WDR	120 dB
	Defog	Electronic
	EIS	Yes
	Regional Exposure	No
Picture Overlay	Logo picture could be overlaid on video with 128x128pixels,24bits BMP format	
Lens	Focus Length	f=4.8-120mm lens,25x optical
	Zoom Speed	Approx. 3.6s (optical zoom, wide-tele)
	Field of View	Horizontal:57.6° to 2.5°(wide-tele) Vertical: 34.4° to 1.4°(wide-tele) Diagonal: 64.5° to 2.9°(wide-tele)
	Working Distance	Wide: 1.0m ~ INF, Tele: 1.5m ~ INF
	Aperture Range	F1.65 ~ F3.8 (Wide-tele)
Compression Standard	Pan Range	360°endless
	Pan Speed	Configurable, from 0.1~80°/s, Preset speed: 80°/s
	Tilt Range	From -5° to 90°
	Tilt Speed	Configurable, from 0.1°~ 80°/s, Preset speed: 80°/s
	Proportional Zoom	Yes
	Preset	360
	Cruise	8 cruises, up to 16 presets for each cruises
	Trace	4 traces, record time over 3 minutes for each trace
	Power Off Memory	Support
	Action Mode	Preset/Cruise/Track/Auto Scan/Random Scan
	3D Positioning	Support
PTZ Position Display	Support	
Schedule Task	Preset / Cruise / Track / Random Scan / Boundary Scanning / Dome reboot	

Network	Maximum Resolution	1920×1080
	Main Stream	1920×1080, 1280×720 25/30fps
	Sub Stream	25fps (720p, 704×576, 352×288) 30fps (720p, 704×480, 352×240)
	Third Stream	25fps (704×576, 640×480, 352×288) 30fps (704×480, 640×480, 352×240)
	SVC	Yes
	Video Compression	H.265/H.264/MJPEG
	Audio Enhancement	No
	Protocols	HTTP, HTTPS, IPv4/IPv6, 802.1x, QoS, FTP, SMTP, UPnP, SNMP,DNS, DDNS, NTP, RTSP, RTCP, RTP, TCP/IP, UDP, IGMP, ICMP,DHCP, PPPoE
	Simultaneous Live View	Up to 6 channels
	User / Host	Up to 16 users, 3 levels: Administrator, Advanced User and Normal User
	Security Measures	User authentication (ID and PW), Host authentication (MAC address); HTTPS encryption, IEEE802.1x port-based network access control, IP address filtering
Smart Features	Basic Event	Motion detection, video exception alarm, SD card full, SD card error
	Face Recognition	Default off, max 15 human faces per second
	Face Compare	Default off
	People Density	Not support by this version
	Smart Detection	Intrusion detection, Line crossing detection, Region entrance detection, Region exiting detection, Scene change detection, target counting, Support alarm triggering by human or vehicle, filtering flag/animal.
	Smart Tracking	Manual Tracking, Auto Tracking (human or vehicle by software setting)
System Integration	Alarm Interface	None
	Audio Interface	None
	Alarm Linkage	Alarm actions, Memory Card Video Record, Trigger Recording, Upload to FTP/Memory Card, Send Email, etc.
	Network Interface	1x RJ45 10M/100M Adaptive Ethernet (Support PoE 802.3.at)
	CVBS	None
	RS485	None
	Storage	On-Body memory card slot, support microSD/SDHC/SDXC, up to 256G
	API	Onvif compatible, support TVT SDK and 3rd party management platform
	Client	N9000 1.4.5, NVMS 2.0; and 3rd party client
	Web Browser	IE8-11, Chrome41.0-44, Firefox30.0-51, Safari8.0-11
IR	IR Distance	150m
	Smart IR	Yes
Others	Power	DC12V or PoE+ (802.3.at, class 3), (Max 22W, include IR on, Heater on, Fan working)
	Working Conditions	-30°C ~ 55°C (-22°F ~ 131°F), 90%RH less ( non-condensing), Cold start at - 20°C
	Storage Conditions	-40°C ~ 65°C ; ≤ 95% RH
	Protection	IP66, 4000V Lightning Protection, Surge Protection and Voltage Transient Protection
	Material	Aluminum Alloy, PC+GF10%
	Certification	IP66,ROHS,CE,FC
	Dimensions	Φ 173 × 268 mm
Weight	Approx. 2.1 Kg (13.22 lb.)	

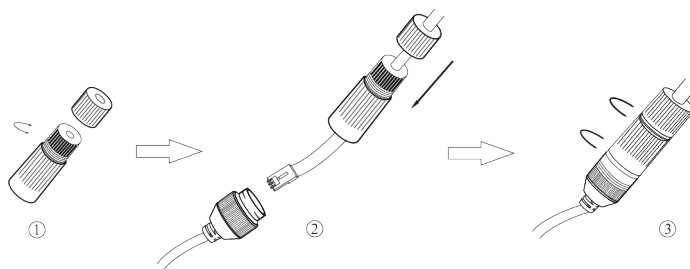
## 2.0 Overview



### Cable Connection



### Connecting Network Cable



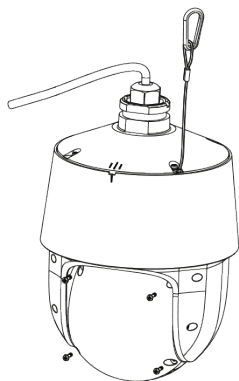
1. Loosen the nut from the main element.
2. Run the network cable (without RJ 45 connector) through both elements. Then crimp the cable with RJ 45 connector.
3. Connect the cable to the hermetic connector. Then tighten the nut and the main cover.

## 3.0 Installation

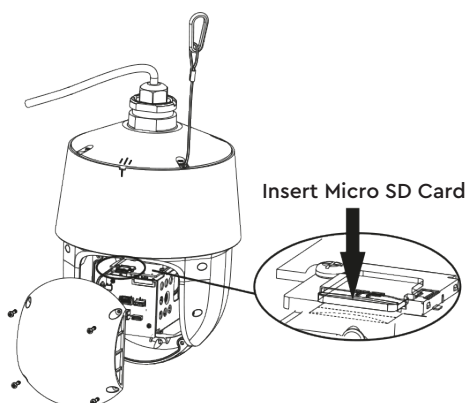
### 3.1 Micro SD Card Installation

This PTZ camera supports wall or ceiling mounting. Please select a way to install as needed. Also, please make sure the wall is strong enough to bear the dome camera's weight and the camera is powered off during installation. The following instructions are for reference only.

1. Loosen the four screws of the cover and then remove the cover.



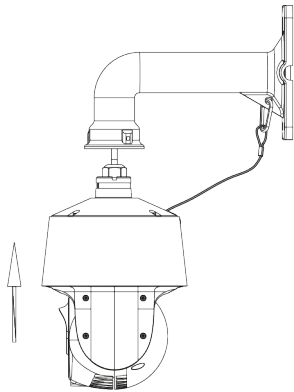
2. Insert a micro SD card as indicated below and then install the cover back.



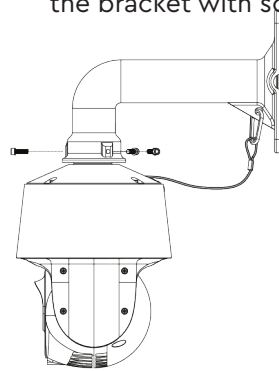


### 3.2 Wall Mount Installation

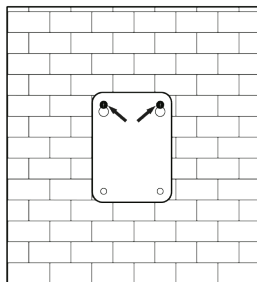
1. Pull the cables through the bracket.



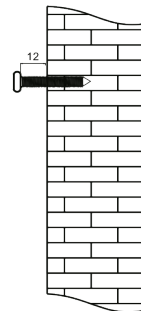
2. Secure the PTZ camera to the bracket with screws.



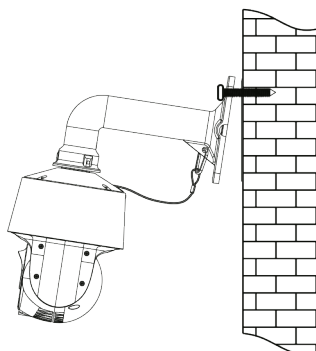
3. Drill the screw holes on the wall according to the drill template. Then insert the plastic plugs into the holes.



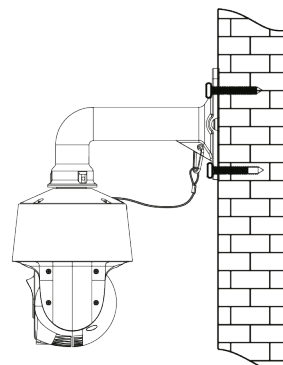
4. Insert two screws to the holes as indicated by the arrows (left) and leave 12mm clearance.



5. Connect the cables and then hang the bracket on the wall.

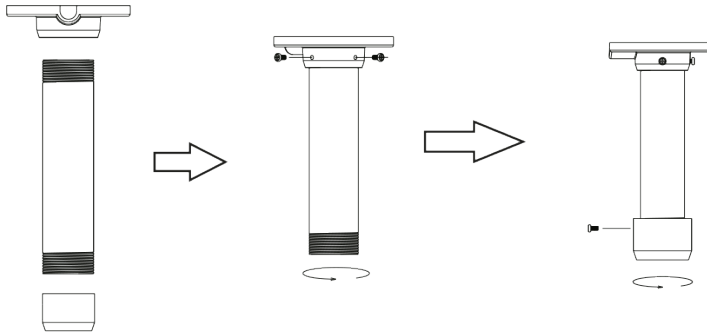


6. Attach the bracket to the wall with four screws.

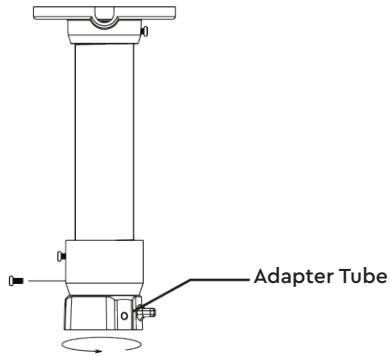


### 3.3 Ceiling Mount Installation

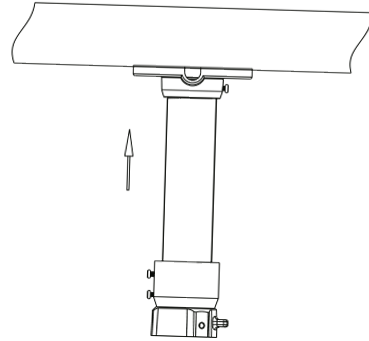
1. Install the ceiling mounting bracket according to the following diagram.



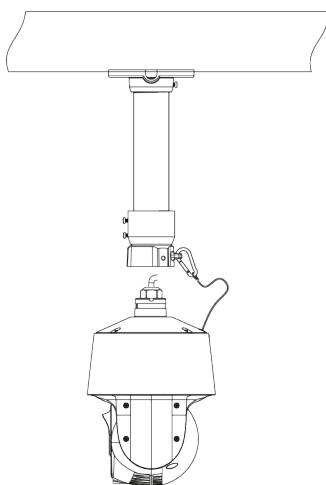
2. Mount the adapter tube to the bracket and secure it with a screw.



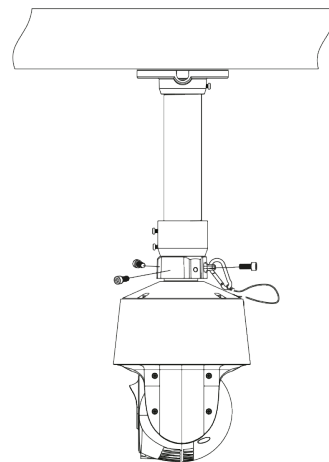
3. Secure the ceiling mounting bracket to the ceiling.



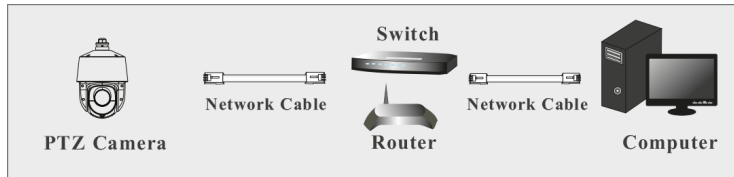
4. Connect cables and then hook the safety wire to the adapter tube.



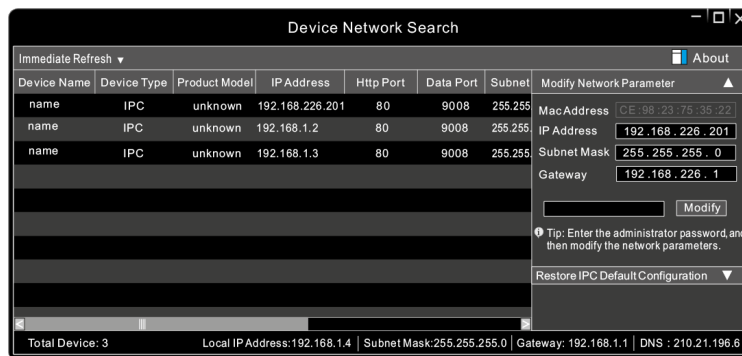
5. Fasten the PTZ camera to the adapter tube with screws firmly.



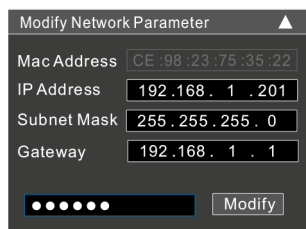
### Access the Camera through the IP Tool



1. Make sure that the camera and the PC are well connected via LAN.
2. Find the IP-Tool from the CD and then install it in the computer. After that, run the IP Tool as shown below.



3. Modify the IP address. The default IP address of this camera is 192.168.226.201. Click the information of the camera listed in the above table to show the network information on the right hand. Modify the IP address and gateway of the camera and make sure its network address is in the same local network segment as that of the computer. Please modify the IP address of your device according to the practical situation.



For example, the IP address of your computer is 192.168.1.4. So the IP address of the camera shall be changed to 192.168.1.X and the gateway shall be changed to 192.168.1.1. After modification, please enter the password of the administrator and click "Modify" button to modify the settings. The default password of the administrator is "123456".

4. Double-click the camera listed in the IP-Tool or manually enter the IP address in the address bar of the web browser to connect the PTZ. Then follow directions to download and install the plugin. Enter the username and password in the login interface. The default username is admin; the default password is 123456.

## 5.0 Preset Description

Call Preset	Call No. 90 Preset	Run track 1
	Call No. 91 Preset	Run cruise 1
	Call No. 92 Preset	Run cruise 2
	Call No. 93 Preset	Run cruise 3
	Call No. 94 Preset	Run cruise 4
	Call No. 95 Preset	OSD menu
	Call No. 97 Preset	Enable random scan
	Call No. 99 Preset	Enable P-PSCAN
Set Preset	Set No. 91 Preset	Set random scan(start scanning from preset 91)
	Set No. 92 Preset	Set left border of P-PSCAN
	Set No. 93 Preset	Set right border of P-PSCAN

**Sales** +44(0)1707 330541

**Enquiries** [sales@genieproducts.co.uk](mailto:sales@genieproducts.co.uk)

**Website** [www.genieproducts.co.uk](http://www.genieproducts.co.uk)

**genie**