

WIP2PTZ25P

PTZ CAMERA

2MP H.265 IP IR 4" 25x Optical Zoom PTZ Camera with Starlight and PoE



Key Features

- Face recognition
- Face comparison
- Target counting
- Alarm triggering by human or vehicle
- Smart human or vehicle tracking, manual tracking, auto tracking (via software setting)
- 1/2.8" progressive scan CMOS
- Up to 1920x1080 resolution
- Minimum illumination: Colour: 0.005 lux @ (F1.6 AGC ON) B&W: 0.001 lux@ (F1.6 AGC ON) 0 Lux with IR
- 25x optical zoom, 16x digital zoom
- 120 dB WDR, 3D DNR, Smart IR
- Smart IR with distance to 150m
- IP66 ingress protection
- Smart TM 1.0 (Thermal Management)
- Up to 150m IR distance
- Smart H.265/H.264 video compression
- 0.5Tops Deep-learning Engine
- Smart tracking of human/vehicle
- Smart detection and perimeter protection
- IP66, -30°C~55°C, ADC12 + PC/GF
- PoE+ (802.3.at, class 3) and DC12V
- API and SDK
- Requires WPTZWB bracket

The Genie WIP2PTZ25P is a powerful PTZ camera with accurate pan, tilt and zoom performance. The camera provides a wide monitoring range as well as a full 2MP high definition resolution at 25/30fps. The camera is rated IP66 which means it works well outdoors with effective protection against lightning. The camera also features AI functions such as face recognition, face comparison and tracking.



Specification

Camera

Image Sensor	1/2.8" progressive scan CMOS
Minimum Illumination	Colour: 0.005 Lux @ (F1.65, AGC ON), B&W: 0.001Lux @ (F1.65, AGC ON) 0 Lux with IR
Image Setting	Flip, Mirror, Saturation, Brightness, Sharpness, AGC, and AWB adjusted by client software/browser
Shutter Speed	1/1 s – 1/100,000 s
White Balance	Auto/Manual/Indoor/Outdoor
Gain	Auto/Manual
Day & Night	IR Cut filter
Digital Zoom	16x
Privacy Mask	No
3D DNR	Auto/Manual
BLC	Yes
HLC	Yes
WDR	120 dB
Defog	Electronic
EIS	Yes
Regional Exposure	No
Picture Overlay	Logo picture could be overlaid on video with 128x128pixels,24bits BMP format

Lens

Focus Length	f=4.8–120mm lens,25x optical
Zoom Speed	Approx. 3.6s (optical zoom, wide- tele)
Field of View	Horizontal:57.6° to 2.5°(wide-tele) Vertical: 34.4° to 1.4°(wide-tele) Diagonal: 64.5° to 2.9°(wide-tele)
Working Distance	Wide: 1.0m ~ INF, Tele: 1.5m ~ INF
Aperture Range	F1.65 ~ F3.8 (Wide-tele)

Compression Standard

Pan Range	360°endless
Pan Speed	Configurable, from 0.1~80°/s Preset speed: 80°/s
Tilt Range	From -5° to 90°
Tilt Speed	Configurable, from 0.1~ 80°/s, Preset speed: 80°/s
Proportional Zoom	Yes
Preset	360
Cruise	8 cruises, up to 16 presets for each cruises
Trace	4 traces, record time over 3 minutes for each trace
Power Off Memory	Support
Action Mode	Preset/Cruise/Track/Auto Scan/ Random Scan
3D Positioning	Support
PTZ Position Display	Support
Schedule Task	Preset / Cruise / Track / Random Scan / Boundary Scanning / Dome reboot

Network

Maximum Resolution	1920×1080
Main Stream	1920×1080, 1280×720 25/30fps
Sub Stream	25fps (720p, 704×576, 352×288) 30fps (720p, 704×480, 352×240)
Third Stream	25fps (704×576, 640×480, 352×288) 30fps (704×480, 640×480, 352×240)
SVC	Yes
Video Compression	H.265/H.264/MJPEG
Audio Enhancement	No
Protocols	HTTP, HTTPS, IPv4/IPv6, 802.1x, QoS, FTP, SMTP, UPnP, SNMP,DNS, DDNS, NTP, RTSP, RTCP, RTP, TCP/IP, UDP, IGMP, ICMP,DHCP, PPPoE
Simultaneous Live View	Up to 6 channels
User / Host	Up to 16 users, 3 levels: Administrator, Advanced User and Normal User
Security Measures	User authentication (ID and PW), Host authentication (MAC address); HTTPS encryption, IEEE802.1x port-based network access control, IP address filtering

Smart Features

Basic Event	Motion detection, video exception alarm, SD card full, SD card error
Face Recognition	Default off, max 15 human faces per second
Face Compare	Default off
People Density	Not support by this version
Smart Detection	Intrusion detection, Line crossing detection, Region entrance detection, Region exiting detection, Scene change detection, target counting, Support alarm triggering by human or vehicle, filtering flag/animal.
Smart Tracking	Manual Tracking, Auto Tracking (human or vehicle by software setting)

System Integration

Alarm Interface	None
Audio Interface	None
Alarm Linkage	Alarm actions, Memory Card Video Record, Trigger Recording, Upload to FTP/Memory Card, Send Email, etc.
Network Interface	1x RJ45 10M/100M Adaptive Ethernet (Support PoE 802.3.at)
CVBS	None
RS485	None
Storage	On-Body memory card slot, support microSD/SDHC/SDXC, up to 256G
API	Onvif compatible, support SDK and 3rd party management platform
Client	N9000 1.4.5, NVMS 2.0; and 3rd party client
Web Browser	IE8–11, Chrome41.0–44, Firefox30.0–51, Safari8.0–11

Specification

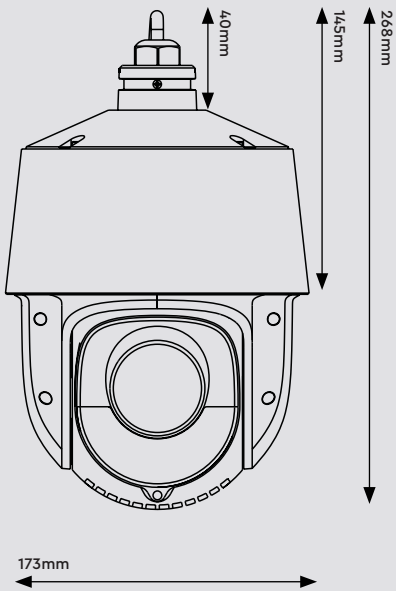
Others

Power	DC12V or PoE+ (802.3.at, class 3), (Max 22W, include IR on, Heater on, Fan working)
Working Conditions	-30°C ~ 55°C (-22°F ~ 131°F),90%RH less (non-condensing), Cold start at - 20°C
Storage Conditions	-40°C ~ 65°C ; ≤ 95% RH
Protection	IP66, 4000V Lightning Protection, Surge Protection and Voltage Transient Protection
Material	Aluminum Alloy, PC+GF10%
Certification	IP66,ROHS,CE,FC
Dimensions	Φ 173 × 268 mm
Weight	Approx. 2.1 Kg (13.22 lb.)

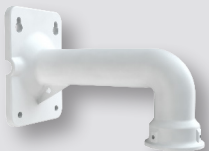
IR

IR Distance	150m
Smart IR	Yes

Dimensions



Accessories



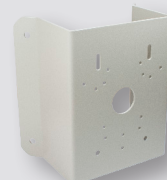
WPTZWB
Wall Bracket for
WIP2PTZ18P PTZ Dome
Camera - White



WIPPTZCB
Ceiling Mount Bracket for
WIP PTZ Cameras - White



WIPMPPM
Multi Purpose Pole Mount
Bracket - White



WIPMPCM
Multi Purpose Corner
Mount Bracket - White