

GAHD18IRPTZ

PTZ CAMERA

1080p AHD 18x Optical Zoom External 360° PTZ Camera with Wall Bracket



Key Features

- 18x optical zoom
- IP66 ingress protection
- 60m IR distance (in ideal Conditions)
- RS485 PTZ control
- Supports auto iris, electronic shutter, automatic white balance, backlight compensation
- 6 piece infrared lights
- Supports 220 presets, 8 patrols, 4 patterns
- 360° endless pan range and 0-90° tilt range
- PELCO-D/P communication protocols
- NDAA compliant

The Genie GAHD18IRPTZ is an AHD 18x optical zoom external 360° PTZ camera. With 360° endless pan range and 0-90° tilt range, the camera is suited to a wide range of environments.



genie

Specification

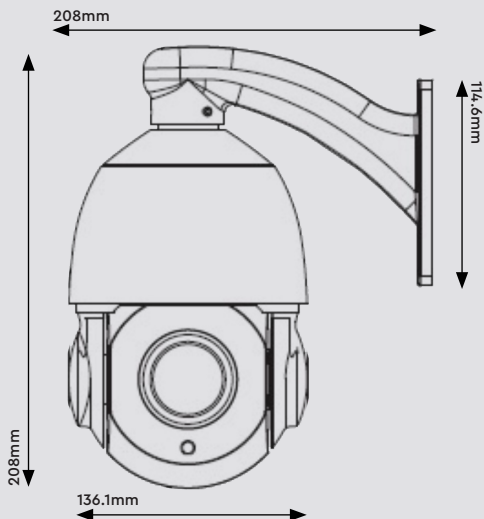
Camera

Image Sensor	1/2.8" Sony CMOS
Image	Flip / Mirror
Scanning System	Progressive scanning
Resolution	1920 × 1080
Electronic Shutter	1/25 ~ 1/10,000s
Minimum Illumination	Colour: 0.05 Lux / F2, B&W: 0.005 Lux / F2, 0 Lux (IR)
Optical Zoom	18x
S / N Ratio	> 50dB (AGC Off)
Exposure Mode	Auto
2D DNR	Supports
BLC	On / Off
Synchronous	Internal synchronisation
Day / Night Mode	Supports IR-CUT colour to black
Focus Mode	Auto / Manual
Gain Control	Auto / Manual
Lens Initialisation	Built-in
Focus Range	4.7 ~ 84.6mm (Wide-Tele)
Pan Angle	54.8° ~ 3.4° (Wide - Tele)

Others

Ingress Protection	IP66
Lightning Protection	TVS3000V lightning protection, surge protection and voltage transient protection
Power Supply	DC12V/2A
Power Consumption	Max. 20W (Not including the heat)
Working Environment	-20°C~-60°C, ≤90%RH (Frostless)
Dimensions	208 × 251.1 × 136.1 mm
Weight	4 Kg

Dimensions



PTZ

IR Distance	60m (in ideal conditions)
IR Angle	3 angle adjustable with zoom in/out
Pan Speed	0.6° ~ 180°/S
Tilt Speed	3.5° ~ 30°/S
Tilt Range	0° ~ 90°, Auto flip 180°
Manual Speed	High / Middle / Low for adjustable
Proportional Zoom	Supports
Preset	220
Patrol	4, each patrol can add 32 preset
Pattern	4, total record time more than 10mins
A.B Preset Scan	Supports
Park Function	Supports, can select preset, patrol, pattern, A.B scan, pan auto running
BNC Output	AHD / CVI / TVI / CVBS (1Vp-p 75Ω, PAL / NTSC, BNC
Communication Protocols	PELCO-D/P
ID	1-255
Baud Rate (RS485)	2400/4800/9600bps/auto identify