

# 4MP H.265 IP IR Flat Mini Dome with 2.8mm Lens and Facial Recognition

---

WIPX4FD



Quick Start Guide

Please read these instructions carefully before operating the unit  
and keep for further reference.

Please read this instruction carefully before operating the product and keep it for further reference. All examples and pictures used here are for reference only. The contents of this manual are subject to change without notice.

### **CAUTION:**

- If the product does not work properly, please contact your dealer or the nearest service centre. Never attempt to disassemble the camera yourself. We shall not be responsible for any problems caused by unauthorised repair or maintenance.
- Do not allow water or liquid into the camera while in use.
- When using the product, you must be in strict compliance with the electrical safety regulations of the nation and region.
- When the product is mounted on wall or ceiling, the device needs to be firmly fixed.
- Make sure the power supply voltage is correct before using the camera.
- Do not drop the camera or subject it to any physical shock.
- If cleaning, please use a clean soft cloth with a little neutral detergent to wipe it gently.
- Do not aim the camera at the sun or in any area where there is bright lighting.
- The device may be burned out by a laser beam, so when any laser equipment is in use, make sure that the surface of the device will not be exposed to the laser beam.
- Do not place the camera in extremely hot, cold, dusty or damp locations, and do not expose it to high electromagnetic radiation.
- To avoid heat accumulation, good ventilation is required for operating environment.

1.0 Introduction.....	4
1.1 Product Features.....	4
1.2 Product Dimensions .....	4
1.3 Contents .....	4
1.4 Specification .....	5
2.0 Overview.....	7
3.0 Installation.....	8
4.0 Network Connection .....	10
5.0 Camera Maintenance.....	11

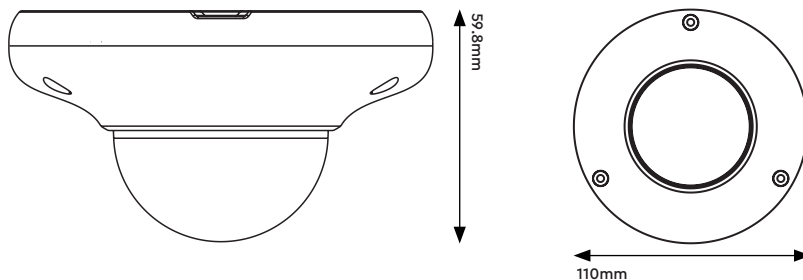
## 1.0 Introduction

The Genie WIPX4FD is a 4MP IP IR flat mini dome camera with a 2.8-12mm lens. The camera features intelligent analytics as well as facial recognition when paired

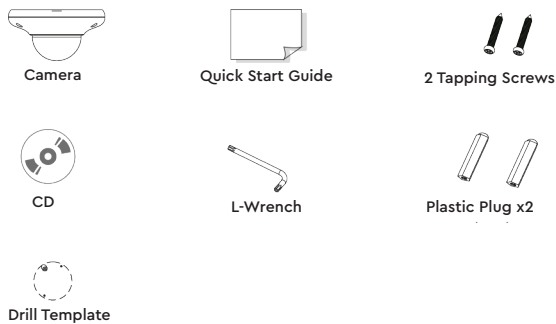
### 1.1 Product Features

- 4MP (2592 × 1520 ) H.265 full real time coding
- Maximum resolution: 2592 × 1520
- ICR auto switch, true day / night vision
- 10 ~ 20m IR night view distance
- 3D DNR, true WDR, HLC, BLC, Defog, NIR, Smart IR and ROI coding
- Support image distortion correction
- Built-in micro SD card slot, up to 128GB
- DC12V/PoE power supply
- IP66 ingress protection
- Supports three streams
- Intelligent analytics
- Supports remote monitoring by smart phones & tablet PC's with iOS and Android OS
- Onvif compliant

### 1.2 Product Dimensions



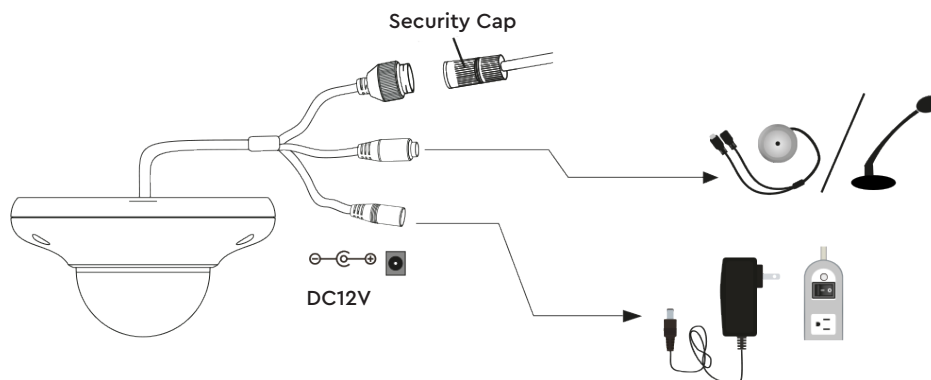
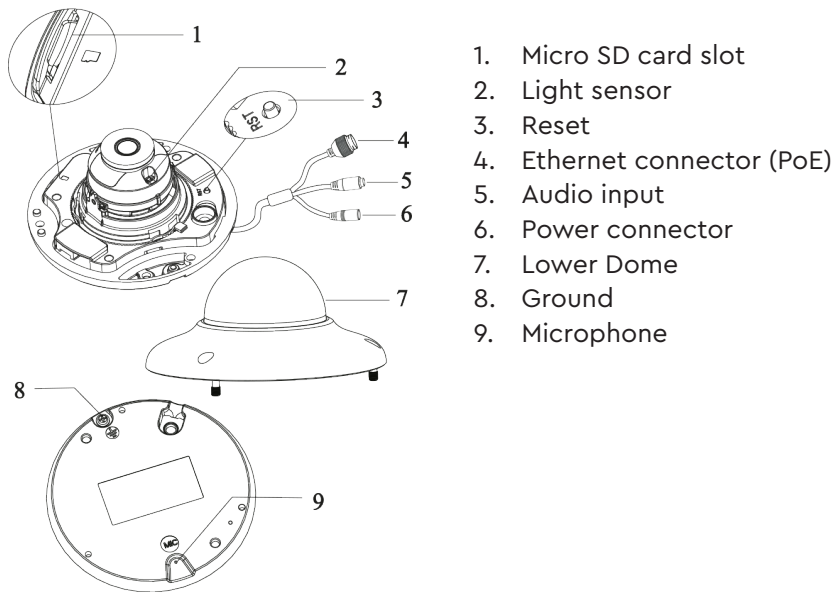
### 1.3 Contents



### 1.4 Specification

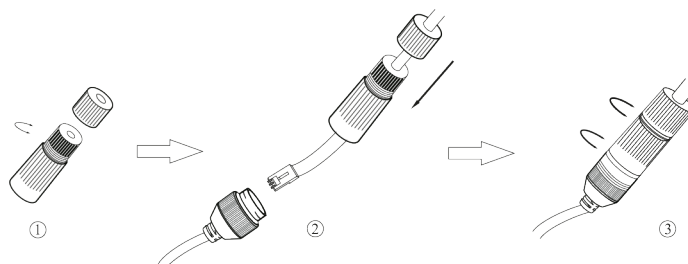
Camera	Image Sensor	1 / 3 "CMOS	
	Image Size	2592 × 1520	
	Electronic Shutter	1 / 30 s ~ 1 / 100000 s	
	Iris Type	Fixed Iris	
	Minimum Illumination	0.005 Lux @ F1.6,AGC ON, 0 Lux with IR 0.0028 Lux @ F1.2,AGC ON, 0 Lux with IR	
	Lens	2.8 mm @ F1.6	
	Lens Mount	M12	
	Focus	Fixed	
	Field of View	Horizontal: 100.4°, Vertical: 68°, Diagonal: 108	
	Day & Night	ICR	
	Wide Dynamic Range	120dB	
	BLC	Yes	
	HLC	Yes	
	Defog	Yes	
	Digital NR	3D DNR	
	Angle Adjustment	Pan: 0°~360°, Tilt:0°~70°, Rotation: 0°~350°	
Image	Video Compression	H.265 / H.264 / MJPEG	
	H.265 Compression Standard	Main Profile @ Level 4.1 High Tier	
	Resolution	1080p (1920 × 1080), 720p (1280 × 720), D1, CIF, 480 × 240	
	Main Stream	60Hz : 1080p / 720p (1~30fps), 50Hz : 1080p / 720p (1~25fps)	
	Sub Stream	60Hz : D1 / CIF / 480 × 240 (1~30fps), 50Hz: D1 / CIF / 480 × 240 (1~25fps)	
	Bit Rate	64 Kbps ~ 6 Mbps	
	Bit Rate Type	VBR / CBR	
	Audio Compression	G711A / U	
	Image Settings	ROI, Saturation, Brightness, Chroma, Contrast, Wide Dynamic, Sharpen, NR,etc. Adjustable through client software or web browser	
	ROI	Each ROI to be configured separately	
Functions	Remote Monitoring	Web browsing, CMS remote control	
	Online Connection	Supports simultaneous monitoring for up to 10 users. Supports multi-stream real time transmission	
	Network Protocol	UDP, IPv4, IPv6 DHCP, NTP, RTSP, PPPoE, DDNS, SMTP, FTP, SNMP, HTTP, 802.1x, UPnP, HTTPS, QoS	
	Intelligent Analytics		Line crossing
			Region entrance / exiting /intrusion (human / motor vehicle / non-motor vehicle classification)
			Line crossing human / motor vehicle / non-motor vehicle counting
			Scene change, video blur and video colour cast detection
		Face recognition and face capture	
	Storage	Network remote storage, Micro SD card storage	
	Smart Alarm	Motion detection, SD card error, SD card full	
	General Function	Watermark, IP address filtering, video mask, heartbeat, illegal login lock	
PoE	Yes , IEEE802.3af		
IR Distance	10 ~ 20 m		

Interface	Network	RJ45
	Video Output	No
	Audio	1CH audio input, 1 CH built-in MIC
	Alarm	No
	Storage	Built-in Micro SD card slot, Up to 128GB
	Hardware Reset	Yes
Others	Ingress Protection	IP66
	Power Supply	DC12V / PoE
	Power Consumption	< 6W
	Operating Environment	- 30 °C ~ 60°C (-22°F~140°F) Humidity: Less than 95% (Non-condensing)
	Dimensions	110 × 59.8 mm
	Weight	Approximately 0.38Kg



- It is recommended to install the security cap for outdoor installation.
- If the PoE switch is used to power the camera, DC12V power supply is not required.

### Connecting Network Cable

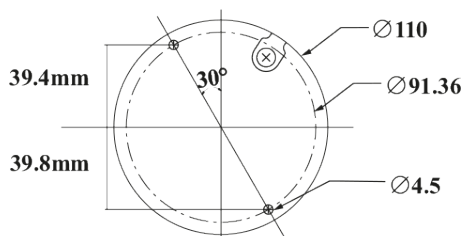


1. Loosen the nut from the main element.
2. Run the network cable (without RJ 45 connector) through both elements. Then crimp the cable with RJ 45 connector.
3. Connect the cable to the hermetic connector. Then tighten the nut and the main cover.

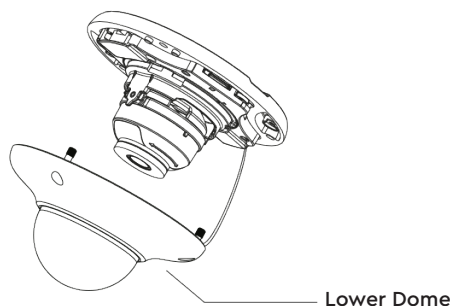
## 3.0 Installation

Please make sure that the wall or ceiling is strong enough to withstand 3 times the weight of the camera. Please install the camera in and under a dry environment.

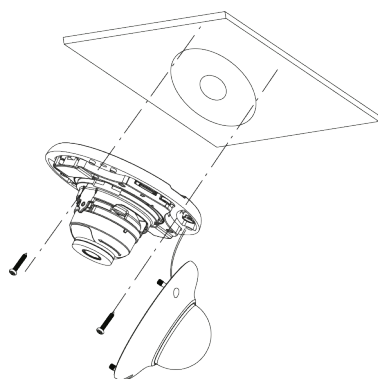
1. Drill the screw holes and the cable hole on the wall according to the drill template.



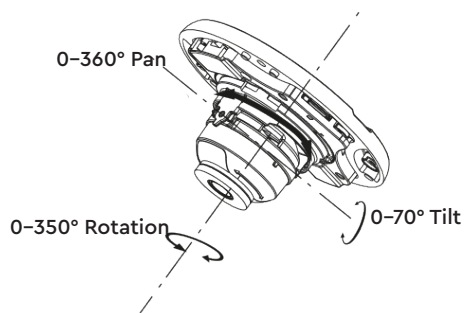
2. Loosen the screws to remove the lower dome from the camera.



3. Route and connect the cables.
4. Secure the mounting base with camera to the wall with screws as shown below.

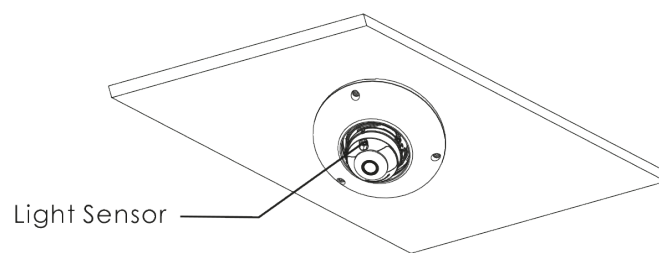


5. Three-axis adjustment. Before adjustment, preview the image of the camera on a monitor and then adjust the camera according to the figure below to get an optimum angle.



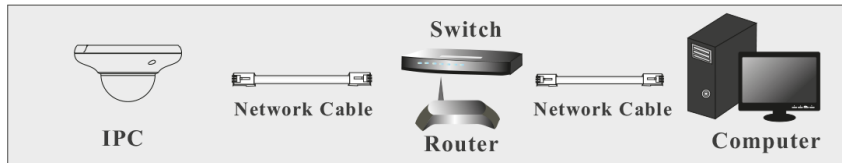


6. Replace the lower dome to the camera and make sure the light sensor can be seen from the outside. If the light sensor is hidden, please re-adjust the lens. After that, fix the lower dome with the screws.

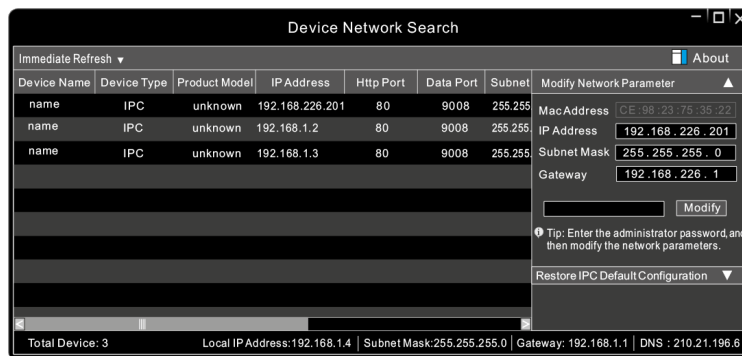


## 4.0 Network Connection

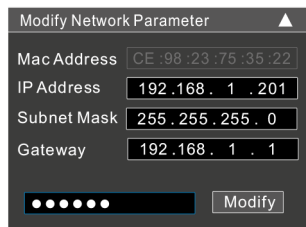
### Access the Camera through the IP Tool



1. Make sure that the camera and the PC are well connected via LAN.
2. Find the IP-Tool from the CD and then install it in the computer. After that, run the IP Tool as shown below.



3. Modify the IP address. The default IP address of this camera is 192.168.226.201. Click the information of the camera listed in the above table to show the network information on the right hand. Modify the IP address and gateway of the camera and make sure its network address is in the same local network segment as that of the computer. Please modify the IP address of your device according to the practical situation.



For example, the IP address of your computer is 192.168.1.4. So the IP address of the camera shall be changed to 192.168.1.X and the gateway shall be changed to 192.168.1.1. After modification, please enter the password of the administrator and click "Modify" button to modify the settings. The default password of the administrator is "123456".

4. Double-click the camera listed in the IP-Tool or manually enter the IP address in the address bar of the web browser to connect IP-CAM. Then follow directions to download and install the plugin. Enter the username and password in the login interface. The default username is admin; the default password is 123456.

## 5.0 Camera Maintenance

---

Transparent dome is an optical element. As dirt, dust or fingerprints on the dome will reduce the clarity of the image, please don't touch or wipe the cover surface directly during installation and use. Please refer to the following cleaning tips to clean it.

- If there is dust on the dome, please use a dry soft brush to gently brush it
- If there is water or grease on the dome, please gently wipe off the water drop or grease with a soft cloth and then use oil-free cotton cloth with the neutral detergent to wipe it several times from the center to outward. Finally, change the cloth to dry it.
- If there are fingerprints on the dome, please use oil-free cotton cloth or paper soaked with the neutral detergent to wipe it several times from the center to outward and then dry it with a soft cloth.

**Sales** +44(0)1707 330541

**Enquiries** [sales@genieproducts.co.uk](mailto:sales@genieproducts.co.uk)

**Website** [www.genieproducts.co.uk](http://www.genieproducts.co.uk)

**genie**