

# 4MP H.265 IP IR Eyeball Camera with 2.8–12mm Auto Focus Lens and Facial Recognition

---

WIPX4EBVAF



Quick Start Guide

Please read these instructions carefully before operating the unit  
and keep for further reference.

Please read this instruction carefully before operating the product and keep it for further reference. All examples and pictures used here are for reference only. The contents of this manual are subject to change without notice.

### **CAUTION:**

- If the product does not work properly, please contact your dealer or the nearest service centre. Never attempt to disassemble the camera yourself. We shall not be responsible for any problems caused by unauthorised repair or maintenance.
- Do not allow water or liquid into the camera while in use.
- When using the product, you must be in strict compliance with the electrical safety regulations of the nation and region.
- When the product is mounted on wall or ceiling, the device needs to be firmly fixed.
- Make sure the power supply voltage is correct before using the camera.
- Do not drop the camera or subject it to any physical shock.
- If cleaning, please use a clean soft cloth with a little neutral detergent to wipe it gently.
- Do not aim the camera at the sun or in any area where there is bright lighting.
- The device may be burned out by a laser beam, so when any laser equipment is in use, make sure that the surface of the device will not be exposed to the laser beam.
- Do not place the camera in extremely hot, cold, dusty or damp locations, and do not expose it to high electromagnetic radiation.
- To avoid heat accumulation, good ventilation is required for operating environment.

1.0 Introduction.....	4
1.1 Product Features.....	4
1.2 Product Dimensions .....	4
1.3 Contents .....	4
1.4 Specification .....	5
2.0 Overview.....	7
3.0 Installation.....	9
4.0 Network Connection .....	11

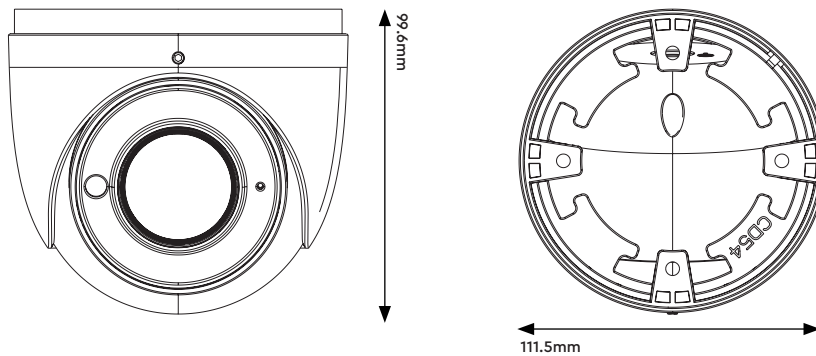
## 1.0 Introduction

The Genie WIPX4EBVAF is a 4MP IP IR eyeball camera with a 2.8–12mm auto focus lens. The camera features intelligent analytics as well as facial recognition when paired with any Genie AI NVR.

### 1.1 Product Features

- 4MP (2592 × 1520) H.265 full real-time coding
- Maximum resolution: 2592 × 1520
- ICR auto switch, true day / night vision
- 30 ~ 50m IR night view distance
- Motorised zoom lens
- Supports image distortion correction 3D DNR, true WDR, HLC, BLC, Defog, NIR, Smart IR and ROI coding
- Built-in micro SD card slot, up to 128GB
- DC12V/PoE power supply
- IP67 ingress protection
- Supports three streams
- Support remote monitoring by smart phones & tablet PCs with iOS and Android OS
- Intelligent analytics
- Onvif compliant

### 1.2 Product Dimensions



### 1.3 Contents

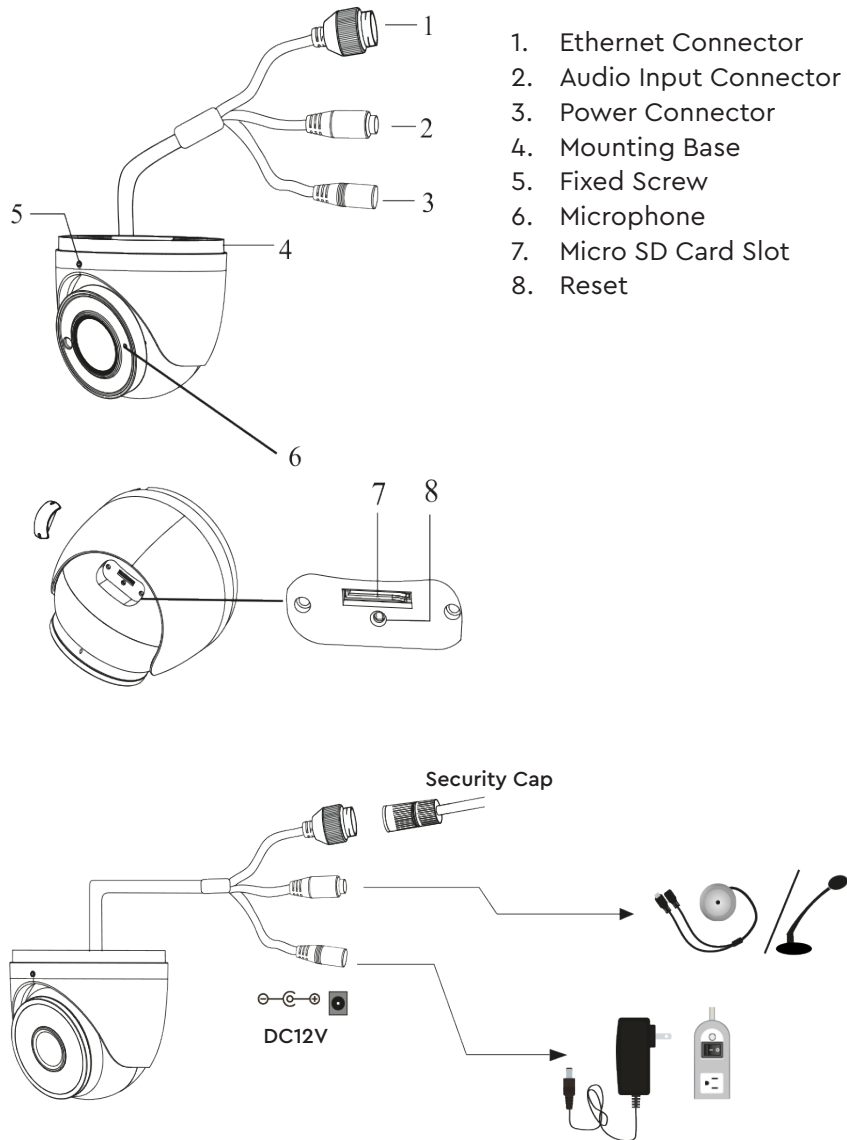


### 1.4 Specification

Camera	Image Sensor	1 / 3" CMOS	
	Image Size	2592 × 1520	
	Electronic Shutter	1 / 30 s ~ 1 / 100000 s	
	Iris Type	DC Iris	
	Minimum Illumination	0.0038 Lux @ F1.4, AGC ON, 0 Lux with IR 0.0028 Lux @ F1.2, AGC ON, 0 Lux with IR	
	Lens	2.8~12mm @ F1.4, motorised	
	Lens Mount	Φ14	
	Field of View	Horizontal: 94.2°~29.8°, Vertical: 62.4°~17, Diagonal: 102°~33.9°	
	Day & Night	ICR	
	Wide Dynamic Range	120dB	
	BLC	Yes	
	HLC	Yes	
	Defog	Yes	
	Digital NR	3D DNR	
	Angle Adjustment	Pan: 0°~360°, Tilt: 0°~80°, Rotation: 0°~360°	
Image	Video Compression	Smart H.265, H.265+, H.265, Smart H.264, H.264+, H.264, MJPEG	
	H.265 Compression Standard	Baseline Profile, Main Profile, High Profile	
	Resolution	4MP (2592 × 1520), 2K (2560 × 1440), 3MP (2304 × 1296), 1080p (1920 × 1080), 720p (1280 × 720), D1, CIF, 480 × 240	
	Main Stream	4MP, 2K, 3MP, 1080p, 720p (60Hz : 1 ~ 30fps, 50Hz: 1~25fps) HFR mode: 1080p, 720p (60Hz : 1 ~ 60fps, 50Hz: 1~50fps)	
	Sub Stream	720p, D1, CIF, 480 × 240 (60Hz: 1~30fps, 50Hz: 1~25fps)	
	Third Stream	D1, CIF, 480 × 240 (60Hz: 1~30fps, 50Hz: 1~25fps)	
	Bit Rate	64 Kbps ~ 8 Mbps	
	Bit Rate Type	VBR / CBR	
	Audio Compression	G711A / U	
	Image Settings	ROI, Saturation, Brightness, Chroma, Contrast, Wide Dynamic, Sharpen, NR, etc. Adjustable through client software or web browser	
ROI	Each ROI to be configured separately.		
Functions	Remote Monitoring	Web browsing, CMS remote control	
	Online Connection	Supports simultaneous monitoring for up to 10 users. Supports multi-stream real time transmission	
	Network Protocol	UDP, IPv4, IPv6, DHCP, NTP, RTSP, PPPoE, DDNS, SMTP, FTP, SNMP, 802.1x, UPnP, HTTPs, QoS	
	Interface Protocol	Onvif compatible	
	Intelligent Analytics		Line crossing
			Region entrance / exiting / intrusion (human / motor vehicle / non-motor vehicle classification)
			Line crossing human / motor vehicle /non-motor vehicle counting scene change
			Video blur and video colour cast detection
		Face recognition and face capture	
	Storage	Network remote storage, Micro SD card storage	
	Smart Alarm	Motion detection, SD card error, SD card full	
	General Function	Watermark, IP address filtering, video mask, heartbeat, password protection	
PoE	Yes (IEEE802.3af)		
IR Distance	30 ~ 50 m		

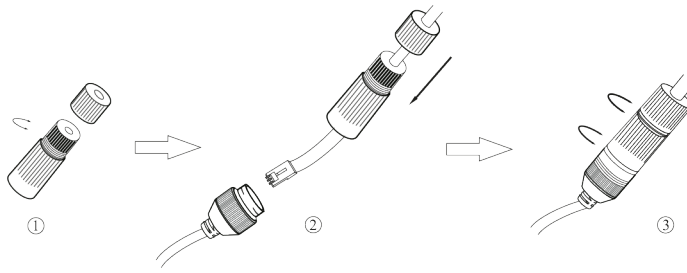
Interface	Network	RJ45
	Video Output	No
	Audio	1CH audio input, 1CH built-in MIC
	Alarm	No
	Storage	Built-in micro SD card slot, up to 128GB
	Hardware Reset	Yes
Others	Ingress Protection	IP67
	Power Supply	DC12V / PoE
	Power Consumption	< 9.5W
	Operating Environment	- 30 °C ~ 60°C (-22°F~140°F) Humidity: Less than 95% (Non-condensing)
	Dimensions	111.5 × 99.6 mm
	Weight	Approximately 0.67Kg

## 2.0 Overview



- It is recommended to install the security cap for outdoor installation.
- If the PoE switch is used to power the camera that supports PoE power supply, DC12V power supply is not required.

### Connecting Network Cable



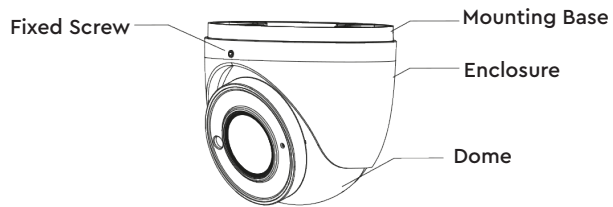
1. Loosen the nut from the main element.
2. Run the network cable (without RJ 45 connector) through both elements. Then crimp the cable with RJ 45 connector.
3. Connect the cable to the hermetic connector. Then tighten the nut and the main cover.



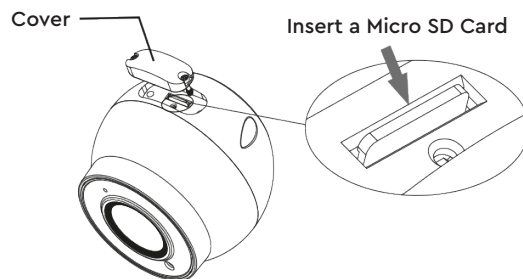
## 3.0 Installation

Please make sure that the wall or ceiling is strong enough to withstand 3 times the weight of the camera. Please install the camera in and under a dry environment.

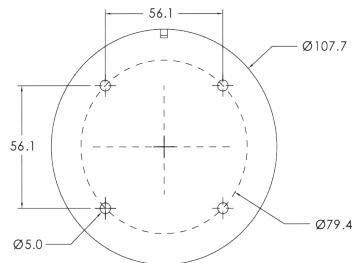
1. Loosen the fixed screw to disassemble the camera.



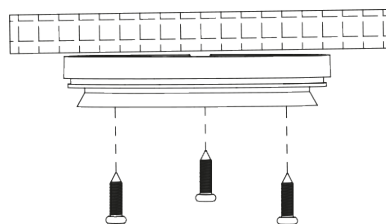
2. Open the cover of the dome and then insert a micro SD card.



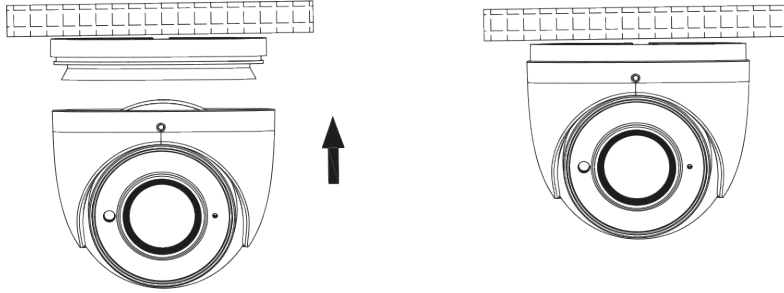
3. Drill the screw holes and the cable hole on the wall according to the drill template.



4. Route and connect the cables. Then secure the mounting base to the ceiling or wall with the screws provided.



5. Install the cover back to the camera and fix it with the screws firmly. Please note that the cover should not be installed unevenly.
6. Install the dome and enclosure to the mounting base and then adjust the dome to obtain an optimum view angle. Finally, fix the camera with the fixed screw.

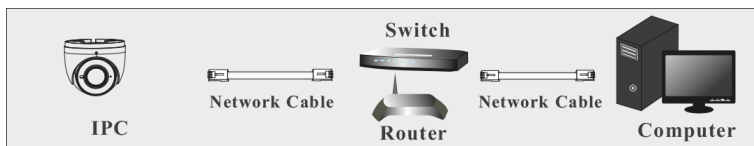


## 4.0 Network Connection

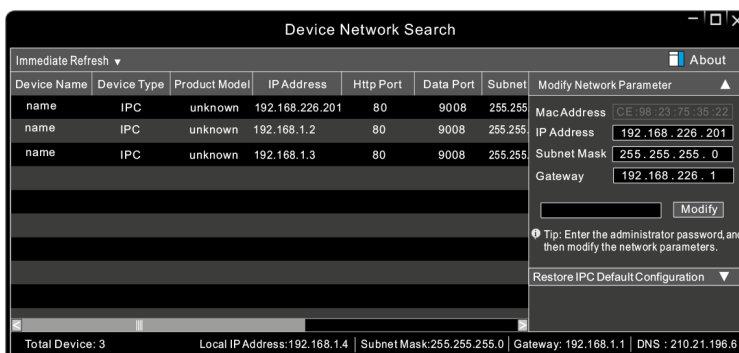
In LAN, there are two ways to access the camera:

1. Access Through IP-Tool
2. Direct Access Through Web Browser

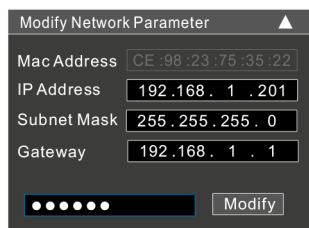
### Access the Camera through the IP Tool



1. Make sure that the camera and the PC are well connected via LAN.
2. Find the IP-Tool from the CD and then install it in the computer. After that, run the IP Tool as shown below.



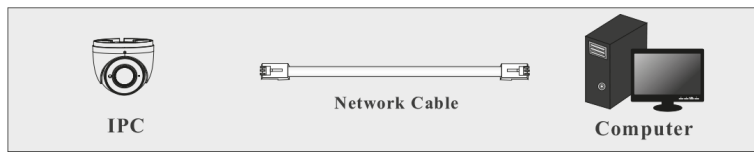
3. Modify the IP address. The default IP address of this camera is 192.168.226.201. Click the information of the camera listed in the above table to show the network information on the right hand. Modify the IP address and gateway of the camera and make sure its network address is in the same local network segment as that of the computer. Please modify the IP address of your device according to the practical situation.



For example, the IP address of your computer is 192.168.1.4. So the IP address of the camera shall be changed to 192.168.1.X and the gateway shall be changed to 192.168.1.1. After modification, please enter the password of the administrator and click "Modify" button to modify the settings. The default password of the administrator is "123456".

4. Double-click the camera listed in the IP-Tool or manually enter the IP address in the address bar of the web browser to connect IP-CAM. Then follow directions to download and install the plugin. Enter the username and password in the login interface. The default username is admin; the default password is 123456.

### Access the Web Browser

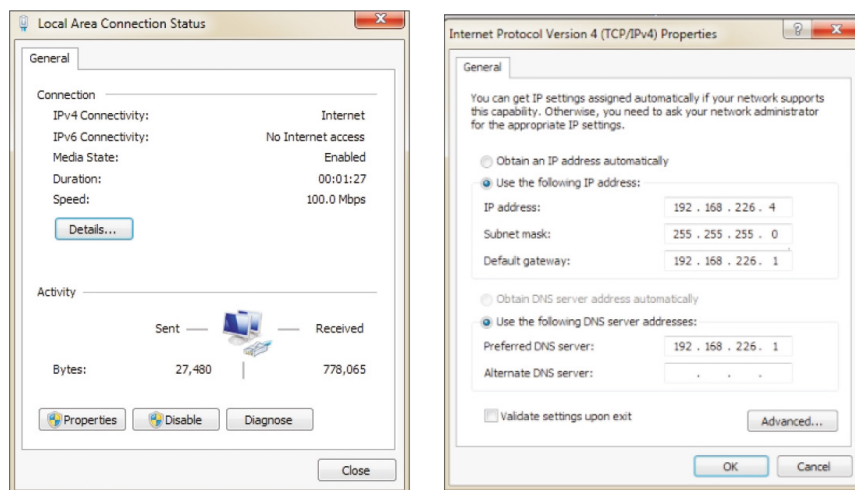


The default network settings are as shown below:

- IP address: 192.168.226.201
- HTTP:80
- Subnet Mask: 255.255.255.0
- Data Port:9008
- Gateway: 192.168.226.1

You may use the above default settings when you log in the camera for the first time.

1. Set the IP address of the PC and make sure the network segment should be as the same as the default settings of IP-CAM. Open the network and share center. Click "Local Area Connection" to pop up the following window. Select "Properties" and then select Internet protocol according to the actual situation (for example: IPv4). Next, click "Properties" button to set the network of the PC.



2. Open a browser and enter the default address of IP-CAM and confirm.
3. Download and run the plugin in the computer.
4. Enter the default username and password in the login interface to log in.

**Sales** +44(0)1707 330541

**Enquiries** [sales@genieproducts.co.uk](mailto:sales@genieproducts.co.uk)

**Website** [www.genieproducts.co.uk](http://www.genieproducts.co.uk)

**genie**