

WIPX4EBVAF

EYEBALL CAMERA

4MP H.265 IP IR Eyeball Camera with 2.8–12mm Auto Focus Lens and Facial Recognition



Key Features

- 4MP (2592 × 1520) H.265 full real-time coding
- Maximum resolution: 2592 × 1520
- ICR auto switch, true day / night vision
- 30 ~ 50m IR night view distance
- Motorised zoom lens
- Supports image distortion correction
- 3D DNR, true WDR, HLC, BLC, Defog, NIR, Smart IR and ROI coding
- Built-in micro SD card slot, up to 128GB
- DC12V/PoE power supply
- IP67 ingress protection
- Supports three streams
- Support remote monitoring by smart phones & tablet PCs with iOS and Android OS
- Intelligent analytics
- Onvif compliant

The Genie **WIPX4EBVAF** is a 4MP IP IR eyeball camera with a 2.8–12mm auto focus lens. The camera features intelligent analytics as well as facial recognition when paired with any Genie AI NVR.



Specification

Camera

Image Sensor	1 / 3" CMOS
Image Size	2592 × 1520
Electronic Shutter	1 / 30 s ~ 1 / 100000 s
Iris Type	DC Iris
Minimum Illumination	0.0038 Lux @ F1.4, AGC ON, 0 Lux with IR 0.0028 Lux @ F1.2, AGC ON, 0 Lux with IR
Lens	2.8~12mm @ F1.4, motorised
Lens Mount	Ø14
Field of View	Horizontal: 94.2°~29.8°, Vertical: 62.4°~17, Diagonal: 102°~33.9°
Day & Night	ICR
Wide Dynamic Range	120dB
BLC	Yes
HLC	Yes
Defog	Yes
Digital NR	3D DNR
Angle Adjustment	Pan: 0°~360°, Tilt: 0°~80°, Rotation: 0°~360°

Functions

Remote Monitoring	Web browsing, CMS remote control
Online Connection	Supports simultaneous monitoring for up to 10 users. Supports multi-stream real time transmission
Network Protocol	UDP, IPv4, IPv6, DHCP, NTP, RTSP, PPPoE, DDNS, SMTP, FTP, SNMP, 802.1x, UPnP, HTTPs, QoS
Interface Protocol	Onvif compatible
Intelligent Analytics	Line crossing Region entrance / exiting / intrusion (human / motor vehicle / non-motor vehicle classification) Line crossing human / motor vehicle / non-motor vehicle counting scene change Video blur and video colour cast detection Face recognition and face capture
Storage	Network remote storage, Micro SD card storage
Smart Alarm	Motion detection, SD card error, SD card full
General Function	Watermark, IP address filtering, video mask, heartbeat, password protection
PoE	Yes (IEEE802.3af)
IR Distance	30 ~ 50 m

Image

Video Compression	Smart H.265, H.265+, H.265, Smart H.264, H.264+, H.264, MJPEG
H.265 Compression Standard	Baseline Profile, Main Profile, High Profile
Resolution	4MP (2592 × 1520), 2K (2560 × 1440), 3MP (2304 × 1296), 1080p (1920 × 1080), 720p (1280 × 720), D1, CIF, 480 × 240
Main Stream	4MP, 2K, 3MP, 1080p, 720p (60Hz : 1 ~ 30fps, 50Hz: 1~25fps) HFR mode: 1080p, 720p (60Hz : 1 ~ 60fps, 50Hz: 1~50fps)
Sub Stream	720p, D1, CIF, 480 × 240 (60Hz: 1~30fps, 50Hz: 1~25fps)
Third Stream	D1, CIF, 480 × 240 (60Hz: 1~30fps, 50Hz: 1~25fps)
Bit Rate	64 Kbps ~ 8 Mbps
Bit Rate Type	VBR / CBR
Audio Compression	G711A / U
Image Settings	ROI, Saturation, Brightness, Chroma, Contrast, Wide Dynamic, Sharpen, NR, etc. Adjustable through client software or web browser.
ROI	Each ROI to be configured separately.

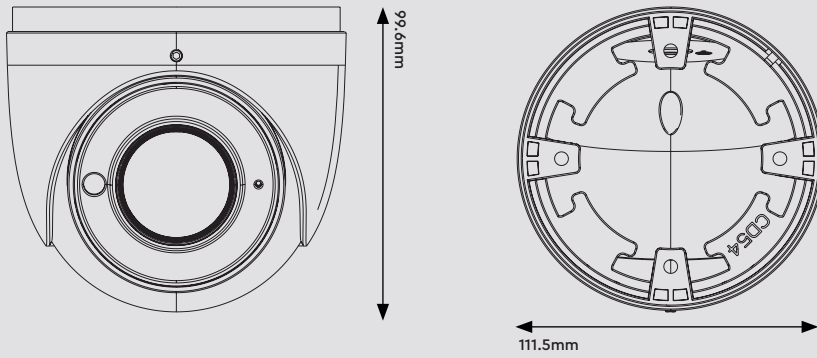
Interface

Network	RJ45
Video Output	No
Audio	1CH audio input, 1CH built-in MIC
Alarm	No
Storage	Built-in micro SD card slot, up to 128GB
Hardware Reset	Yes

Others

Ingress Protection	IP67
Power Supply	DC12V / PoE
Power Consumption	< 9.5W
Operating Environment	- 30 °C ~ 60°C (-22°F~140°F) Humidity: Less than 95% (Non-condensing)
Dimensions	111.5 × 99.6 mm
Weight	Approximately 0.67Kg

Dimensions



Accessories



WJBBVWP
Water Resistant Junction
Box - White



WJBEBV
Junction Box for Varifocal
and Auto Focus Eyeball
Cameras - White



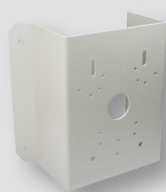
WIPSWM
Surface Mount Wall
Bracket (Junction Box NOT
included) - White



WBEBVW
Wall Bracket for Eyeball
Cameras - White



WIPPPP
Multi Purpose Pole Mount
Bracket - White



WIPPCM
Multi Purpose Corner
Mount Bracket - White