

WIPX4EB

EYEBALL CAMERA

4MP H.265 IP IR Eyeball Camera with 2.8mm Fixed Lens and Facial Recognition



Key Features

- 4MP (2592 × 1520) H.265 full real-time coding
- Maximum resolution: 2592 × 1520
- ICR auto switch, true day / night vision
- 20 ~ 30m IR night view distance
- 3D DNR, true WDR, HLC, BLC, Defog, NIR, Smart IR and ROI coding
- Support image distortion correction
- Built-in micro SD card slot, up to 128GB
- DC12V / PoE power supply
- IP67 ingress protection
- Supports three streams
- Intelligent analytics
- Supports mobile surveillance by smart phones and tablet PCs with iOS or Android OS

The Genie **WIPX4EB** is a 4MP IP IR eyeball camera with a 2.8mm lens. The camera also features up to 30m IR night view distance as well as being IP67.



genie

Specification

Camera

Image Sensor	1 / 3 "CMOS
Image Size	2592 × 1520
Electronic Shutter	1 / 30 s ~ 1 / 100000 s
Iris Type	Fixed Iris
Minimum Illumination	0.005 Lux @ F1.6, AGC ON: 0 Lux with IR 0.0028 Lux @ F1.2, AGC ON: 0 Lux with IR
Lens	2.8mm @ F1.6, Horizontal FoV: 100.4°, Vertical FoV: 68°, Diagonal FoV: 108°
Lens Mount	M12
Focus	Fixed
Day & Night	ICR
Wide Dynamic Range	120dB
BLC	Yes
HLC	Yes
Defog	Yes
Digital NR	3D DNR
Angle Adjustment	Pan: 0°~360°, Tilt: 0°~75°, Rotation: 0°~360°

Functions

Remote Monitoring	Web browsing, CMS remote control
Online Connection	Supports simultaneous monitoring for up to 10 users. Supports multi-stream real time transmission
Network Protocol	UDP, IPv4, IPv6, DHCP, NTP, RTSP, PPPoE, DDNS, SMTP, FTP, SNMP, HTTP, 802.1x, UPnP, HTTPs, QoS
Interface Protocol	Onvif compatible
Intelligent Analytics	Perimeter Protection: Line crossing, region entrance/ exiting/intrusion (human/motor vehicle/non-motor vehicle classification) Target Counting: Line crossing human/motor vehicle/ non-motor vehicle counting Exception Detection: Scene change, video blur and video colour cast detection Face Detection: Face detection and face capture
Storage	Network remote storage, micro SD card storage
Smart Alarm	Motion detection, SD card error, SD card full
General Function	Watermark, IP address filtering, video mask, heartbeat, password protection, non-photosensitive switch, image distortion correction
PoE	Yes , IEEE802.3af
IR Distance	20 ~ 30 m

Image

Video Compression	Smart H.265 / H.265+ / H.265 / Smart H.264 / H.264+ / H.264 / MJPEG
H.264 Compression Standard	Baseline Profile/Main Profile/High Profile
Resolution	4MP (2592 × 1520), 2K (2560 × 1440), 3MP (2304 × 1296), 1080p (1920 × 1080), 720p (1280 × 720), D1, CIF, 480 × 240
Main Stream	4MP/2K/3MP/1080p / 720p (60Hz : 1 ~ 30fps, 50Hz: 1~25fps) HFR mode: 1080p / 720p (60Hz : 1 ~ 60fps, 50Hz: 1~50fps)
Sub Stream	720p/D1/CIF/480×240 (60Hz : 1 ~ 30fps; 50Hz: 1~25fps)
Third Stream	D1/CIF/480×240 (60Hz : 1 ~ 30fps, 50Hz: 1~25fps)
Bit Rate	64 Kbps ~ 8 Mbps
Bit Rate Type	VBR / CBR
Audio Compression	G711A / U
Image Settings	ROI, Saturation, Brightness, Chroma, Contrast,Wide Dynamic, Sharpen, NR,etc. Adjustable through client software or web browser
ROI	Each ROI to be configured separately

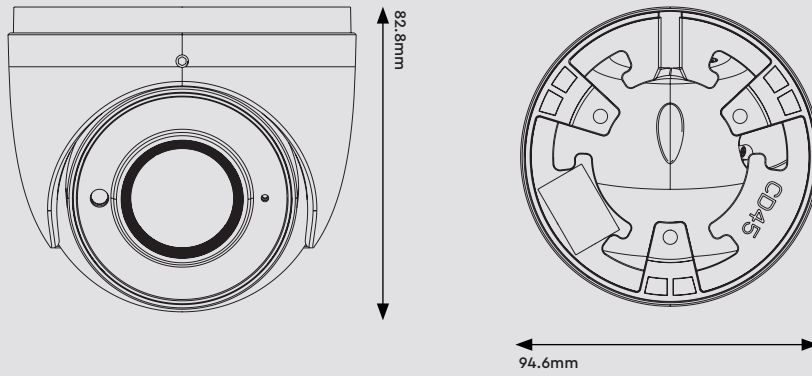
Interface

Network	RJ45
Video Output	No
Audio	1CH audio input, 1 CH built-in MIC
Storage	Built-in Micro SD card slot, Up to 128GB
Hardware Reset	Yes
Alarm	No

Others

Ingress Protection	IP67
Power Supply	DC12V (PoE power supply optional)
Power Consumption	< 7.5W
Operating Environment	- 30 °C ~ 60°C (-22°F~140°F) Humidity: Less than 95% (Non-condensing)
Dimensions	94.6 × 82.8 mm
Weight	Approximately 0.45Kg

Dimensions



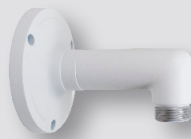
Accessories



WJBSBWP
Water Resistant Junction
Box for Varifocal Bullet
Cameras and Fixed
Eyeballs - White



WIPSJB
Small Sized Junction Box
for Bullet and Eyeball
Cameras - White



WIPSWM
Surface Mount Wall
Bracket (Junction Box NOT
included) - White



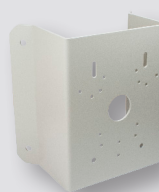
WBEBVW
Wall Bracket for Eyeball
Cameras - White



WIPSCM
Ceiling Mount for Vandal
Resistant Domes (Requires
associated JB) - White



WIPMPPM
Multi Purpose Pole Mount
Bracket - White



WIPMPCM
Multi Purpose Corner
Mount Bracket - White