

2MP Stainless Steel AHD IR Bullet Camera with 5–50mm Auto Lens

SSAHD2LBVAF



Quick Start Guide

Please read these instructions carefully before operating the unit and keep for further reference. All the examples and pictures used here are for reference only. The contents of this manual are subject to change without notice.

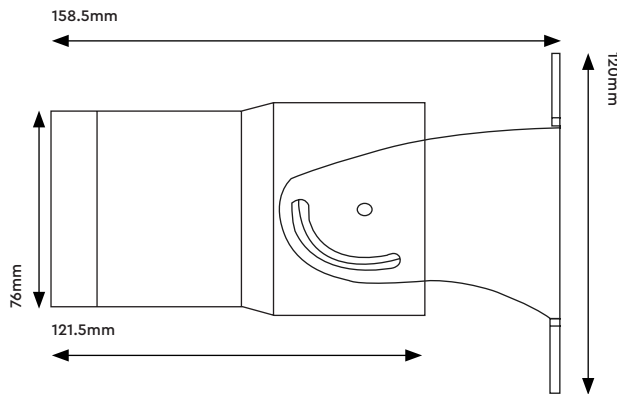
Features

- 1/2.8" Sony Starvis CMOS image sensor
- Full HD (1920 × 1080) resolution
- Auto compensation and long range transmission
- Stainless steel body (AISI 316L grade)
- 2 pcs pearl LED's
- 5–50mm DC auto iris motorised megapixel lens
- True day & night with ICR mechanism
- Excellent low illumination performance
- 3D DNR (Digital Noise Reduction)
- Sens-up
- D-WDR (Digital Wide Dynamic Range)
- IP67 ingress protection
- DC12V
- Wall mount bracket option
- NDAA compliant

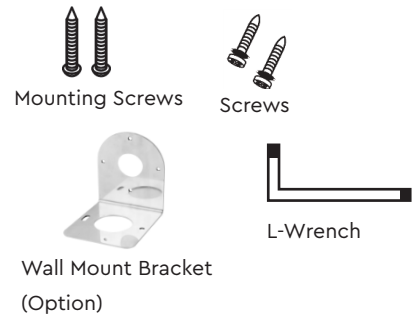
Specifications

Camera	Image Sensor	1/2.8" Sony Starvis CMOS sensor
	Scanning System	Progressive
	Resolution	1080p
	Minimum Illumination	0.01 Lux at IR off (F1.0), 0.00 Lux at IR on
	Lens	5–50mm motorised DC auto iris lens (ICR)
	S / N Ratio	More than 50dB (AGC Off)
	Video Output	Universal AHD, CVI, TVI: 1080p, 720p Analogue: NTSC/ PAL CVBS
Functions	Sens-Up	Off / x2 – x30
	DNR	Off / Low / Middle / High
	Backlight	Off / BLC / HSBLC
	D-WDR	Off / 0–8
	Motion Detection	Off / On
	Privacy Mask	4 Masks
Others	Ingress Protection	IP67
	Power Supply	DC12V (± 10%)
	Power Consumption	Max 4.0W
	Working Environment	Temperature: – 10°C ~ 50°C, Humidity: 10 % ~ 85 %
	Dimensions	76 × 158.5 × 120 mm
	Weight	2080g

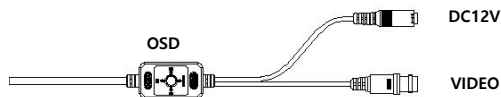
Dimensions



Accessories



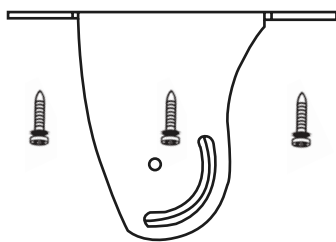
Cable



CAUTION! Please use regulated power supply DC12V 500mA
Reverse Polarity Protection

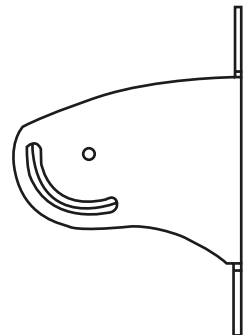
Installation

Step 1



Fix bracket in desired place.

Step 2



Adjust the angle of view
with the 3-axis bracket.

Sales +44(0)1707 330541

Enquiries sales@genieproducts.co.uk

Website www.genieproducts.co.uk

genie