

2MP Stainless Steel AHD IR Dome Camera with 2.8–12mm Varifocal Auto Focus Lens

SSAHD2DVAF



Quick Start Guide

Please read these instructions carefully before operating the unit and keep for further reference. All the examples and pictures used here are for reference only. The contents of this manual are subject to change without notice.

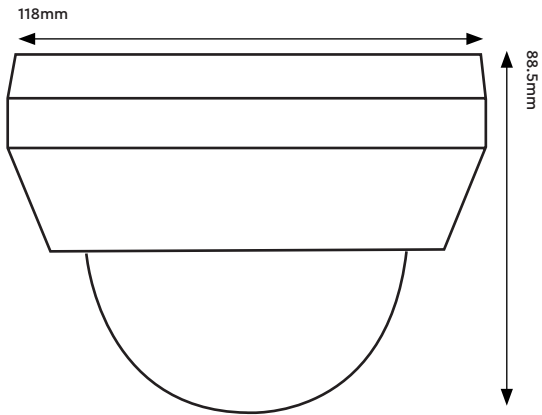
Features

- 1/2.8" Sony Starvis CMOS image sensor
- Full HD (1920 × 1080) resolution
- Auto compensation and long range transmission
- Stainless steel body (AISI 316L grade)
- 24 pcs pearl LED's
- 2.8~12mm DC auto iris motorised megapixel lens
- True day & night with ICR mechanism
- Excellent low illumination performance
- 3D DNR (Digital Noise Reduction)
- Sens-up
- D-WDR (Digital Wide Dynamic Range)
- IP67 ingress protection
- DC12V
- NDAA compliant

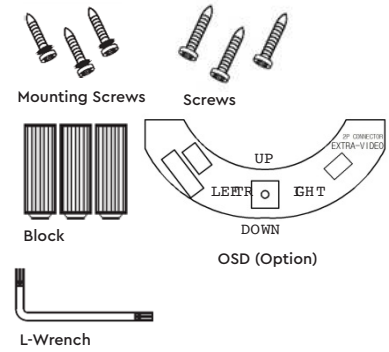
Specifications

Camera	Image Sensor	1/2.8" Sony Starvis CMOS sensor
	Scanning System	Progressive
	Resolution	1080p
	Minimum Illumination	Colour : 1.0 Lux, B&W : 0.5 Lux, Colour DSS : 0.002 Lux, B&W DSS : 0.0008 Lux
	Lens	2.8~12mm motorised DC auto iris lens (ICR)
	S / N Ratio	More than 50dB (AGC Off)
	Video Output	Universal AHD, CVI, TVI: 1080p, 720p Analogue: NTSC/ PAL CVBS
Functions	Sens-Up	Off / x2 - x30
	DNR	Off / Low / Middle / High
	Backlight	Off / BLC / HSBLC
	D-WDR	Off / 0-8
	Motion Detection	Off / On
	Privacy Mask	4 Masks
Others	Ingress Protection	IP67
	Power Supply	DC12V (± 10%)
	Power Consumption	Max 4.0W
	Working Environment	Temperature: - 10°C ~ 50°C, Humidity: 10 % ~ 85 %
	Dimensions	118 × 88.5 mm
	Weight	1310g

Dimensions



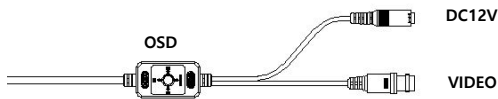
Accessories



Mode Change

CVBS Mode: Hold left on OSD key for 5 seconds
AHD Mode : Hold right on OSD key for 5 seconds
CVI Mode : Hold up on OSD key for 5 seconds
TVI Mode : Hold down on OSD key for 5 seconds

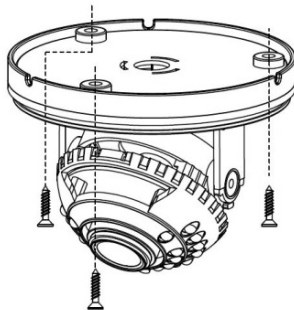
Cable



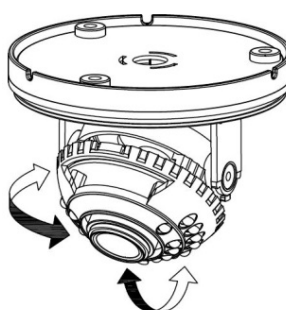
CAUTION! Please use regulated power supply DC12V 300mA
Reverse Polarity Protection

Installation

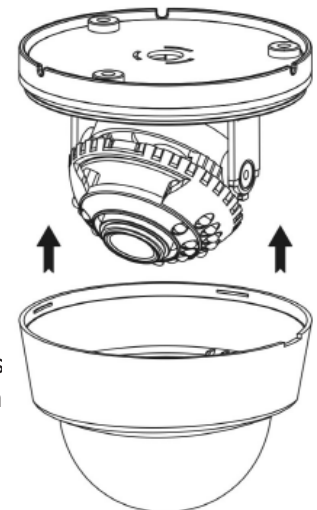
Step 1



Step 2



Step 3



Please tighten up 3pcs of fixed screws with th L-wrench after closing dome cover.

Sales +44(0)1707 330541

Enquiries sales@genieproducts.co.uk

Website www.genieproducts.co.uk

genie