

2MP Stainless Steel AHD IR Bullet Camera with 3.6mm Fixed Lens

SSAHD2B



Quick Start Guide

Please read these instructions carefully before operating the unit and keep for further reference. All the examples and pictures used here are for reference only. The contents of this manual are subject to change without notice.

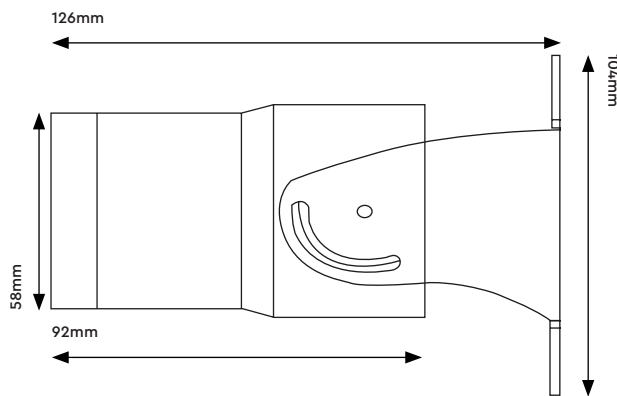
Features

- 1/2.8" Sony Starvis CMOS image sensor
- Full HD Mega Pixel (1080p)
- Auto compensation and long range transmission
- Stainless steel body (AISI 316L grade)
- 3.6mm megapixel lens
- 24 pcs pearl LED's
- True day & night with ICR mechanism
- 3D DNR (Digital Noise Reduction)
- D-WDR (Digital Wide Dynamic Range)
- IP67 ingress protection
- DC12V
- Wall mount bracket option
- NDAA compliant

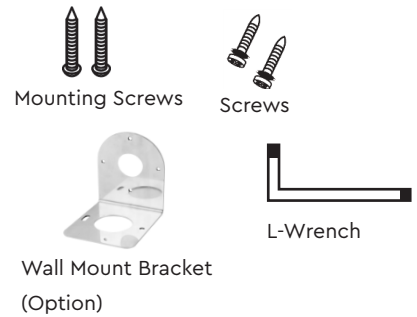
Specifications

| | | |
|-----------|----------------------|--|
| Camera | Image Sensor | 1/2.8" Sony Starvis CMOS sensor |
| | Scanning System | Progressive |
| | Resolution | 1080p |
| | Minimum Illumination | 0.01 Lux at IR off (F1.0), 0.00 Lux at IR on |
| | Lens | 3.6mm megapixel fixed lens (ICR) |
| | S / N Ratio | More than 50dB (AGC Off) |
| | Video Output | Universal AHD, CVI, TVI: 1080p, 720p Analogue: NTSC/ PAL CVBS |
| Functions | Sens-Up | Off / x2 - x30 |
| | DNR | Off / Low / Middle / High |
| | Backlight | Off / BLC / HSBLC |
| | D-WDR | Off / 0-8 |
| | Motion Detection | Off / On |
| | Privacy Mask | 4 Masks |
| Others | Ingress Protection | IP67 |
| | Power Supply | DC12V (± 10%) |
| | Power Consumption | Max 4.0W |
| | Working Environment | Temperature: - 10°C ~ 50°C, Humidity: 10 % ~ 85 % |
| | Dimensions | 58 × 126 × 104 mm |
| | Weight | 1200g |

Dimensions



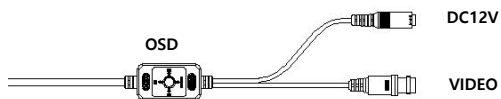
Accessories



Mode Change

CVBS Mode: Hold left on OSD key for 5 seconds
AHD Mode : Hold right on OSD key for 5 seconds
CVI Mode : Hold up on OSD key for 5 seconds
TVI Mode : Hold down on OSD key for 5 seconds

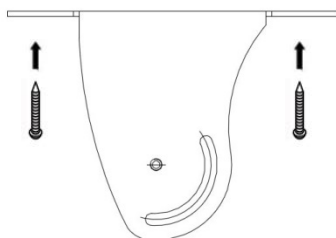
Cable



CAUTION! Please use regulated power supply DC12V 500mA
Reverse Polarity Protection

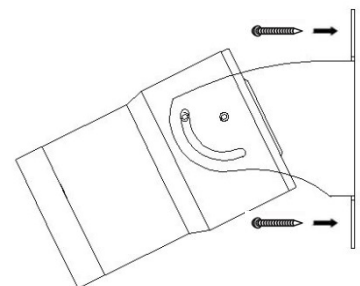
Installation

Step 1



Fix bracket in desired place.

Step 2



Adjust the angle of view with the 3-axis bracket.

Sales +44(0)1707 330541

Enquiries sales@genieproducts.co.uk

Website www.genieproducts.co.uk

genie