

# 4MP H.265 IP IR Eyeball Camera with 2.8–12mm Auto Focus Lens

---

PWIPN4EBVAF



## Quick Start Guide

Please read these instructions carefully before operating the unit and keep for further reference.

Please read this instruction carefully before operating the product and keep it for further reference. All examples and pictures used here are for reference only. The contents of this manual are subject to change without notice.

### **CAUTION:**

- If the product does not work properly, please contact your dealer or the nearest service centre. Never attempt to disassemble the camera yourself. We shall not be responsible for any problems caused by unauthorised repair or maintenance.
- Do not allow water or liquid into the camera while in use.
- When using the product, you must be in strict compliance with the electrical safety regulations of the nation and region.
- When the product is mounted on wall or ceiling, the device needs to be firmly fixed.
- Make sure the power supply voltage is correct before using the camera.
- Do not drop the camera or subject it to any physical shock.
- If cleaning, please use a clean soft cloth with a little neutral detergent to wipe it gently.
- Do not aim the camera at the sun or in any area where there is bright lighting.
- The device may be burned out by a laser beam, so when any laser equipment is in use, make sure that the surface of the device will not be exposed to the laser beam.
- Do not place the camera in extremely hot, cold, dusty or damp locations, and do not expose it to high electromagnetic radiation.
- To avoid heat accumulation, good ventilation is required for operating environment.

1.0 Introduction.....	4
1.1 Product Features.....	4
1.2 Product Dimensions .....	4
1.3 Contents .....	4
1.4 Specification .....	5
2.0 Overview.....	6
3.0 Installation.....	8
4.0 Network Connection .....	10

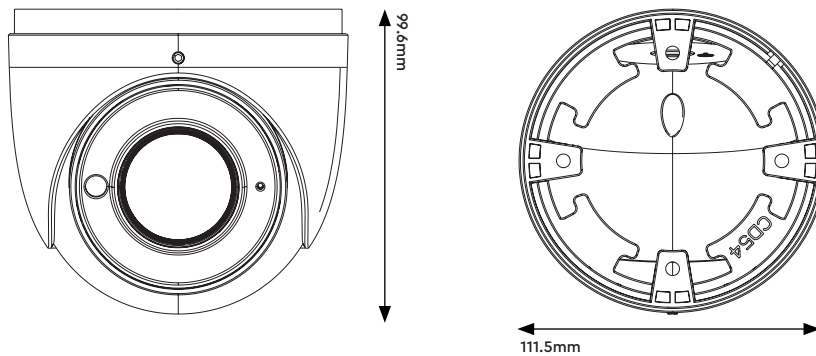
## 1.0 Introduction

The Genie PWIPN4EBVAF is a 4MP IP IR eyeball camera with a 2.8–12mm auto focus lens. The camera also features up to 50m IR night view distance as well as being IP67.

### 1.1 Product Features

- NDAA compliant
- 4MP (2560 × 1440) H.265 coding
- Maximum resolution: 2560 × 1440
- ICR auto switch, true day / night, ROI coding
- 3D DNR, digital WDR, HLC, BLC, defog
- 30~50m IR night view distance
- DC12V / PoE power supply
- 1CH built-in MIC
- IP67 ingress protection
- Supports three streams
- Supports remote monitoring by smart phones and tablet PCs with iOS and Android OS
- Intelligent analytics : Object removal detection, abnormal video signal detection, line crossing detection and region intrusion detection
- Onvif compliant

### 1.2 Product Dimensions



### 1.3 Contents



Camera



Quick Start Guide



Tapping Screw x4



L-Wrench



CD



Drill Template



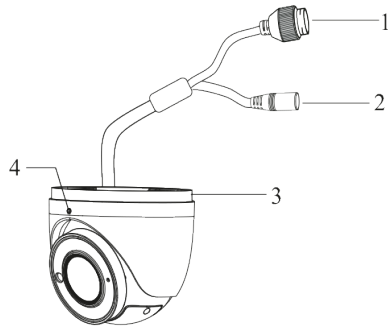
Plastic Plug x4

### 1.4 Specification

Camera	Image Sensor	1 / 2.7 "CMOS
	Image Size	2560 × 1440
	Electronic Shutter	1 / 25 s ~ 1 / 100000 s
	Iris Type	Fixed Iris
	Minimum Illumination	0.011 Lux @ F1.2, AGC ON, 0 Lux with IR 0.04 Lux @ F2.26, AGC ON, 0 Lux with IR
	Lens	2.8~12mm @ F1.4, Motorised zoom lens, Horizontal field of view: 94°~35.7°
	Lens Mount	Ø14
	Wide Dynamic Range	Digital WDR
	BLC	Yes
	HLC	Yes
	Defog	Yes
	Digital NR	3D DNR
	Angle Adjustment	Pan: 0°~360°, Tilt: 0°~80°, Rotation: 0°~360°
	Image	Video Compression
H.265 Compression Standard		Main Profile @ Level 4.1 High Tier
Resolution		4MP (2560 × 1440), 3MP (2304 × 1296), 1080p (1920 × 1080), 720p (1280 × 720), D1, CIF, 480 × 240
Main Stream		60Hz : 4MP / 3MP / 1080p (1~30fps), 50Hz : 4MP / 3MP / 1080p (1~25fps)
Sub Stream		60Hz : 720p (1~15fps) / D1 (1~30fps) / CIF (1~30fps), 50Hz: 720p (1~12fps) / D1 (1~25fps) / CIF (1~25fps)
Third Stream		60Hz : D1 / CIF / 480 × 240 (1~30fps) 50Hz: D1 / CIF / 480 × 240 (1~25fps)
Bit Rate		64 Kbps ~ 5 Mbps
Bit Rate Type		VBR / CBR
Image Settings		ROI, Saturation, Brightness, Chroma, Contrast, Wide Dynamic, Sharpen, NR, etc. Adjustable through client software or web browser
ROI		Each ROI to be configured separately
Functions	Remote Monitoring	Web browsing, CMS remote control
	Online Connection	Supports simultaneous monitoring for up to 4 users. Supports multi-stream real time transmission
	Network Protocol	UDP, IPv4, IPv6, DHCP, NTP, RTSP, PPPoE, DDNS, SMTP, FTP, 802.1x, UPnP, HTTP, HTTPS, QoS
	Interface Protocol	Onvif compatible
	Intelligent Analytics	Region intrusion detection, Object removal detection, Abnormal video detection, Line crossing detection
	Storage	Network remote storage
	Smart Alarm	Motion detection
	General Function	Watermark, IP address filtering, video mask, heartbeat, password protection
	PoE	Yes
	IR Distance	30 ~ 50 m

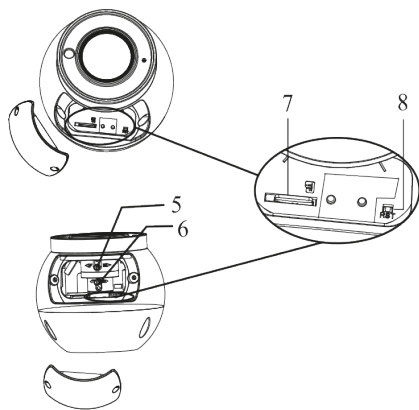
Interface	Network	RJ45
	Video Output	No
	Audio	Built-in MIC x1
	Storage	No
	Hardware Reset	No
Others	Ingress Protection	IP67
	Power Supply	DC12V / PoE
	Power Consumption	< 9W
	Operating Environment	- 30 °C ~ 60°C (-22°F~140°F), Humidity: Less than 95% (Non-condensing)
	Dimensions	111.5 × 99.6 mm
	Weight	Approximately 0.64Kg

## 2.0 Overview

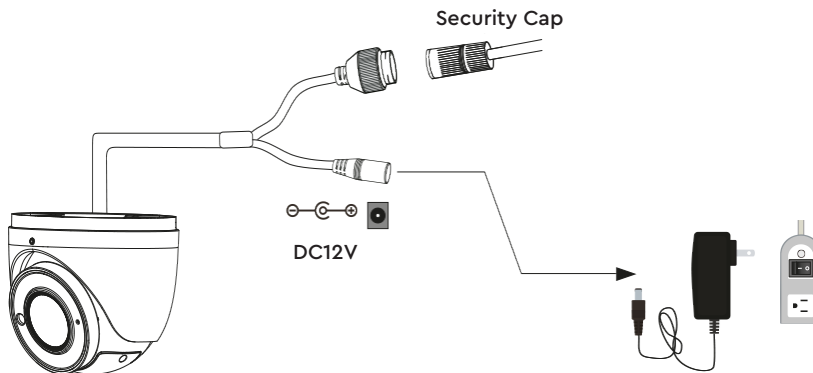


1. Ethernet Connector
2. Power Connector
3. Mounting Base
4. Fixed Screw
5. Focus
6. Zoom
7. Micro SD Card Slot
8. Reset

Type A: Motorised Zoom Camera

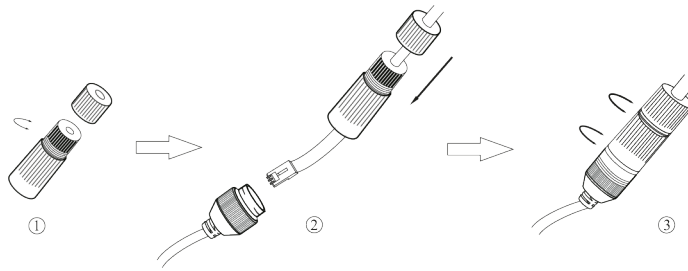


Type A: Manual Zoom Camera



- It is recommended to install the security cap for outdoor installation.
- If the PoE switch is used to power the camera that supports PoE power supply, DC12V power supply is not required.

### Connecting Network Cable



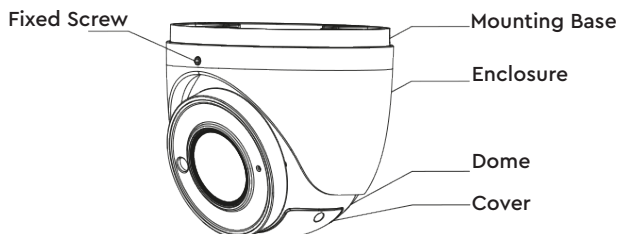
1. Loosen the nut from the main element.
2. Run the network cable (without RJ 45 connector) through both elements. Then crimp the cable with RJ 45 connector.
3. Connect the cable to the hermetic connector. Then tighten the nut and the main cover.



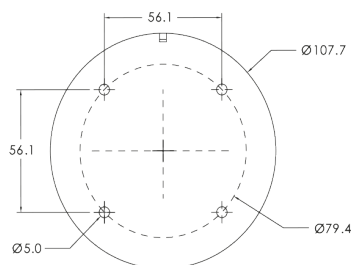
## 3.0 Installation

Please make sure that the wall or ceiling is strong enough to withstand 3 times the weight of the camera. Please install the camera in and under a dry environment.

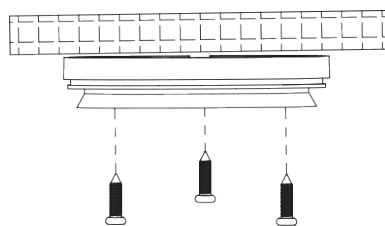
1. Loosen the fixed screw to disassemble the camera.



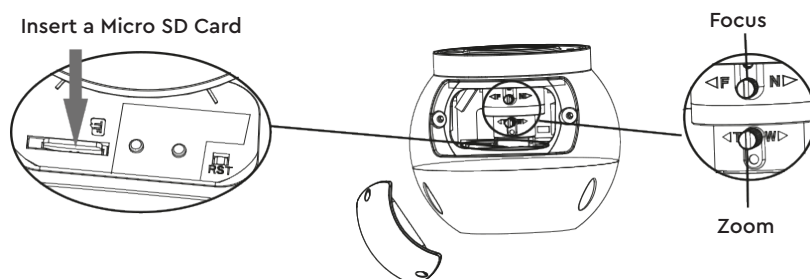
2. Drill the screw holes and the cable hole on the wall according to the drill template.



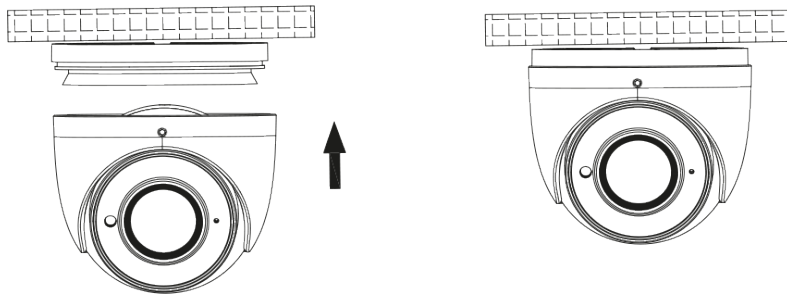
3. Route and connect the cables. Then secure the mounting base to the ceiling or wall with the screws provided.



4. Open the cover of the dome and then insert a micro SD card.
5. After that, adjust Zoom or Focus to obtain an optimum image. Before adjustment, view the image of the camera on a monitor. (If the model you get is motorised zoom lens, please skip this step).



6. Install the dome and enclosure to the mounting base and then adjust the dome to obtain an optimum view angle. Finally, fix the camera with the fixed screw.

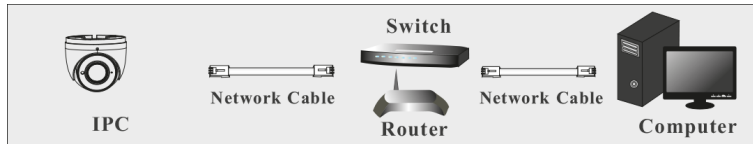


## 4.0 Network Connection

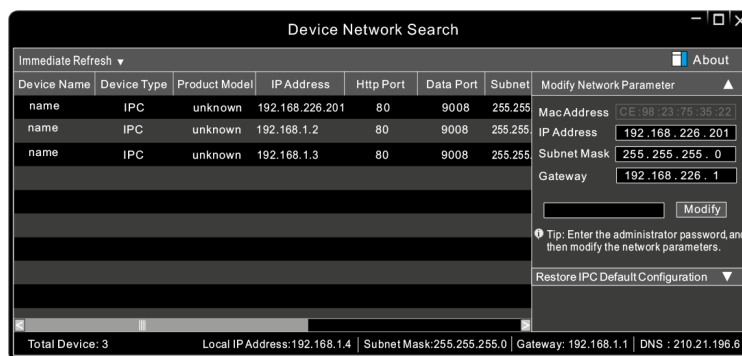
In LAN, there are two ways to access the camera:

1. Access Through IP-Tool
2. Direct Access Through Web Browser

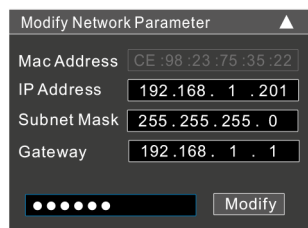
### Access the Camera through the IP Tool



1. Make sure that the camera and the PC are well connected via LAN.
2. Find the IP-Tool from the CD and then install it in the computer. After that, run the IP Tool as shown below.



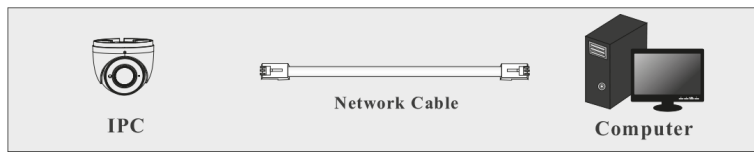
3. Modify the IP address. The default IP address of this camera is 192.168.226.201. Click the information of the camera listed in the above table to show the network information on the right hand. Modify the IP address and gateway of the camera and make sure its network address is in the same local network segment as that of the computer. Please modify the IP address of your device according to the practical situation.



For example, the IP address of your computer is 192.168.1.4. So the IP address of the camera shall be changed to 192.168.1.X and the gateway shall be changed to 192.168.1.1. After modification, please enter the password of the administrator and click "Modify" button to modify the settings. The default password of the administrator is "123456".

4. Double-click the camera listed in the IP-Tool or manually enter the IP address in the address bar of the web browser to connect IP-CAM. Then follow directions to download and install the plugin. Enter the username and password in the login interface. The default username is admin; the default password is 123456.

### Access the Web Browser

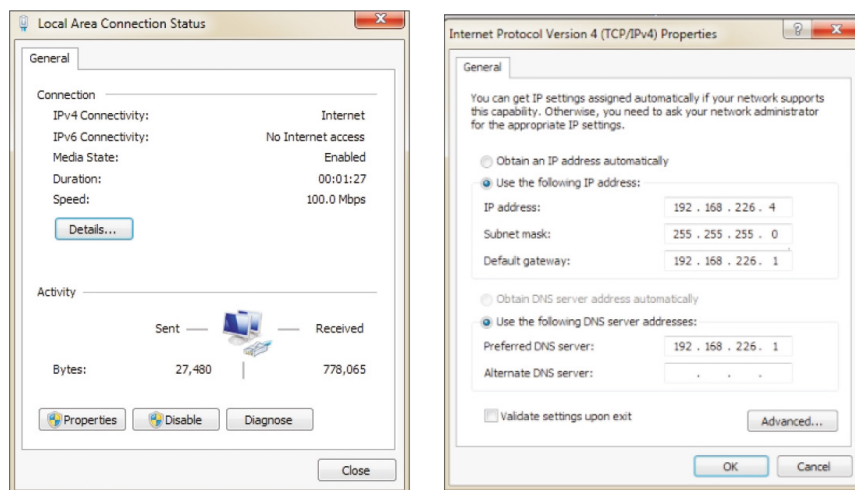


The default network settings are as shown below:

- IP address: 192.168.226.201
- HTTP:80
- Subnet Mask: 255.255.255.0
- Data Port:9008
- Gateway: 192.168.226.1

You may use the above default settings when you log in the camera for the first time.

1. Set the IP address of the PC and make sure the network segment should be as the same as the default settings of IP-CAM. Open the network and share center. Click "Local Area Connection" to pop up the following window. Select "Properties" and then select Internet protocol according to the actual situation (for example: IPv4). Next, click "Properties" button to set the network of the PC.



2. Open a browser and enter the default address of IP-CAM and confirm.
3. Download and run the plugin in the computer.
4. Enter the default username and password in the login interface to log in.

**Sales** +44(0)1707 330541

**Enquiries** [sales@genieproducts.co.uk](mailto:sales@genieproducts.co.uk)

**Website** [www.genieproducts.co.uk](http://www.genieproducts.co.uk)

**genie**