

PWIPN2EBV

EYEBALL CAMERA

2MP H.265 IP IR Eyeball Camera with 2.8–12mm Varifocal Lens



Key Features

- 2MP (1920 × 1080) H.265 full real time coding
- Maximum resolution: 1920 × 1080
- ICR auto switch, true day / night
- 30~50m IR night view distance
- 3D DNR, digital WDR, HLC, BLC and ROI coding
- Supports mobile surveillance by smart phones and tablet PCs with iOS or Android OS
- 1CH built-in MIC
- Hardware reset
- Built-in micro SD card slot, up to 128GB
- DC12V / PoE power supply
- IP67 ingress protection
- Supports dual streams
- Intelligent analytics (optional): video blur detection, line crossing detection and region intrusion detection
- NDAA compliant

The Genie PWIPN2EBV is a 2MP IP IR eyeball camera with a 2.8–12mm varifocal lens. The camera also features up to 50m IR night view distance as well as being IP67.



genie

Specification

Camera

Image Sensor	1 / 2.9 "CMOS
Image Size	1920 × 1080
Electronic Shutter	1 / 25 s ~ 1 / 100000 s
Iris Type	Fixed Iris
Minimum Illumination	0.0035 Lux @ F1.2, AGC ON, 0 Lux with IR 0.013 Lux @ F2.31, AGC ON, 0 Lux with IR
Lens	2.8~12mm @ F1.4, Horizontal field of view: 88°~ 34.8°
Lens Mount	Φ14
Wide Dynamic Range	Digital WDR
BLC	Yes
HLC	Yes
Defog	Yes
Digital NR	3D DNR
Angle Adjustment	Pan: 0°~360°, Tilt: 0°~80°, Rotation: 0°~360°

Functions

Remote Monitoring	Web browsing, CMS remote control
Online Connection	Supports simultaneous monitoring for up to 3 users. Supports multi-stream real time transmission
Network Protocol	UDP, IPv4, IPv6, DHCP, NTP, RTSP, PPPoE, DDNS, SMTP, FTP, HTTP, 802.1x, UPnP, HTTPS, Qo
Interface Protocol	Onvif compatible
Intelligent Analytics	Video blur detection, Line crossing detection, Region intrusion detection
Storage	Network remote storage, Micro SD card storage
Smart Alarm	Motion detection, SD card error, SD card full
General Function	Watermark, IP address filtering, video mask, heartbeat, illegal login lock
PoE	Yes, IEEE802.3 af
IR Distance	30 ~ 50 m

Image

Video Compression	H.265, H.264, MJPEG
H.265 Compression Standard	Main Profile @ Level 4.1 High Tier
Resolution	1080p (1920 × 1080), 720p (1280 × 720), D1, CIF, 480 × 240
Main Stream	60Hz : 1080p, 720p (1~30fps) 50Hz : 1080p, 720p (1~25fps)
Sub Stream	60Hz : D1, CIF, 480 × 240 (1~30fps) 50Hz : D1, CIF, 480 × 240 (1~25fps)
Bit Rate	64 Kbps ~ 6 Mbps
Bit Rate Type	VBR / CBR
Audio Compression	G711A / U
Image Settings	ROI, Saturation, Brightness, Chroma, Contrast, Wide Dynamic, Sharpen, NR, etc. Adjustable through client software or web browser
ROI	Each ROI to be configured separately

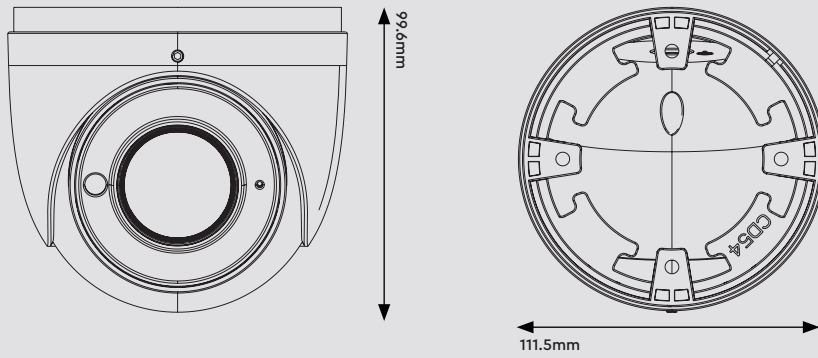
Interface

Network	RJ45
Video Output	No
Audio	Built-in MIC x1
Storage	Built-in Micro SD card slot, Up to 128GB
Hardware Reset	Yes

Others

Ingress Protection	IP67
Power Supply	DC12V / PoE
Power Consumption	< 8W
Operating Environment	- 30 °C ~ 60°C (-22°F~140°F) Humidity: Less than 95% (Non-condensing)
Dimensions	111.5 × 99.6 mm
Weight	Approximately 0.64Kg

Dimensions



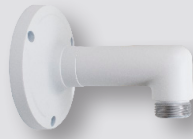
Accessories



WJBBVWP
Water Resistant Junction
Box - White



WJBEBV
Junction Box for Varifocal
and Auto Focus Eyeball
Cameras - White



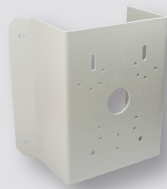
WIPSWM
Surface Mount Wall
Bracket (Junction Box NOT
included) - White



WBEBVW
Wall Bracket for Eyeball
Cameras - White



WIPMPPM
Multi Purpose Pole Mount
Bracket - White



WIPMPCM
Multi Purpose Corner
Mount Bracket - White