

PWIP4EBVAF | PWIP4EBVAFG

# EYEBALL CAMERA

4MP H.265 IP IR Eyeball Camera with 2.8–12mm Auto Focus Lens



## Key Features

- NDAA compliant
- 4MP (2560 × 1440) H.265 coding
- Maximum resolution: 2560 × 1440
- ICR auto switch, true day / night, ROI coding
- 3D DNR, digital WDR, HLC, BLC, defog
- 30~50m IR night view distance
- DC12V / PoE power supply
- 1CH built-in MIC
- IP67 ingress protection
- Supports remote monitoring by smart phones and tablet PCs with iOS and Android OS
- Supports three streams
- Intelligent analytics : Object removal detection, abnormal video signal detection, line crossing detection and region intrusion detection

The Genie PWIP4EBVAF and PWIP4EBVAFG are 4MP IP IR eyeball cameras with a 2.8–12mm auto focus lens. The cameras also feature up to 50m IR night view distance as well as being IP67.



## Specification

### Camera

<b>Image Sensor</b>	1 / 2.7 "CMOS
<b>Image Size</b>	2560 × 1440
<b>Electronic Shutter</b>	1 / 25 s ~ 1 / 100000 s
<b>Iris Type</b>	Fixed Iris
<b>Minimum Illumination</b>	0.011 Lux @ F1.2, AGC ON, 0 Lux with IR 0.04 Lux @ F2.26, AGC ON, 0 Lux with IR
<b>Lens</b>	2.8~12mm @ F1.4, Motorised zoom lens, Horizontal field of view: 94°~35.7°
<b>Lens Mount</b>	Ø14
<b>Wide Dynamic Range</b>	Digital WDR
<b>BLC</b>	Yes
<b>HLC</b>	Yes
<b>Defog</b>	Yes
<b>Digital NR</b>	3D DNR
<b>Angle Adjustment</b>	Pan: 0°~360°, Tilt: 0°~80°, Rotation: 0°~360°

### Image

<b>Video Compression</b>	H.265 / H.264
<b>H.265 Compression Standard</b>	Main Profile @ Level 4.1 High Tier
<b>Resolution</b>	4MP (2560 × 1440), 3MP (2304 × 1296), 1080p (1920 × 1080), 720p (1280 × 720), D1, CIF, 480 × 240
<b>Main Stream</b>	60Hz : 4MP / 3MP / 1080p (1~30fps) 50Hz : 4MP / 3MP / 1080p (1~25fps)
<b>Sub Stream</b>	60Hz : 720p (1~15fps) / D1 (1~30fps) / CIF (1~30fps), 50Hz: 720p (1~12fps) / D1 (1~25fps) / CIF (1~25fps)
<b>Third Stream</b>	60Hz : D1 / CIF / 480 × 240 (1~30fps) 50Hz: D1 / CIF / 480 × 240 (1~25fps)
<b>Bit Rate</b>	64 Kbps ~ 5 Mbps
<b>Bit Rate Type</b>	VBR / CBR
<b>Image Settings</b>	ROI, Saturation, Brightness, Chroma, Contrast, Wide Dynamic, Sharpen, NR, etc. Adjustable through client software or web browser
<b>ROI</b>	Each ROI to be configured separately

### Functions

<b>Remote Monitoring</b>	Web browsing, CMS remote control
<b>Online Connection</b>	Supports simultaneous monitoring for up to 4 users. Supports multi-stream real time transmission
<b>Network Protocol</b>	UDP, IPv4, IPv6, DHCP, NTP, RTSP, PPPoE, DDNS, SMTP, FTP, 802.1x, UPnP, HTTP, HTTPS, QoS
<b>Interface Protocol</b>	Onvif compatible
<b>Intelligent Analytics</b>	Region intrusion detection, Object removal detection, Abnormal video detection, Line crossing detection
<b>Storage</b>	Network remote storage
<b>Smart Alarm</b>	Motion detection
<b>General Function</b>	Watermark, IP address filtering, video mask, heartbeat, password protection
<b>PoE</b>	Yes
<b>IR Distance</b>	30 ~ 50 m

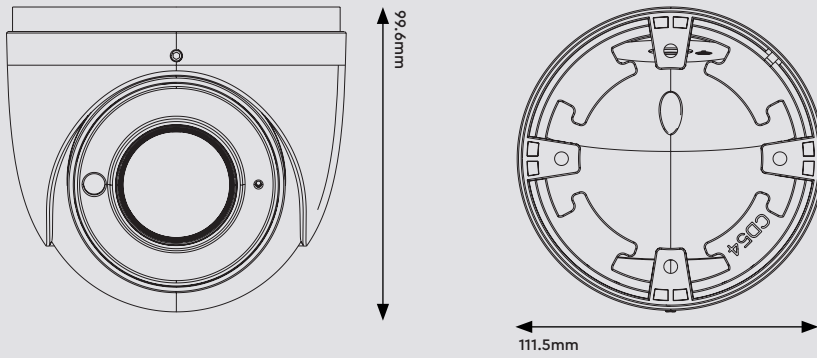
### Interface

<b>Network</b>	RJ45
<b>Video Output</b>	No
<b>Audio</b>	Built-in MIC x1
<b>Storage</b>	No
<b>Hardware Reset</b>	No

### Others

<b>Ingress Protection</b>	IP67
<b>Power Supply</b>	DC12V / PoE
<b>Power Consumption</b>	< 9W
<b>Operating Environment</b>	- 30 °C ~ 60°C (-22°F~140°F) Humidity: Less than 95% (Non-condensing)
<b>Dimensions</b>	111.5 × 99.6 mm
<b>Weight</b>	Approximately 0.64Kg

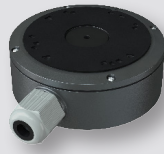
## Dimensions



## Accessories



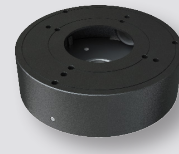
**WJBBVWP**  
Water Resistant Junction  
Box - White



**WJBBVWPG**  
Water Resistant Junction  
Box - Grey



**WJBEBV**  
Junction Box for Varifocal  
and Auto Focus Eyeball  
Cameras - White



**WJBEBVG**  
Junction Box for Varifocal  
and Auto Focus Eyeball  
Cameras - Grey



**WBEBVW**  
Wall Bracket for Eyeball  
Cameras - White



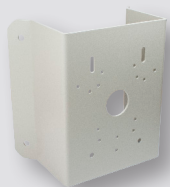
**WBEBVG**  
Wall Bracket for Eyeball  
Cameras - Grey



**WIPSWM**  
Surface Mount Wall  
Bracket (Junction Box NOT  
included) - White



**WIPMPM**  
Multi Purpose Pole Mount  
Bracket - White



**WIPMPCM**  
Multi Purpose Corner  
Mount Bracket - White