

2MP H.264 IP IR Corner Mount Camera with 2.8mm Lens

GIP2CMIR



Quick Start Guide

Please read these instructions carefully before operating the unit and keep for further reference. All the examples and pictures used here are for reference only. The contents of this manual are subject to change without notice.

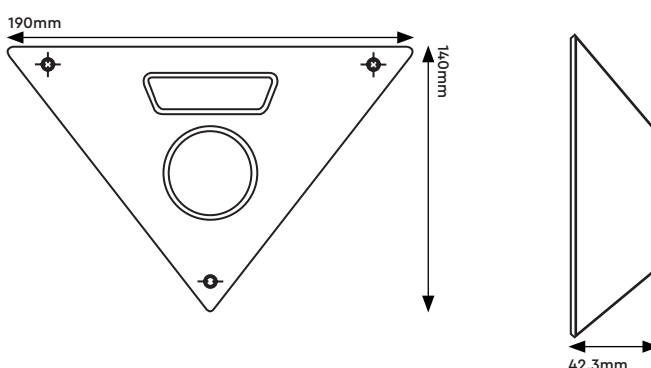
Features

- 1/2.8" Sony 2MP Starvis image sensor
- Max. 30fps, Full HD (1920×1080) resolution
- Triple codec (H.264, Mpeg4, MJPEG)
- 2.8mm megapixel fixed lens / F=1.6
- 30 pcs of invisible 940nm IR LED's
- True Day / Night with ICR mechanism
- D-WDR (Digital Wide Dynamic Range)
- 3D DNR (Digital Noise Reduction)
- PoE (IEEE802.3af) option
- NDAA compliant

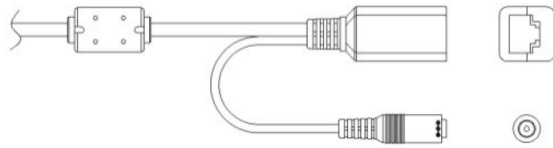
Specifications

Camera	Image Sensor	Sony 2MP Starvis image sensor
	Effective Pixels	1984 (H) x 1105 (V), 2.19 Mega Pixels
	Total Pixels	2000 (H) x 1121 (V), 2.24 Mega Pixels
	Size	1/2.8"
	Lens	2.8mm megapixel fixed lens / F=1.6
	Shutter Speed	Auto (1/15~1/15000), Suppress Rolling, Manual
	Scanning System	Progressive Scan
	Motion Detection	48 Zone, Sensitivity 1 ~ 5 Step, On / Off
	Privacy Area	On / Off (6 Programmable Zones)
Functions	Day & Night	Auto / Day (Colour) / Night (B&W), ICR Control
	LPR	Auto, 1/15 ~ 1/9000, On / Off
	WDR	DWDR (1 ~5 Step) On / Off
	3D DNR	Digital Noise Reduction, 1 ~ 63 Step
	Colour Adjust	Bright / Contrast / Saturation / Sharp / Hue
	White Balance	Auto / Indoor / Outdoor / Fluorescent
	OSD Display	Text, Data, Time, Event, On / Off
	Image Mirror	Normal / Mirror (H) / Flip (V) / Both (HV)
	Video	VBS 1.0Vp-p
	IR	940nm
Others	Power Supply	DC12V ±10%
	Operating Temperature	- 10°C ~ 50°C
	Preservation Temperature	- 10°C ~ 60°C
	Humidity	0% ~ 90%
	Dimensions	190 × 140 × 42.3 mm
	Weight	390g

Dimensions



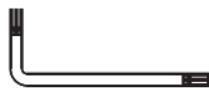
Cable



Accessories



Mounting Screws



L-Wrench



Sticker (Puddle up Screw Holes)

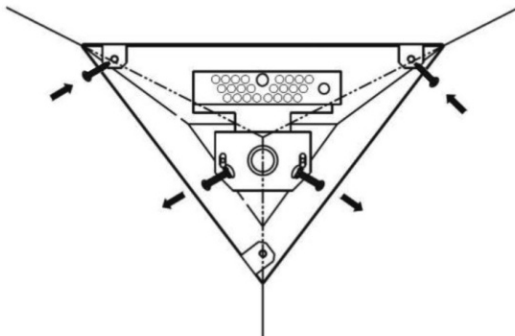


CD

Installation

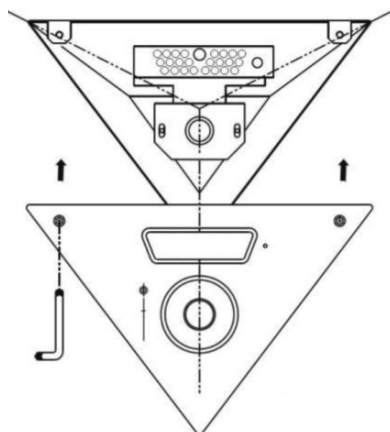
Step 1

Fix the product on the corner by screws.



Step 2

Put on the cover of the base and adjust direction and fix the cover on the base by L-Wrench.



Sales +44(0)1707 330541

Enquiries sales@genieproducts.co.uk

Website www.genieproducts.co.uk

genie