

2MP 4-in-1 Door Viewer Camera with 170° Lens

GHD190DV



Quick Start Guide

Please read these instructions carefully before operating the unit and keep for further reference. All the examples and pictures used here are for reference only. The contents of this manual are subject to change without notice.

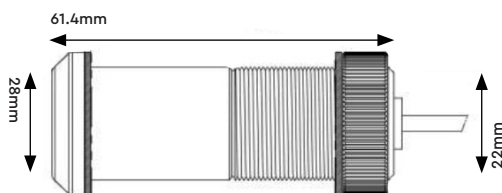
Features

- 1/2.8" Sony Starvis CMOS image sensor
- Full HD resolution (1920 × 1080)
- Auto compensation and long range transmission
- 170° in horizontal view
- Excellent low illumination performance
- 3D-DNR (Digital Noise Reduction)
- Sens-Up
- D-WDR (Digital Wide Dynamic Range)
- IP67 ingress protection
- DC12V
- OSD RCA cable
- NDAA compliant

Specifications

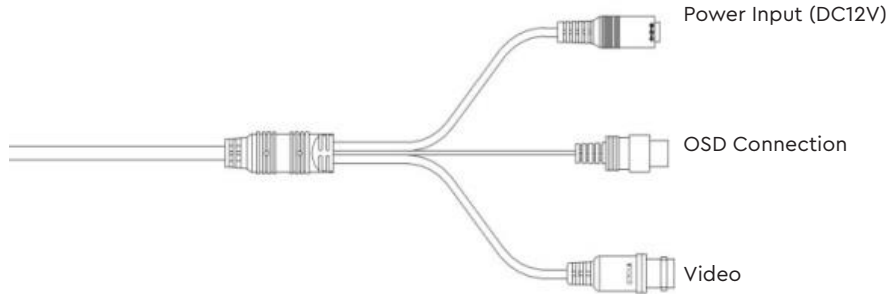
Camera	Image Sensor	1/2.8" Sony Starvis CMOS
	Resolution	1080p
	Minimum Illumination	0.001 Lux (F1.0)
	Lens	170° in horizontal view
	S / N Ratio	More than 50dB (AGC off)
	Scanning System	Progressive
	Video Output	AHD, TVI, CVI : 1080p, 720p, Analogue: NTSC/PAL, CVBS
Functions	D-WDR	Off / 0~8
	Sens-Up	Off / x2-x30
	Backlight	Off / BLC / HSBLC
	DNR	Off / Low / Middle / High
	Privacy Mask	4 masks
	Motion Detection	Off / On
Others	Ingress Protection	IP67
	Power Supply	DC12V
	Power Consumption	Max. 1.5W
	Operating Conditions	-10°C to 50°C, Humidity: 10% to 85%
	Dimensions	28 × 61.4 mm
	Weight	80g

Dimensions



Cable

CAUTION! Please use regulated power supply DC12V 500mA
Reverse Polarity Protection

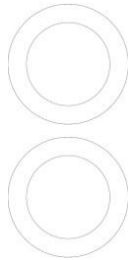


CVBS Mode: Push the Left OSD Key for 5 Seconds
AHD Mode: Push the Right OSD Key for 5 Seconds
CVI Mode: Push the Up OSD Key for 5 Seconds
TVI Mode: Push the Down OSD Key for 5 Seconds

Accessories



Hexagon Nut



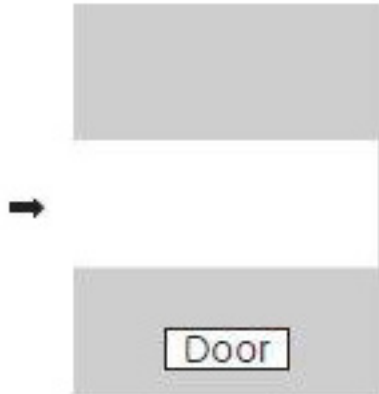
Ring x2



OSD

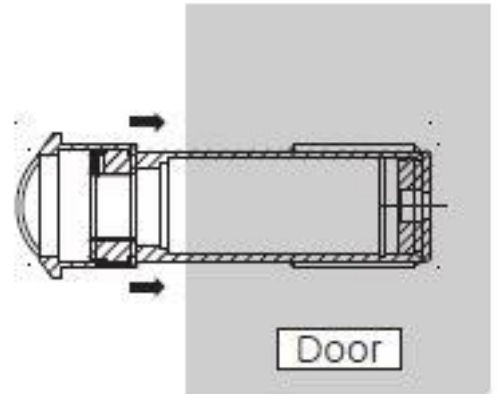
Installation

Step 1



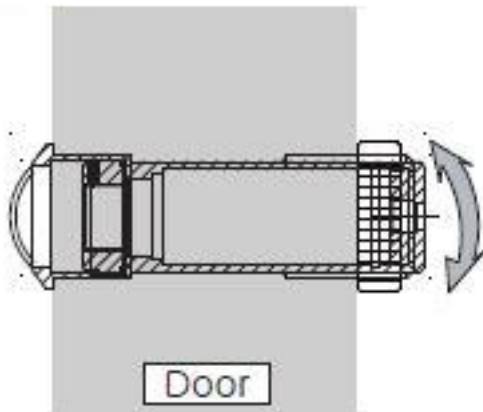
Make a hole in the door for the camera.

Step 2



Insert the camera into the hole in the door.

Step 3



Secure the camera with the rings and hexagon nut.

Sales +44(0)1707 330541

Enquiries sales@genieproducts.co.uk

Website www.genieproducts.co.uk

genie