

# 2MP AHD Corner Mount Camera with 2.8mm Lens

---

GAHDCMIR



## Quick Start Guide

Please read these instructions carefully before operating the unit and keep for further reference. All the examples and pictures used here are for reference only. The contents of this manual are subject to change without notice.

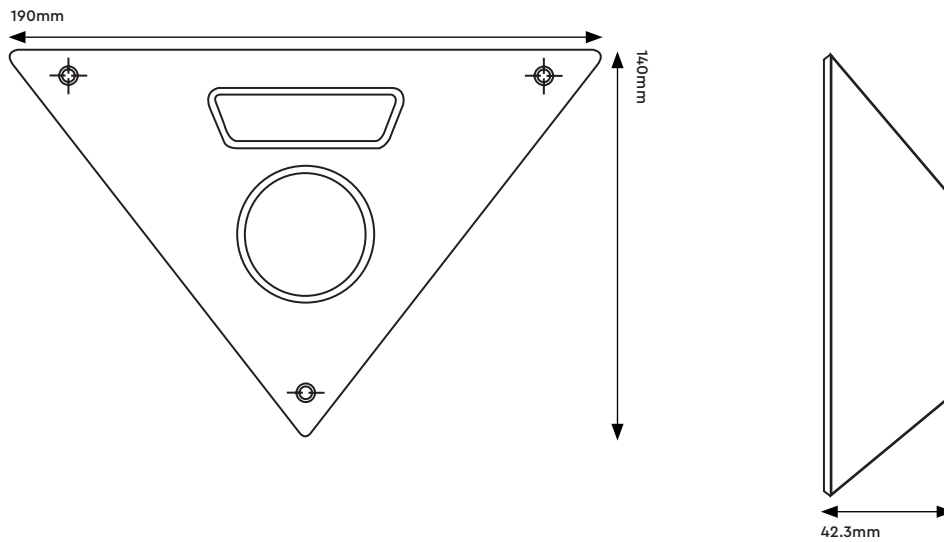
## Features

- 1/2.8" Sony Starvis CMOS sensor
- Full HD Mega Pixel (1080p)
- 4-in-1 (AHD, TVI, CVI, CVBS)
- 30 covert 940nm invisible IR LED's for discreet monitoring in the dark
- 2.8mm MP lens
- Vandal resistant metal front panel
- Auto compensation and Long range transmission
- 3D DNR (Digital Noise Reduction)
- UTC (OSD via coaxial cable)
- Sens-Up
- True Day & Night function with ICR mechanism
- D-WDR (Digital Wide Dynamic Range)
- Live defect detection and correction
- Built-in OSD and one-way audio
- DC12V
- NDAA compliant

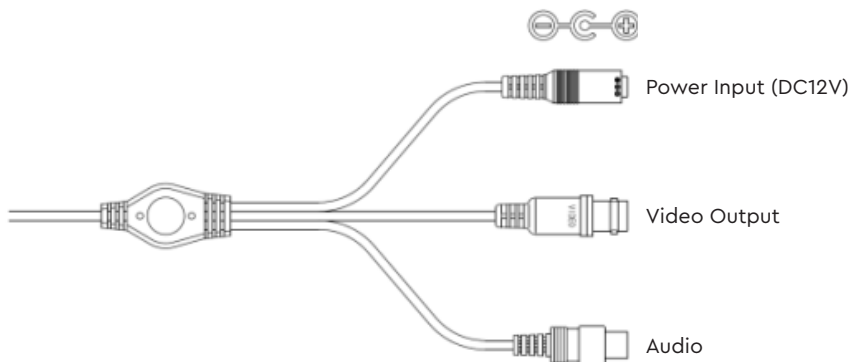
## Specifications

Camera	Image Sensor	1/2.8" Sony Starvis CMOS image sensor
	Active Pixel	1920 (H) x 1080 (V)
	Resolution	1080p @ 30fps / 1080p @ 25fps
	Minimum Illumination	Colour : 0.001 Lux (F=1.2), B&W : 0.000 Lux (IR on)
	Lens	2.8mm MP lens
	Shutter Speed	Auto / Manual (1/50(60) ~ 1/50,000 sec)
	S / N Ratio	More than 50dB (AGC off)
	Scanning System	Progressive
	Video Output	Universal AHD, CVI, TVI : 1080p, Analogue: NTSC / PAL CVBS
Functions	AGC	Off / 0-15
	D-WDR	Off / 0~8
	Sens-Up	Off x2 - x30
	Backlight	Off / BLC / HSBLC
	DNR	Off / Low / Middle / High
	Privacy Mask	4 Masks
	Motion Detection	Off / On
	Day & Night	Auto / Colour / B&W / Extern
	Defog	Off/Auto
	Brightness	0 - 100
	Sharpness	0 -10 steps
	Mirror	Off / Mirror / V-Flip / Rotate
	White Balance	ATW, AWC, Indoor, Outdoor, Manual, AWB
	Audio	One-way built-in
IR	940nm invisible IR	
Languages	13 languages	
Others	Power Supply	DC12V ±10%
	Power Consumption	Max. 3.5 Watt at IR on
	Operating Conditions	Temperature: - 10°C ~ 50°C, Humidity: 10% ~ 85%
	Dimensions	190 × 140 × 42.3 mm
	Weight	390g

## Dimensions



## Cable



**CAUTION!** Please use regulated power supply DC12V 500mA  
Reverse Polarity Protection

## Mode Change

CVBS Mode: Push the Left OSD Key for 5 Seconds  
AHD Mode: Push the Right OSD Key for 5 Seconds  
CVI Mode: Push the Up OSD Key for 5 Seconds  
TVI Mode: Push the Down OSD Key for 5 Seconds

## Accessories



Mounting Screws



L-Wrench

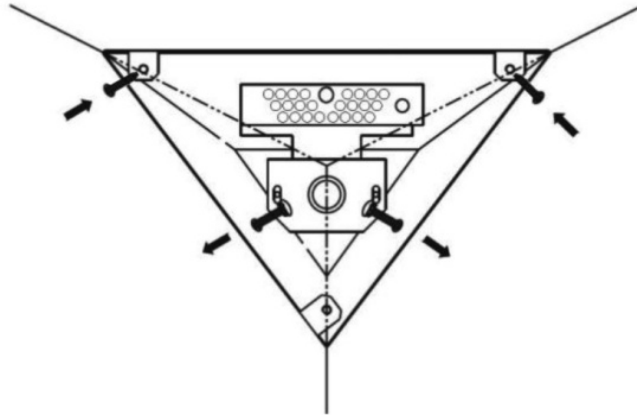


Sticker (Puddle up Screw Holes)

## **Installation**

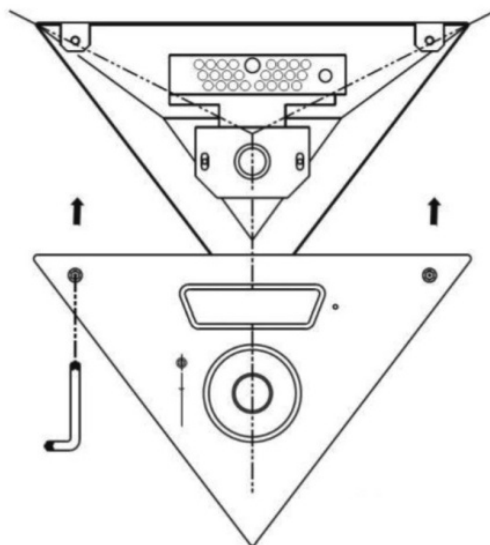
### Step 1

Fix the product on the corner by screws.



### Step 2

Put on the cover of the base and adjust direction and fix the cover on the base by L-Wrench.



**Sales** +44(0)1707 330541

**Enquiries** [sales@genieproducts.co.uk](mailto:sales@genieproducts.co.uk)

**Website** [www.genieproducts.co.uk](http://www.genieproducts.co.uk)

**genie**