

8MP H.265 IP IR Bullet Camera with 2.8–12mm Auto Focus Lens and Facial Recognition

WIPX8BVAF5



Quick Start Guide

Please read these instructions carefully before operating the unit
and keep for further reference.

genie

Please read this instruction carefully before operating the product and keep it for further reference. All examples and pictures used here are for reference only. The contents of this manual are subject to change without notice.

CAUTION:

- If the product does not work properly, please contact your dealer or the nearest service centre. Never attempt to disassemble the camera yourself. We shall not be responsible for any problems caused by unauthorised repair or maintenance.
- Do not allow water or liquid into the camera while in use.
- When using the product, you must be in strict compliance with the electrical safety regulations of the nation and region.
- When the product is mounted on wall or ceiling, the device needs to be firmly fixed.
- Make sure the power supply voltage is correct before using the camera.
- Do not drop the camera or subject it to any physical shock.
- If cleaning, please use a clean soft cloth with a little neutral detergent to wipe it gently.
- Do not aim the camera at the sun or in any area where there is bright lighting.
- The device may be burned out by a laser beam, so when any laser equipment is in use, make sure that the surface of the device will not be exposed to the laser beam.
- Do not place the camera in extremely hot, cold, dusty or damp locations, and do not expose it to high electromagnetic radiation.
- To avoid heat accumulation, good ventilation is required for operating environment.

1.0 Introduction.....	4
1.1 Product Features.....	4
1.2 Product Dimensions	4
1.3 Contents	4
1.4 Specification	5
2.0 Overview.....	7
3.0 Installation.....	9
4.0 Network Connection	11

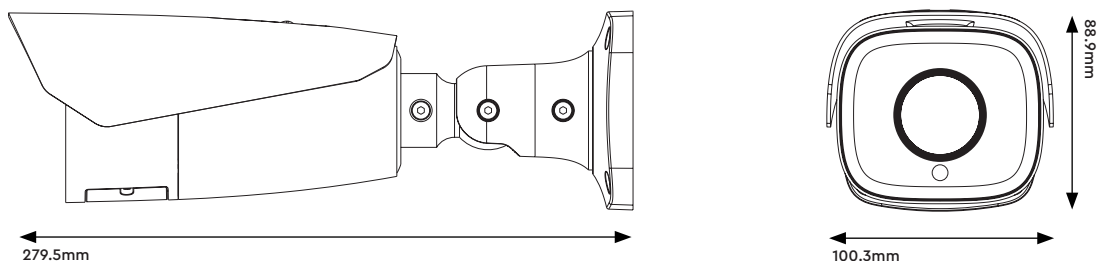
1.0 Introduction

The Genie WIPX8BVA5 is an 8MP IP IR bullet camera with a 2.8-12mm auto focus lens. The camera features intelligent analytics as well as facial recognition when paired with any Genie AI NVR.

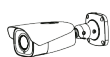
1.1 Product Features

- Smart H.265 / H.264 coding
- Maximum resolution: 8MP (3840 × 2160)
- ICR auto switch, true day / night vision
- 1CH alarm input, 1CH alarm output
- 3D DNR, true WDR, HLC, BLC and ROI coding
- 50~70m IR night view distance, motorised zoom lens
- 1CH CVBS video output
- 1CH alarm input, 1CH alarm output
- Built-in micro SD card slot, up to 256GB
- DC12V/PoE power supply
- Supports three streams
- IP67 ingress protection
- Intelligent analytics

1.2 Product Dimensions



1.3 Contents



Camera



Quick Start Guide



4 Tapping Screws PA 4×25
1 Machine Screw PWM3×5



CD



Drill Template



Plastic Plug x4



L-Wrench



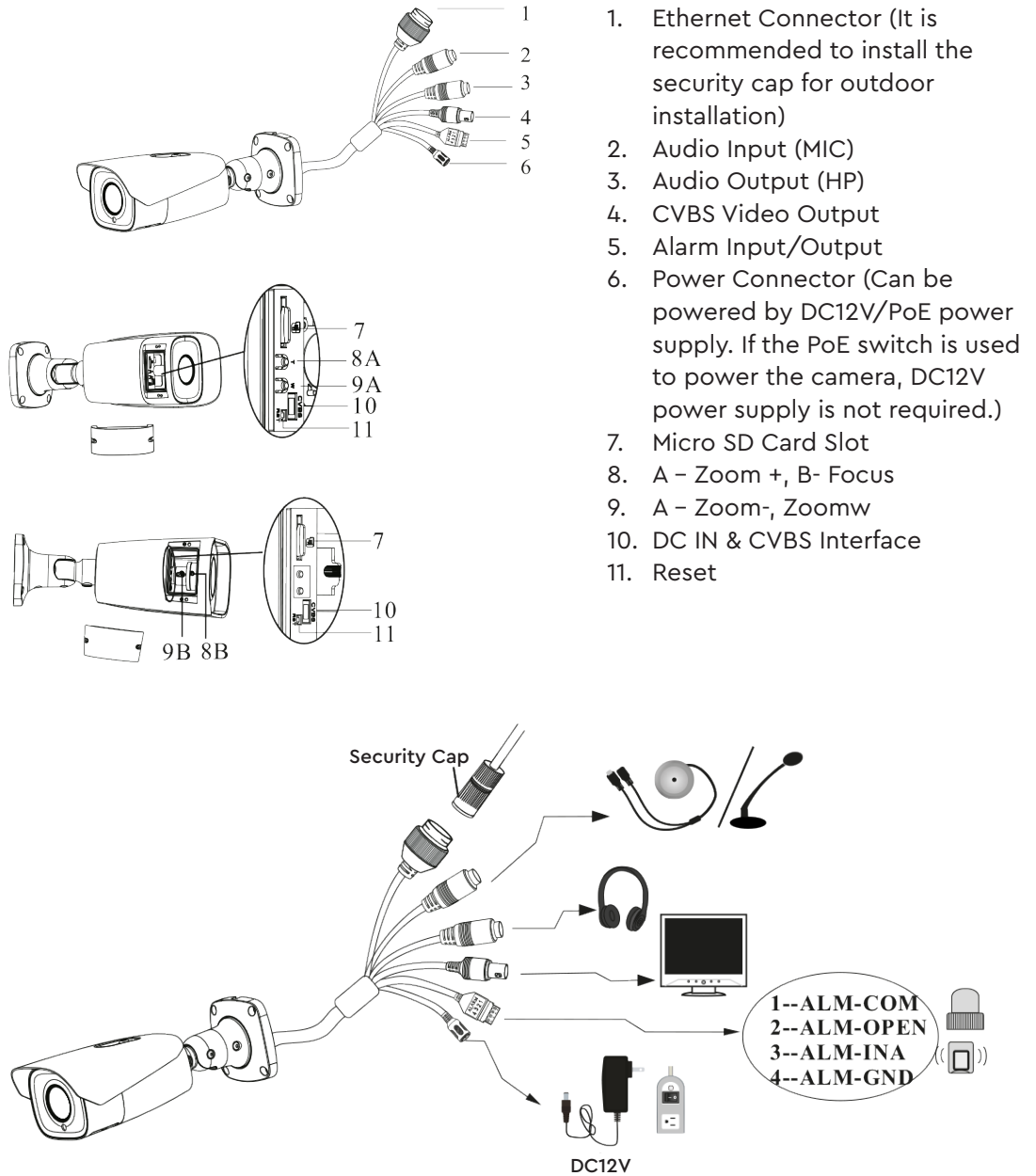
CVBS & DC In Cables

1.4 Specification

Camera	Image Sensor	1 / 2.8" CMOS	
	Image Size	3840 × 2160	
	Electronic Shutter	1 / 25 s ~ 1 / 100000 s	
	Iris Type	DC Iris	
	Minimum Illumination	0.01 Lux @ F1.2, AGC ON, 0 Lux with IR 0.015 Lux @ F1.4, AGC ON, 0 Lux with IR Lens	
	Lens	2.8~12mm @ F1.4, motorised zoom lens	
	Lens Mount	Ø14	
	Field of View	Horizontal: 96°~32°, Vertical: 64°~18.4°, Diagonal: 103.8°~36.5°	
	Day & Night	ICR	
	Wide Dynamic Range	120dB	
	BLC	Yes	
	HLC	Yes	
	Defog	Yes	
	Digital NR	3D DNR	
	Angle Adjustment	Pan: 0°~360°, Tilt: 0°~90°, Rotation: 0°~360°	
	Image	Video Compression	Smart H.265, H.265+, H.265, Smart H.264, H.264+, H.264, MJPEG
H.264 Compression Standard		Baseline Profile, Main Profile, High Profile	
Resolution		8MP (3840 × 2160), 6MP (3072 × 2048), 5MP (2592 × 1944), 4MP (2592 × 1520), 2K (2560 × 1440), 3MP (2304 × 1296), 1080p (1920 × 1080), 720p (1280 × 720), D1, CIF, 480 × 240	
Main Stream		60Hz: 8MP, 6MP (1~20fps), 5MP, 4MP, 2K, 3MP, 1080p, 720p (1~30fps), 50Hz: 8MP, 6MP (1~20fps), 5MP, 4MP, 2K, 3MP, 1080p, 720p (1~25fps) HFR Mode: 1080p, 720p (60Hz: 1~60fps, 50Hz: 1~50fps)	
Sub Stream		720p, D1, CIF, 480 × 240 (60Hz: 1~30fps, 50Hz: 1~25fps)	
Third Stream		D1, CIF, 480 × 240 (60Hz: 1~30fps, 50Hz: 1~25fps)	
Bit Rate		64 Kbps ~ 12 Mbps	
Bit Rate Type		VBR / CBR	
Audio Compression		G711A / U	
Image Settings		ROI, Saturation, Brightness, Chroma, Contrast, Wide Dynamic, Sharpen, NR, etc. Adjustable through client software or web browser.	
ROI	Each ROI to be configured separately		
Functions	Remote Monitoring	Web browsing, CMS remote control	
	Online Connection	Supports simultaneous monitoring for up to 10 users. Supports multi-stream real time transmission.	
	Network Protocol	UDP, IPv4, IPv6, DHCP, NTP, RTSP, PPPoE, DDNS, SMTP, FTP, SNMP, HTTP, 802.1x, UPnP, HTTPs, QoS	
	Interface Protocol	Onvif compatible	
	Intelligent Analytics	Line crossing	
		Region entrance / exiting / intrusion (human / motor vehicle / non-motor vehicle classification).	
		Line crossing human / motor vehicle / non-motor vehicle counting scene change	
		Video blur and video colour cast detection	
	Storage	Face recognition and face capture	
		Network remote storage, micro SD card storage	
	Smart Alarm	Motion detection, sensor alarm, SD card error, SD card full, IP address conflict, cable disconnection	
General Function	Watermark, IP address filtering, video mask, heartbeat, password protection, non-photosensitive switch, image distortion correction		
PoE	Yes , IEEE802.3af		
IR Distance	50 ~ 70 m		

Interface	Network	RJ45
	Video Output	CVBS output (BNC x1)
	Audio	1CH audio input, 1CH audio output
	Alarm	1CH alarm input, 1CH alarm output
	Storage	Built-in micro SD card slot, up to 256GB
	Hardware Reset	Yes
Others	Ingress Protection	IP67
	Power Supply	DC12V / PoE
	Power Consumption	< 12W
	Operating Environment	- 30 °C ~ 60°C (-22°F~140°F), Humidity: Less than 95% (Non-condensing)
	Dimensions	279.5 × 100.3 × 88.9 mm
	Weight	Approx. 1.04 Kg

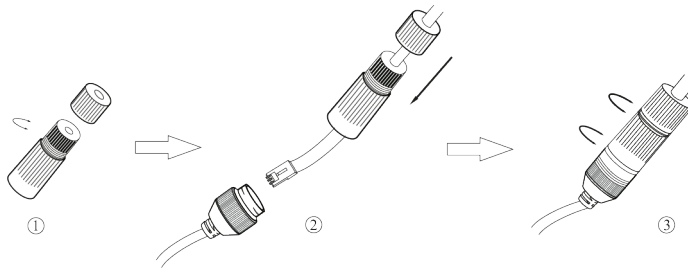
2.0 Overview



Alarm Input: Join the grounding ends of the sensor and the camera and then connect the signal cable of the sensor to the alarm input port of the camera.

Alarm Output: Loosen the screws in the alarm output port. Then insert the signal wires of the alarm output devices into the port of COM and OPEN separately. Finally tighten the screws. Some of the external alarm output devices need the power supply.

Connecting Network Cable

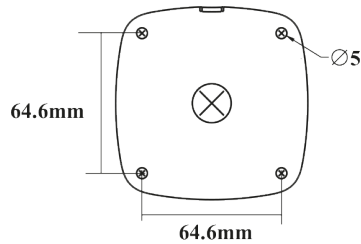


1. Loosen the nut from the main element.
2. Run the network cable (without RJ 45 connector) through both elements. Then crimp the cable with RJ 45 connector.
3. Connect the cable to the hermetic connector. Then tighten the nut and the main cover.

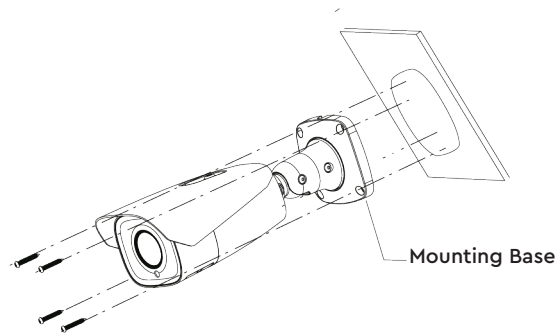
3.0 Installation

Please make sure that the wall or ceiling is strong enough to withstand 3 times the weight of the camera. Please install the camera in and under a dry environment and place the cover of the camera within 4 hours of removing it.

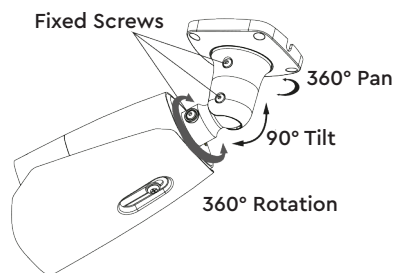
1. Drill the screw holes and the cable hole (if you want to route through the ceiling) on the wall or ceiling according to the drill template.



2. Route and connect the cables.
3. Secure the mounting base with camera to the wall with the screws provided.

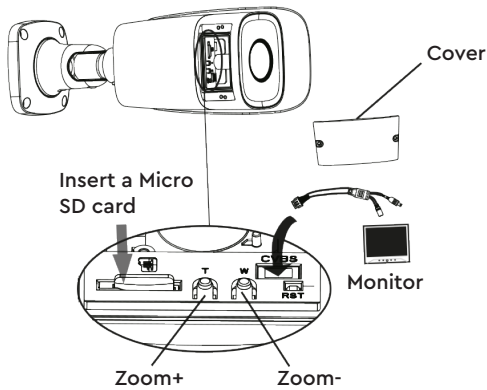


4. Bracket adjustment. Before adjustment, preview the image of the camera on a monitor and then loosen the fixed screws to adjust the view angle of the camera. After, tighten the fixed screws.

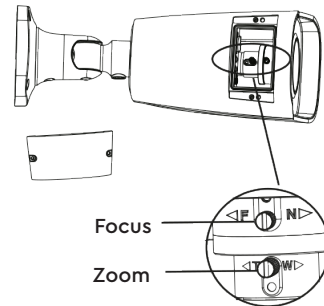


- Open the cover of the camera as shown in the following figure and then insert a micro SD card. After that, adjust Zoom or Focus to obtain an optimum image. Press the T or W button for Type A; adjust the Focus and Zoom screws for Type B. Before adjustment, view the image of the camera on a monitor.

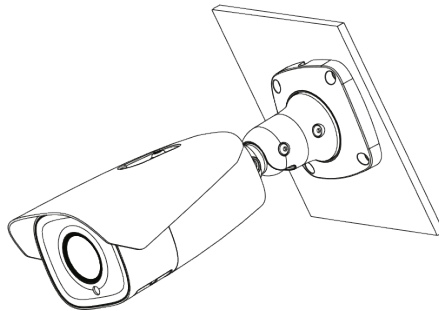
Type A- Motorised Zoom Camera



Type B- Manual Zoom Camera

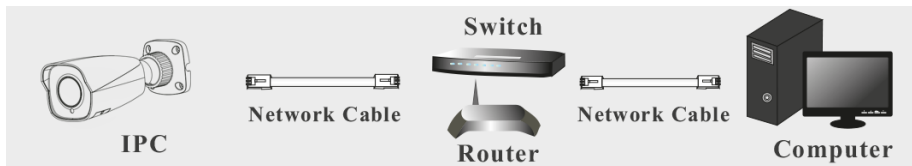


- Install the cover back to the camera and fix it firmly with the screws. (Note that the cover should not be installed unevenly).

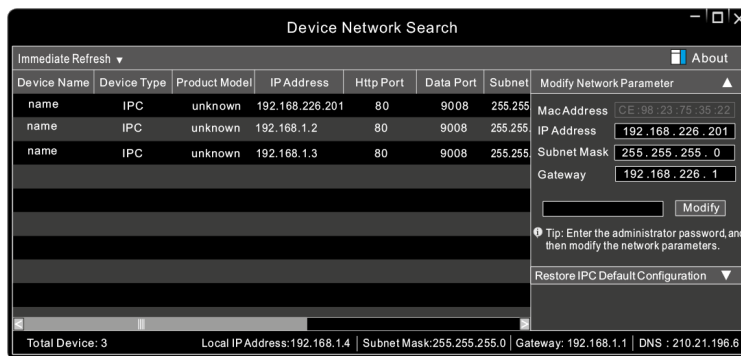


4.0 Network Connection

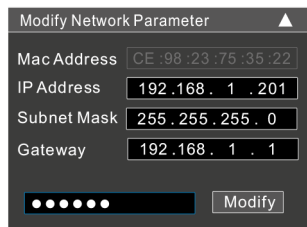
Access the Camera through the IP Tool



1. Make sure that the camera and the PC are well connected via LAN.
2. Find the IP-Tool from the CD and then install it in the computer. After that, run the IP Tool as shown below.



3. Modify the IP address. The default IP address of this camera is 192.168.226.201. Click the information of the camera listed in the above table to show the network information on the right hand. Modify the IP address and gateway of the camera and make sure its network address is in the same local network segment as that of the computer. Please modify the IP address of your device according to the practical situation.



For example, the IP address of your computer is 192.168.1.4. So the IP address of the camera shall be changed to 192.168.1.X and the gateway shall be changed to 192.168.1.1. After modification, please enter the password of the administrator and click "Modify" button to modify the settings. The default password of the administrator is "123456".

4. Double-click the camera listed in the IP-Tool or manually enter the IP address in the address bar of the web browser to connect IP-CAM. Then follow directions to download and install the plugin. Enter the username and password in the login interface. The default username is admin; the default password is 123456.

Sales +44(0)1707 330541

Enquiries sales@genieproducts.co.uk

Website www.genieproducts.co.uk

genie