

# 2MP IP Lite IR Varifocal Bullet Camera with 2.8–12mm Lens

---

WIP2BVLG



Quick Start Guide

Please read these instructions carefully before operating the unit and keep for further reference.

genie

Please read this instruction carefully before operating the product and keep it for further reference. All examples and pictures used here are for reference only. The contents of this manual are subject to change without notice.

### **CAUTION:**

- If the product does not work properly, please contact your dealer or the nearest service centre. Never attempt to disassemble the camera yourself. We shall not be responsible for any problems caused by unauthorised repair or maintenance.
- Do not allow water or liquid into the camera while in use.
- When using the product, you must be in strict compliance with the electrical safety regulations of the nation and region.
- When the product is mounted on wall or ceiling, the device needs to be firmly fixed.
- Make sure the power supply voltage is correct before using the camera.
- Do not drop the camera or subject it to any physical shock.
- If cleaning, please use a clean soft cloth with a little neutral detergent to wipe it gently.
- Do not aim the camera at the sun or in any area where there is bright lighting.
- The device may be burned out by a laser beam, so when any laser equipment is in use, make sure that the surface of the device will not be exposed to the laser beam.
- Do not place the camera in extremely hot, cold, dusty or damp locations, and do not expose it to high electromagnetic radiation.
- To avoid heat accumulation, good ventilation is required for operating environment.

1.0 Introduction.....	4
1.1 Product Features.....	4
1.2 Product Dimensions .....	4
1.3 Contents .....	4
1.4 Specification .....	5
2.0 Overview.....	6
3.0 Installation.....	7
4.0 Network Connection .....	9

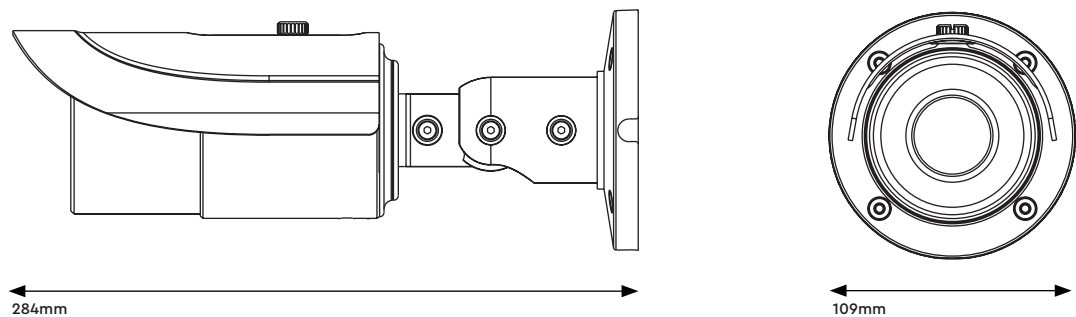
## 1.0 Introduction

The Genie WIP2BVLG is an IP IR varifocal bullet camera with a 2.8-12mm lens and 20-30m IR distance in ideal conditions. The camera has 1080p full real time coding as well as remote monitoring in a grey finish.

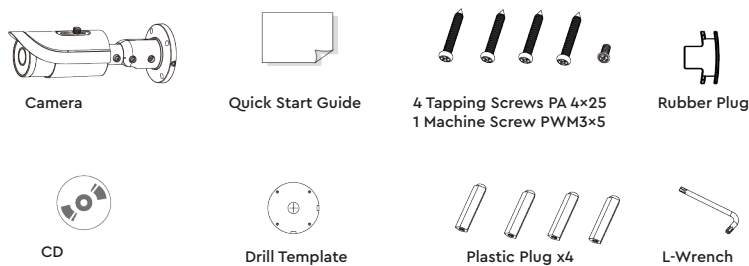
### 1.1 Product Features

- 1080p full real time coding
- 20-30m IR distance (In ideal conditions)
- 2.8-12mm megapixel lens
- 3D DNR
- Digital WDR
- True day / night
- MIC / Line in G.711A / U Audio Codec
- IP and MAC address filtering
- Configuration backup
- Alarm image size dependent on set stream resolution
- RTSP streaming with or without authentication
- Mirror and flip image
- Multiple privacy masking
- Remote monitoring
- Supports smart phones and tablets

### 1.2 Product Dimensions



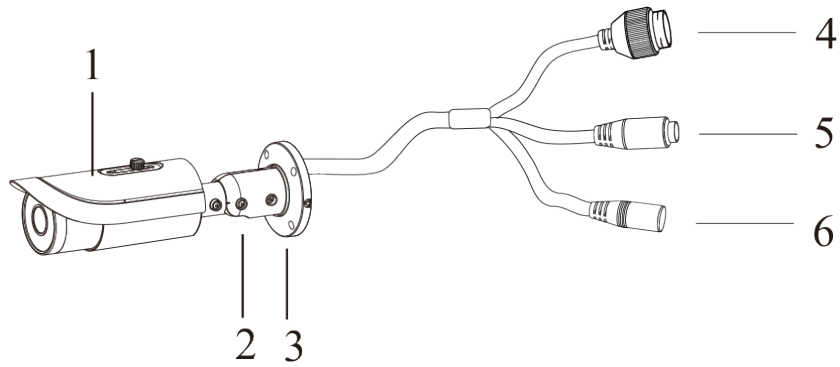
### 1.3 Contents



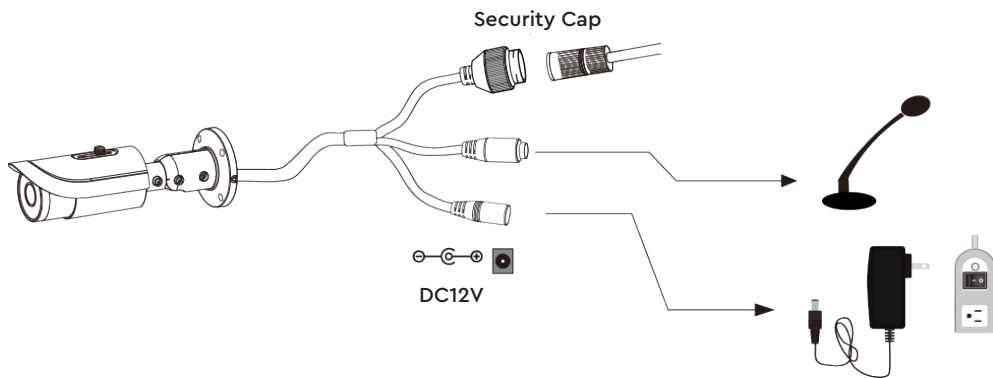
### 1.4 Specification

Camera	Image Sensor	1/3" CMOS
	Image Size	1920 × 1080
	Electronic Shutter	1/25s ~ 1/100,000s
	Effective Pixels	752 (H) × 582 (V)
	Minimum Illumination	0 Lux (IR LED On)
	Lens	2.8 ~ 12mm
	Video Format	PAL / NTSC
	Wide Dynamic Range	Yes
	3D DNR	Yes
Image	Video Compression	H.264
	Resolution	1080p (1920 × 1080), 720p (1280 × 720), VGA (640 × 480), QVGA (320 × 240)
	Multi-Stream	1920 × 1080 (1–30fps), 1280 × 720 (1–30fps), 1280 × 720 (1–10fps), 640 × 480 (1–30fps), 320 × 240 (1–30fps)
	Bit Rate	64Kbps ~ 4Mbps
	Encode Mode	VBR / CBR
	Audio Compression	G711A
	Quality	Five levels under VBR, Freely adjustable under CBR
Functions	Image Settings	Saturation, Brightness, Contrast, etc (Adjustable through client software or web browser)
	Remote Monitoring	IE browsing, CMS remote control
	Online Connection	Supports simultaneous monitoring for up to 4 Users. Supports multi-stream real time transmission
	Protocol	TCP/IP, UDP, DHCP, NTP, RTSP, PPPoE, DDNS, SMTP, FTP
	Day & Night	ICR
	Smart Alarm	Motion alarm
Interface	IR Distance	Up to 25m (In ideal conditions)
	Network	RJ45
Others	Audio	One way audio (MIC in x1)
	Ingress Protection	IP66
	Power Supply	DC12V / PoE
	Operating Environment	Temperature: -40°C ~ 50°C, Humidity: 10% ~ 90%
	Dimensions	109 × 284 mm
	Weight	1115g

## 2.0 Overview

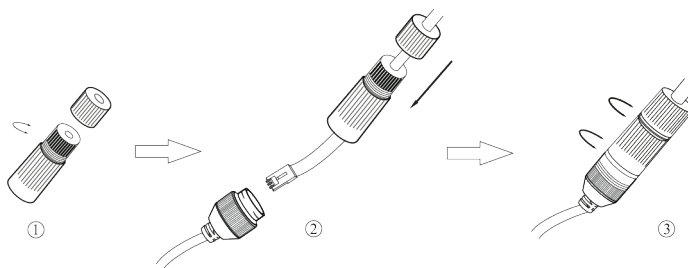


- |                  |                  |
|------------------|------------------|
| 1. Sunshield     | 4. Network Cable |
| 2. Bracket       | 5. MIC In Cable  |
| 3. Mounting Base | 6. Power Cable   |



It is recommended to install the security cap for outdoor installation.  
If the PoE switch is used, the DC12V power supply is not required.

### Connecting Network Cable

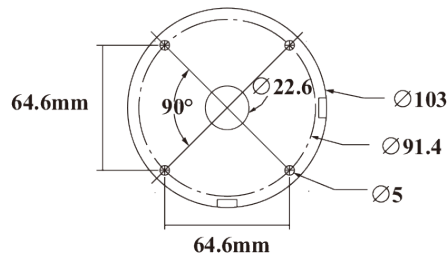


1. Loosen the nut from the main element.
2. Run the network cable (without RJ 45 connector) through both elements. Then crimp the cable with RJ 45 connector.
3. Connect the cable to the hermetic connector. Then tighten the nut and the main cover.

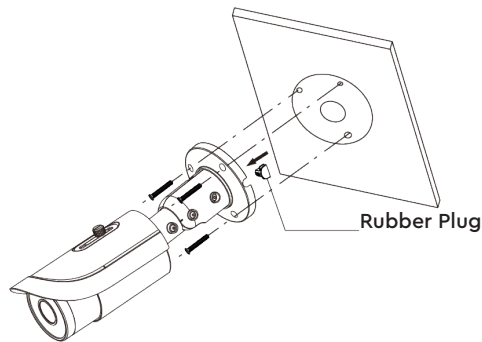
## 3.0 Installation

Please make sure that the wall or ceiling is strong enough to withstand 3 times the weight of the camera. Please install the camera in and under a dry environment and place the cover of the camera within 4 hours of removing it.

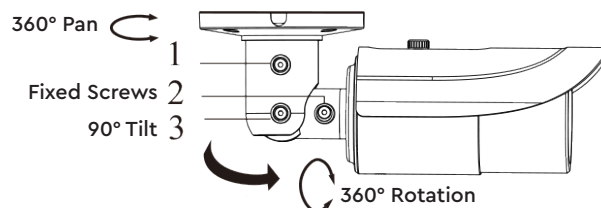
1. Drill the screw holes and the cable hole (if you want to route through the ceiling) on the wall or ceiling according to the drill template.



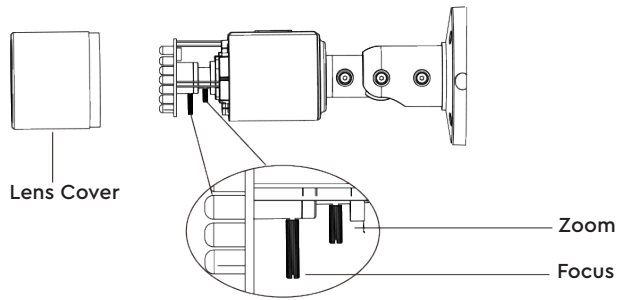
2. Route and connect the cables.
3. Secure the mounting base with camera to the wall with the screws provided.



4. Bracket adjustment. Before adjustment, preview the image of the camera on a monitor and then loosen the fixed screws to adjust the view angle of the camera.



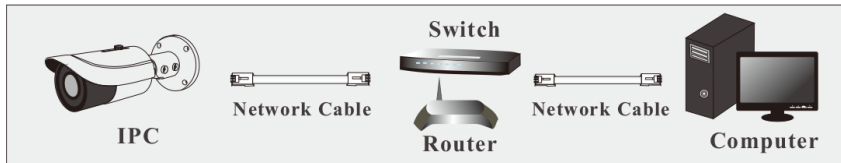
5. Focus and zoom adjustment (If the model you get is prime lens, please skip this step). Remove the lens cover and then adjust the focus and zoom screws to get a clear image. Finally, tighten these two screws and the lens cover.



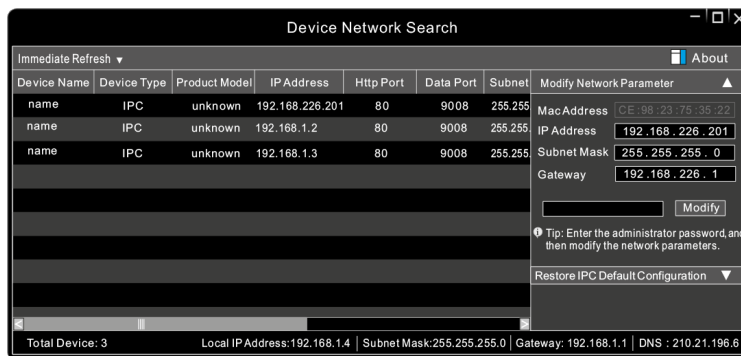
6. Remove the protection film softly to finish the installation.



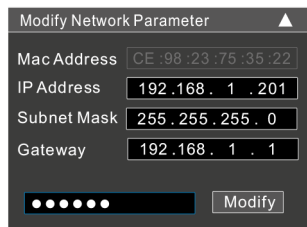
### Access the Camera through the IP Tool



1. Make sure that the camera and the PC are well connected via LAN.
2. Find the IP-Tool from the CD and then install it in the computer. After that, run the IP Tool as shown below.



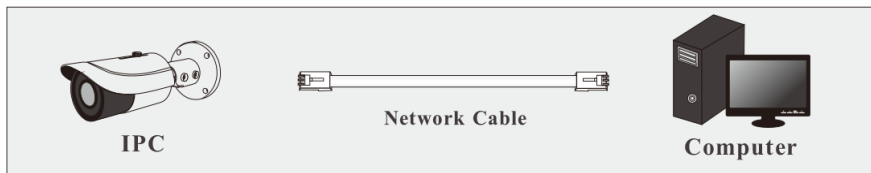
3. Modify the IP address. The default IP address of this camera is 192.168.226.201. Click the information of the camera listed in the above table to show the network information on the right hand. Modify the IP address and gateway of the camera and make sure its network address is in the same local network segment as that of the computer. Please modify the IP address of your device according to the practical situation.



For example, the IP address of your computer is 192.168.1.4. So the IP address of the camera shall be changed to 192.168.1.X and the gateway shall be changed to 192.168.1.1. After modification, please enter the password of the administrator and click "Modify" button to modify the settings. The default password of the administrator is "123456".

4. Double-click the camera listed in the IP-Tool or manually enter the IP address in the address bar of the web browser to connect IP-CAM. Then follow directions to download and install the plugin. Enter the username and password in the login interface. The default username is admin; the default password is 123456.

### Direct Access Through IE

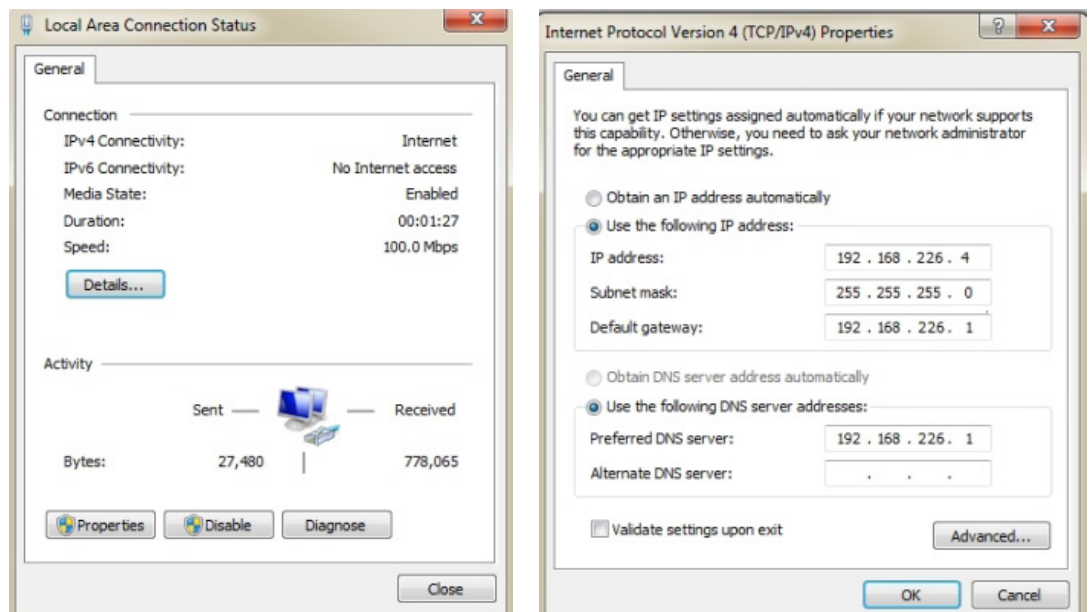


The default network settings are as shown below:

IP address: 192.168.226.201  
Subnet Mask: 255.255.255.0  
Gateway: 192.168.226.1  
HTTP: 80  
Data Port: 9008

You can use the above default settings when you log into the camera for the first time.

1. Set the IP address of the PC and make sure the network segment should be as the same as the default settings of IP-CAM. Open the network and share center. Click "Local Area Connection" to pop up the following window. Select "Properties" and then select Internet protocol according to the actual situation (for example: IPv4). Next, click "Properties" button to set the network of the PC.



2. Open the IE browser and input the default address of IP-CAM and confirm. The IE browser will download Active X control automatically.
3. After the Active X control is downloaded, the login dialog box will pop up.
4. Input the default username and password and then enter to view.

**Sales** +44(0)1707 330541

**Enquiries** [sales@genieproducts.co.uk](mailto:sales@genieproducts.co.uk)

**Website** [www.genieproducts.co.uk](http://www.genieproducts.co.uk)

**genie**