

Installation Guide for UBio-X Iris V1.0

Iris Recognition Terminal



Distributed by



Doc Ver1.0

JULY.,20.2020

R&D Center

Union Community Co., Ltd.

1. The maximum cable length & thickness for installation

1) Using 15V 4A Power Supply & AWG24



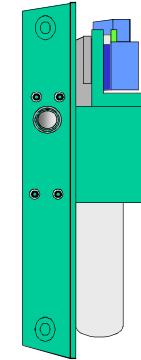
15V 4A Adapter

AWG24 10m



UBio-X Iris

AWG24 10m



Dead-Bolt
BEHOST BHL-700C
(Standby:0.15A, Start:0.9A)

2) Using 15V 4A Power Supply & AWG22



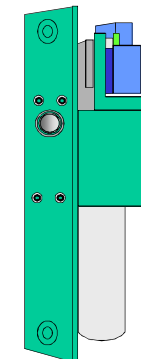
15V 4A Adapter

AWG22 20m



UBio-X Iris

AWG22 10m



Dead-Bolt
BEHOST BHL-700C
(Standby:0.15A, Start:0.9A)

* Caution: The above data are the measured values when using the adapters and the dead-bolts provided by the Union Community.

1. The maximum cable length & thickness for installation

1) Using 15V 4A Power Supply & AWG20



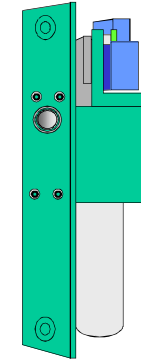
15V 4A Adapter

AWG20 40m



UBio-X Iris

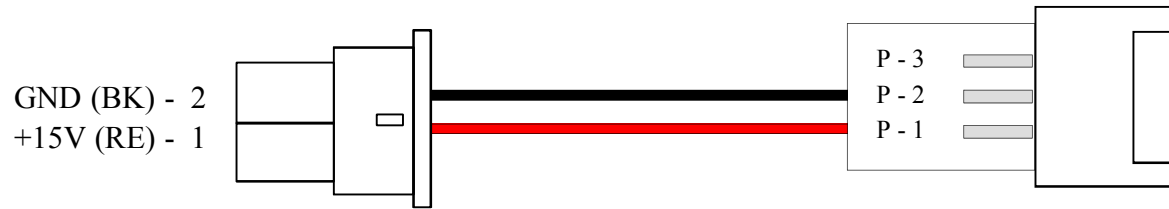
AWG20 10m



Dead-Bolt
BEHOST BHL-700C
(Standby:0.15A, Start:0.9A)

* Caution: The above data are the measured values when using the adapters and the dead-bolts provided by the Union Community.

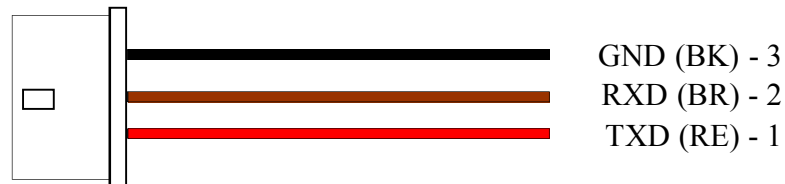
2. Description of External Cables



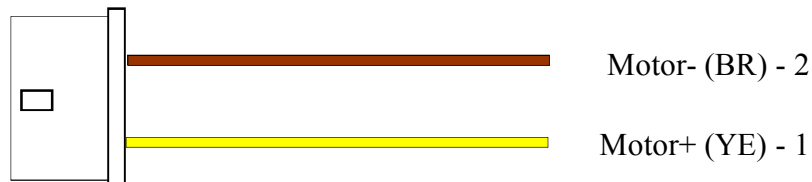
Power Adapter Cable



Wiegand Cable (5P)

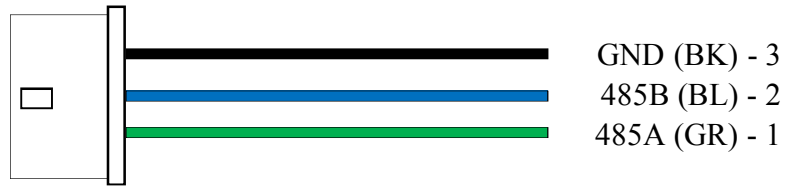


RS232 Cable (3P)



Motor Lock Cable (2P)

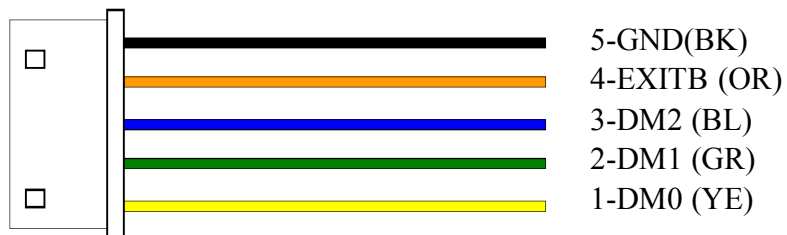
2. Description of External Cables



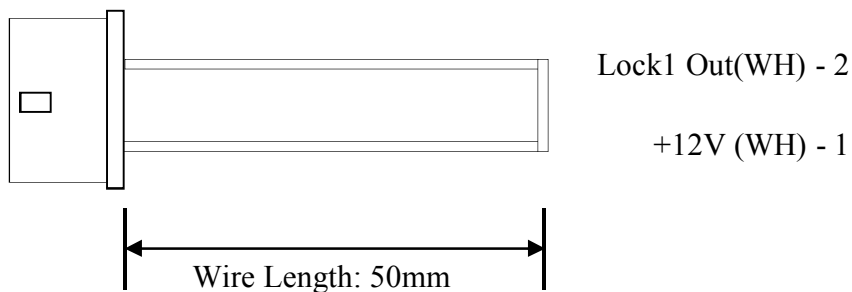
RS485 Cable (3P)



Lock Cable (5P)

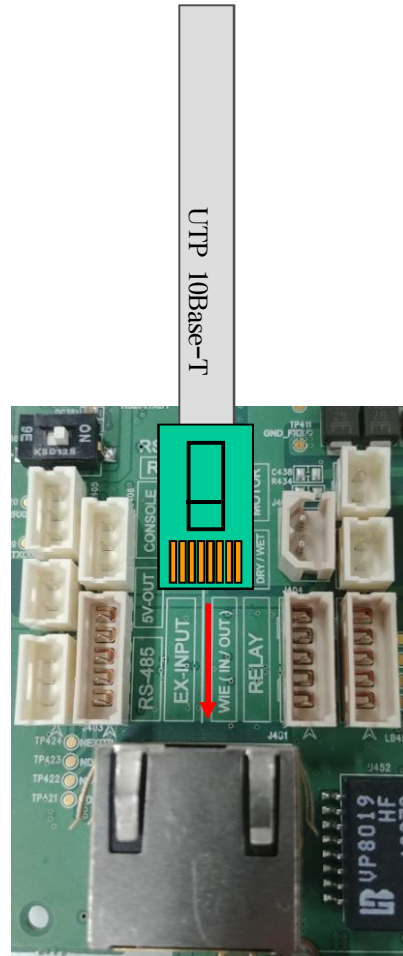


Lock Status Cable (5P)

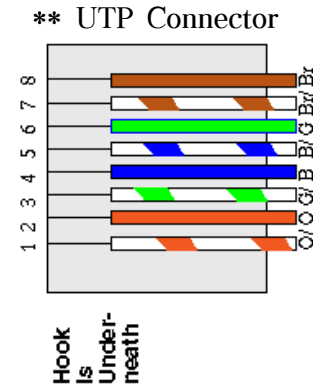


Lock1 Power Cable (2P)

3. Connecting Ethernet (LAN) Cable

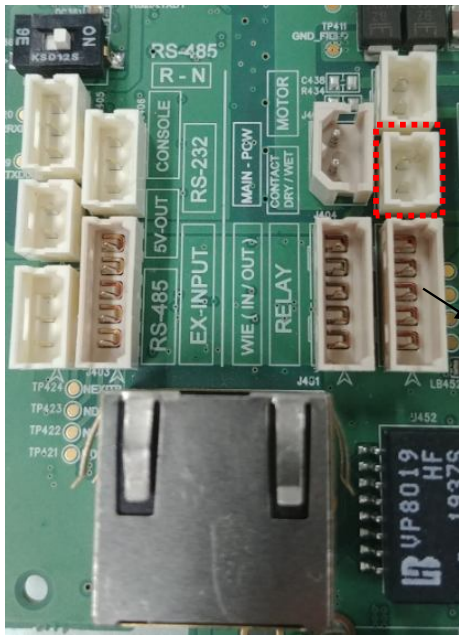


J451(RJ45)

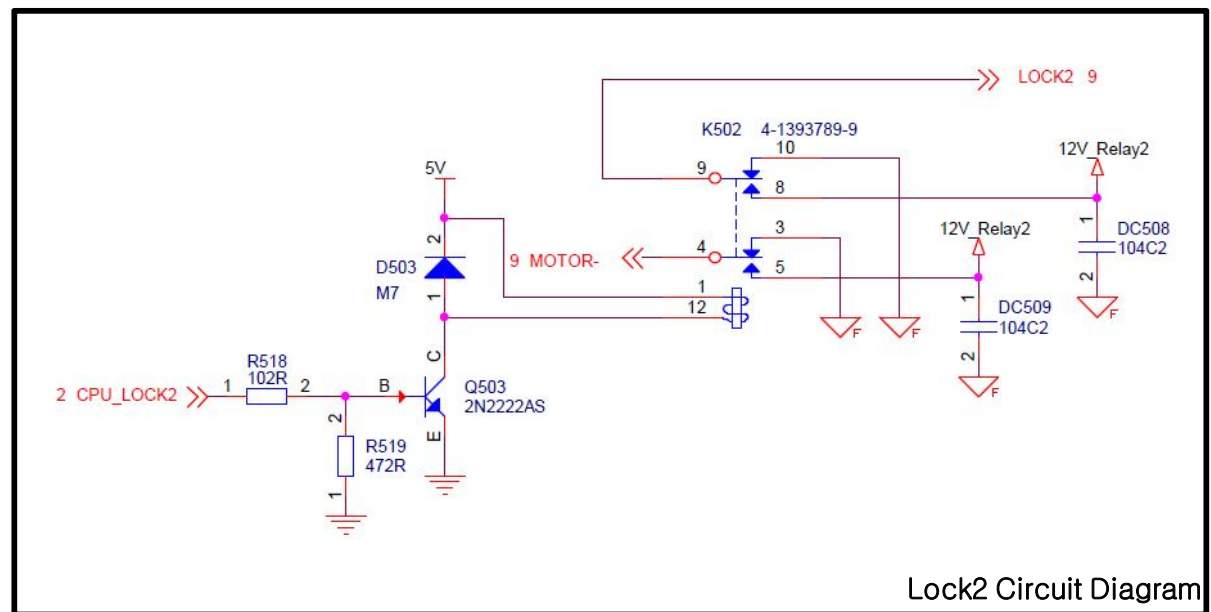
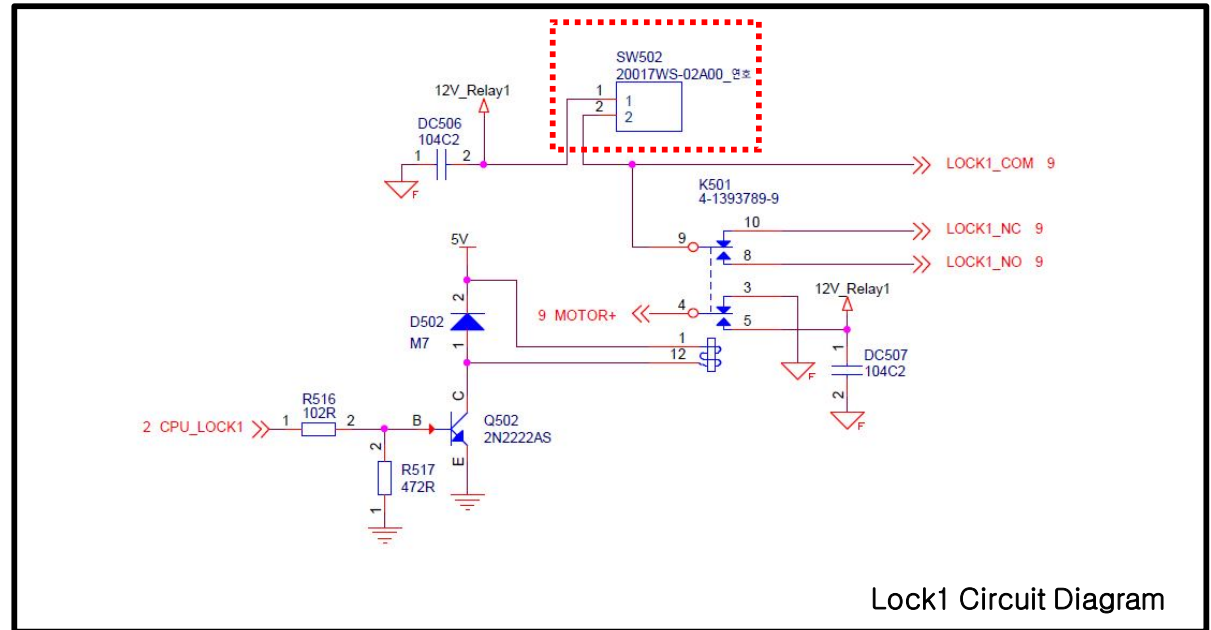


4. Switch description for lock setting

SW502
Lock1 Power OFF(Cut) ↔ Lock1 Power ON(Connect)

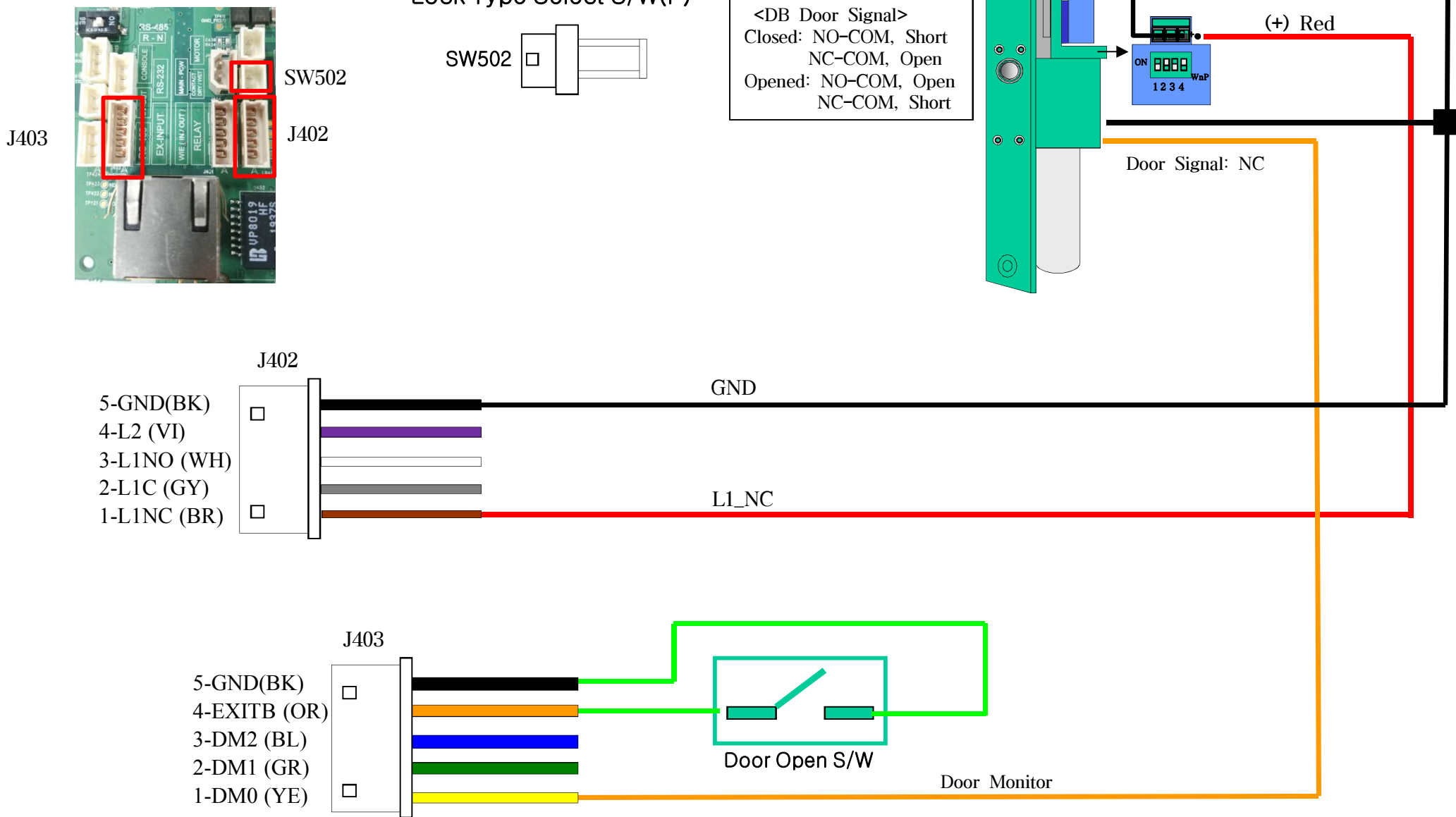


SW502
GND
L2
L1_NO
L1_COM
L1_NC



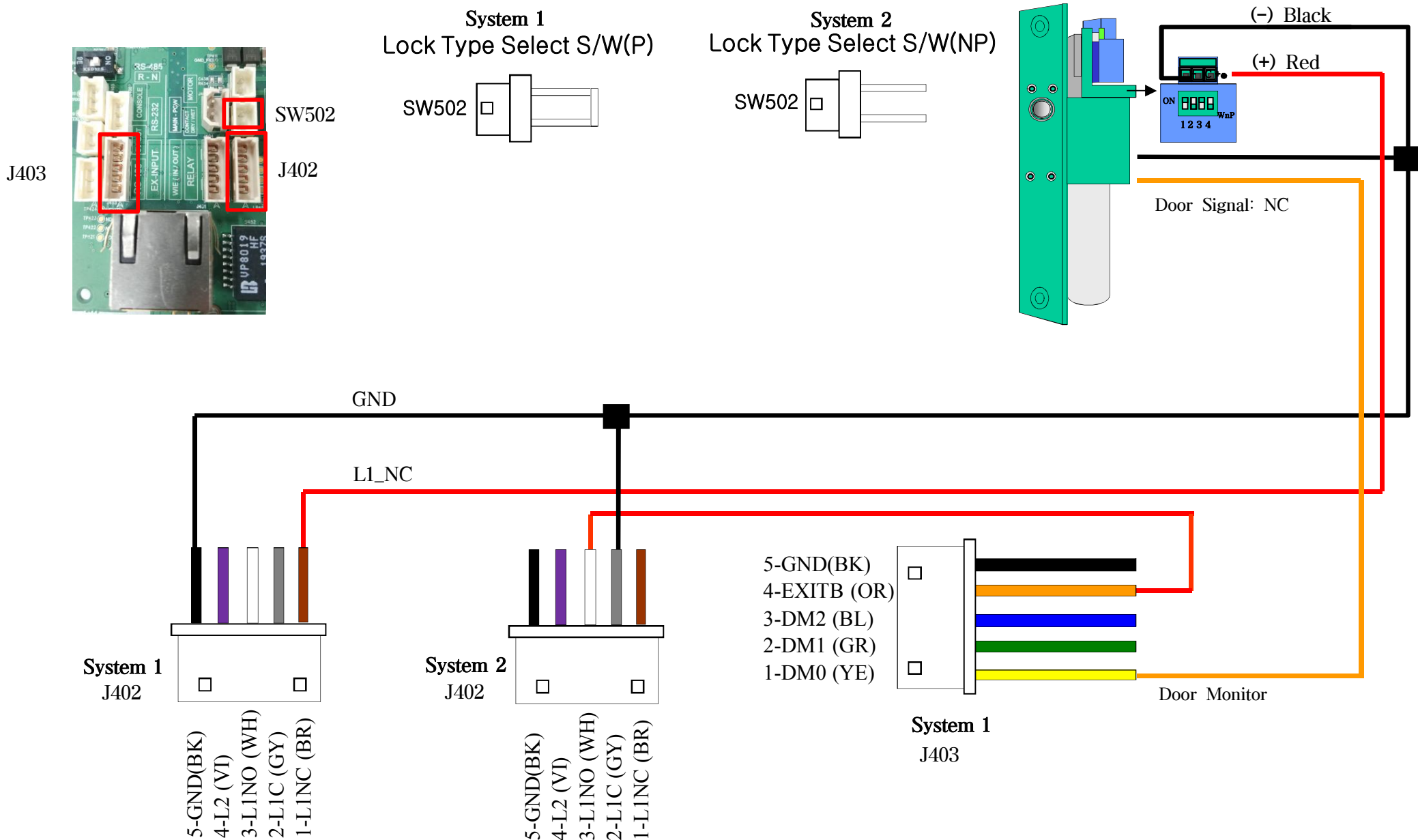
5. Connecting a Dead-Bolt Type Door Lock (Fail Safe)

5.1. Connecting One System/ One Lock



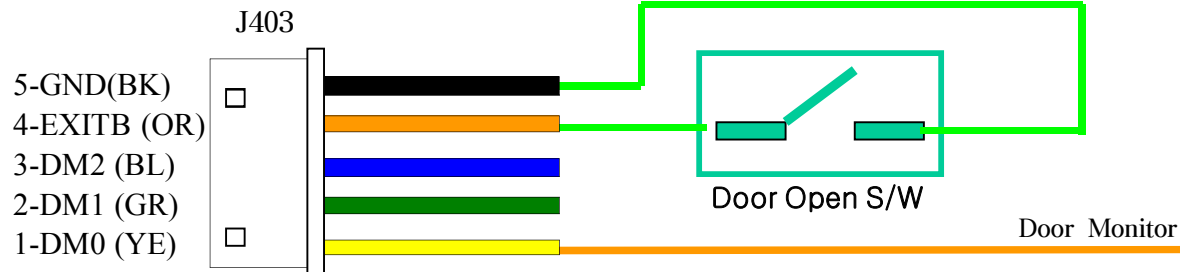
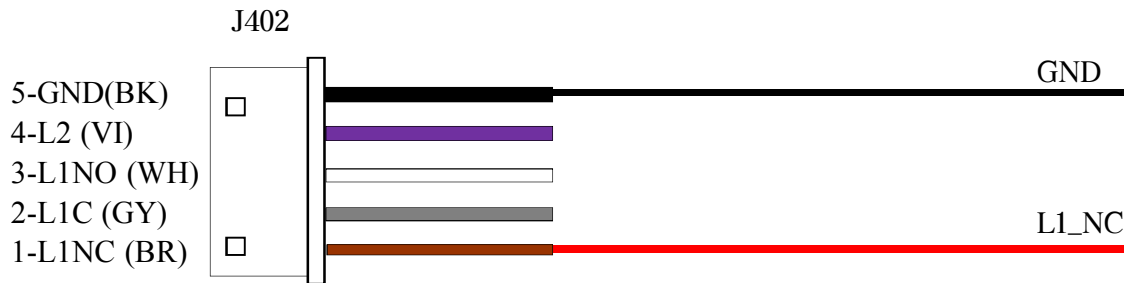
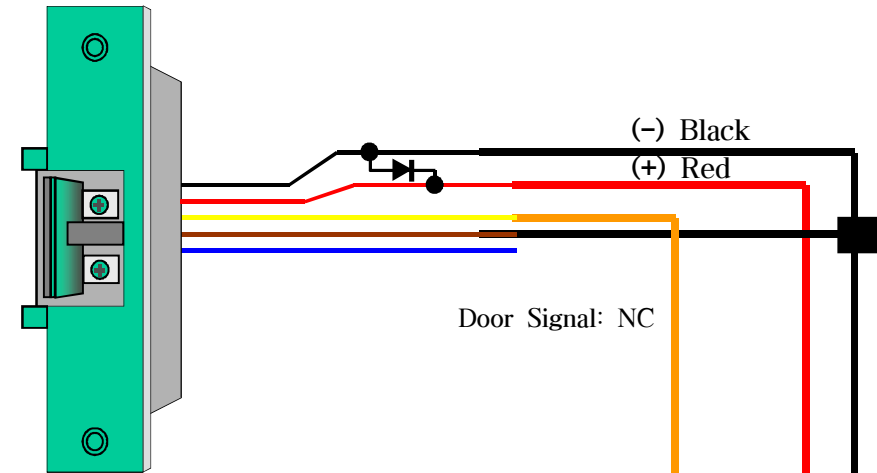
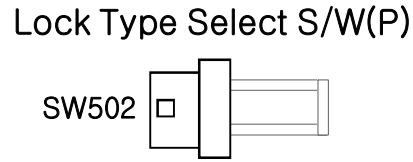
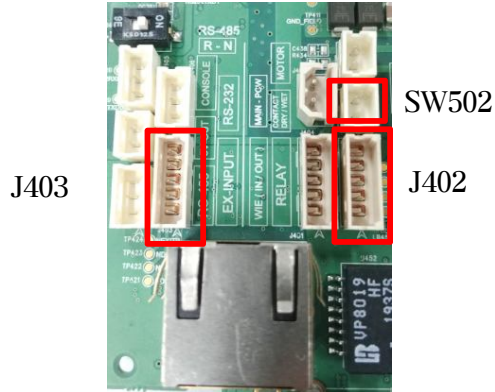
5. Connecting a Dead-Bolt Type Door Lock (Fail Safe)

5.2. Connecting Two Systems/ One Lock



6. Connecting a Strike Type Door Lock (Fail Safe)

6.1. Connecting One System/ One Lock



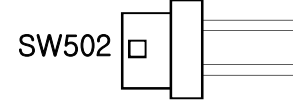
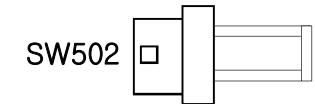
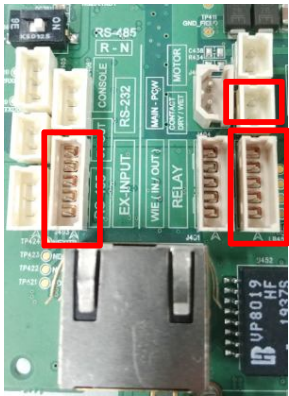
6. Connecting a Strike Type Door Lock (Fail Safe)

6.2. Connecting Two Systems/ One Lock

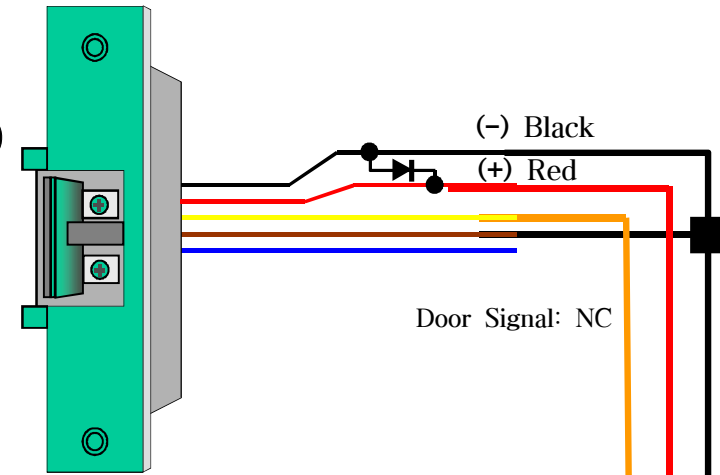
System 1
Lock Type Select S/W(P)

System 2
Lock Type Select S/W(NP)

J403



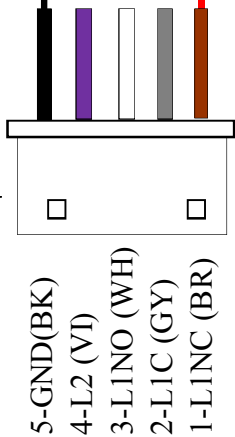
SW502
SW502
J402



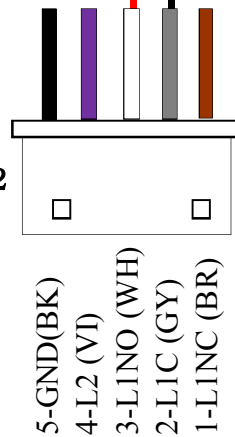
GND

L1_NC

System 1
J402



System 2
J402



- 5-GND(BK)
- 4-EXITB (OR)
- 3-DM2 (BL)
- 2-DM1 (GR)
- 1-DM0 (YE)

J403

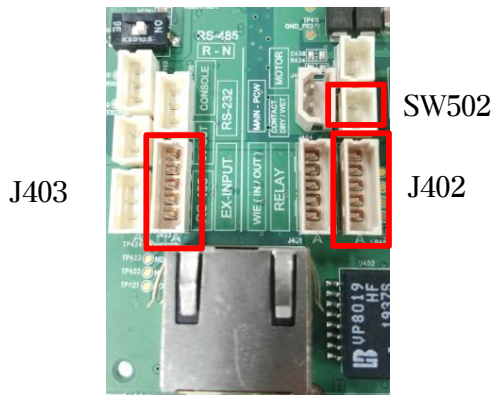


System 1

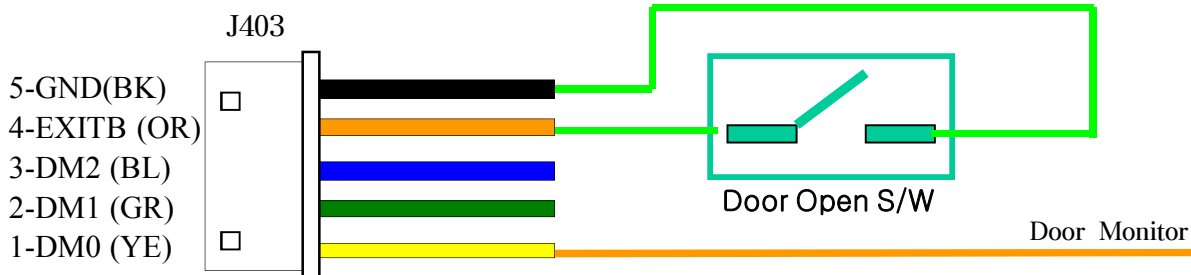
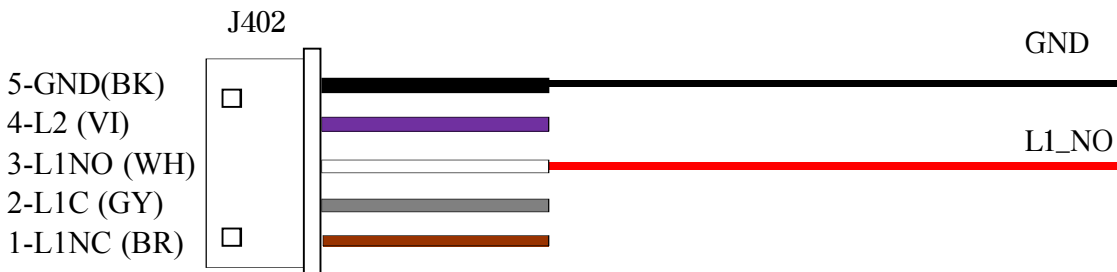
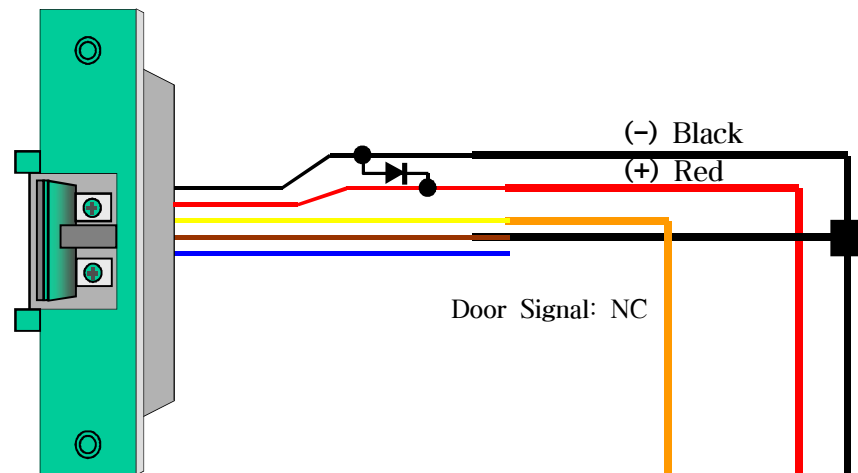
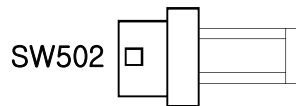
Door Monitor

7. Connecting a Strike Type Door Lock (Fail Secure)

7.1. Connecting One System/ One Lock

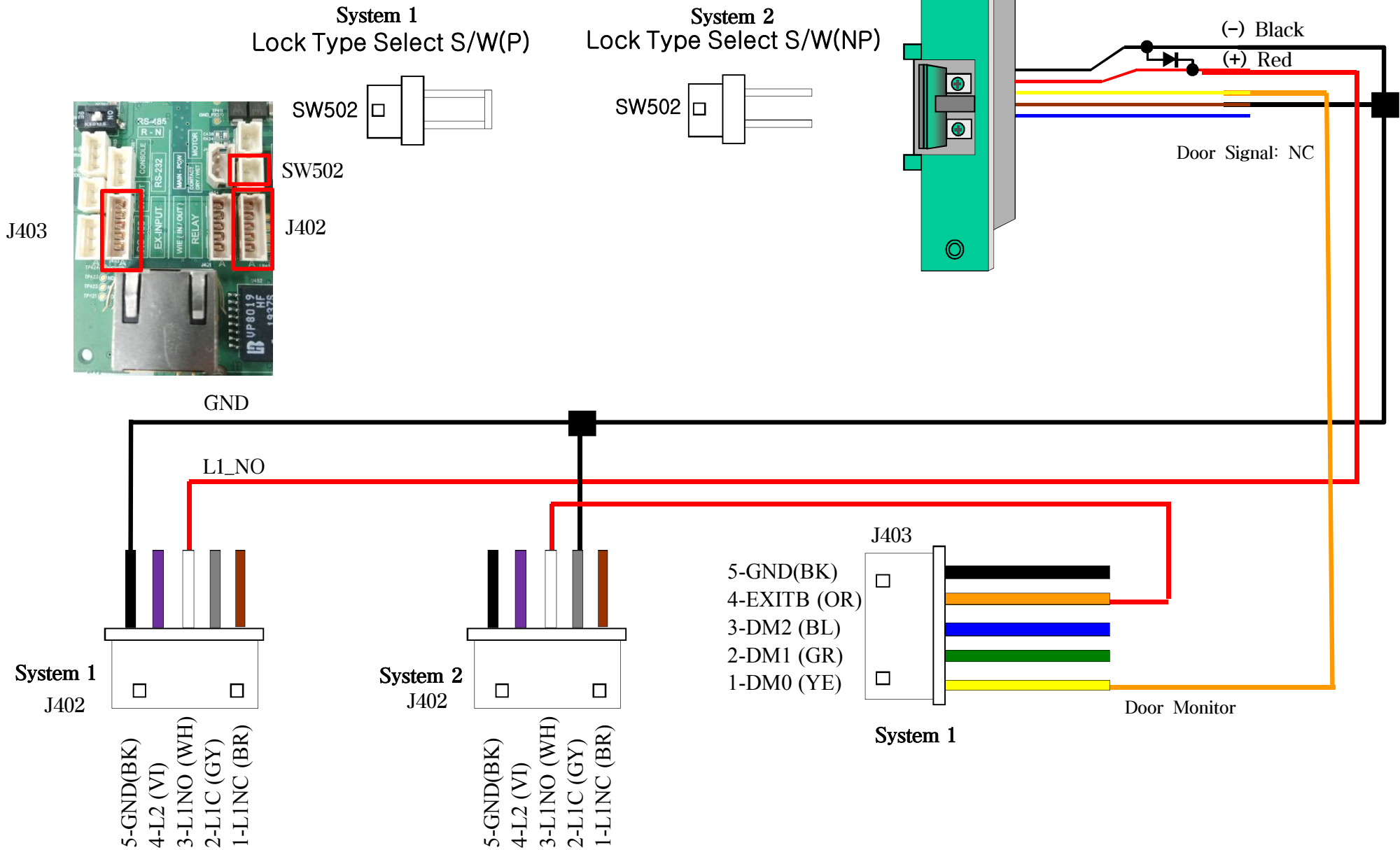


Lock Type Select S/W(P)



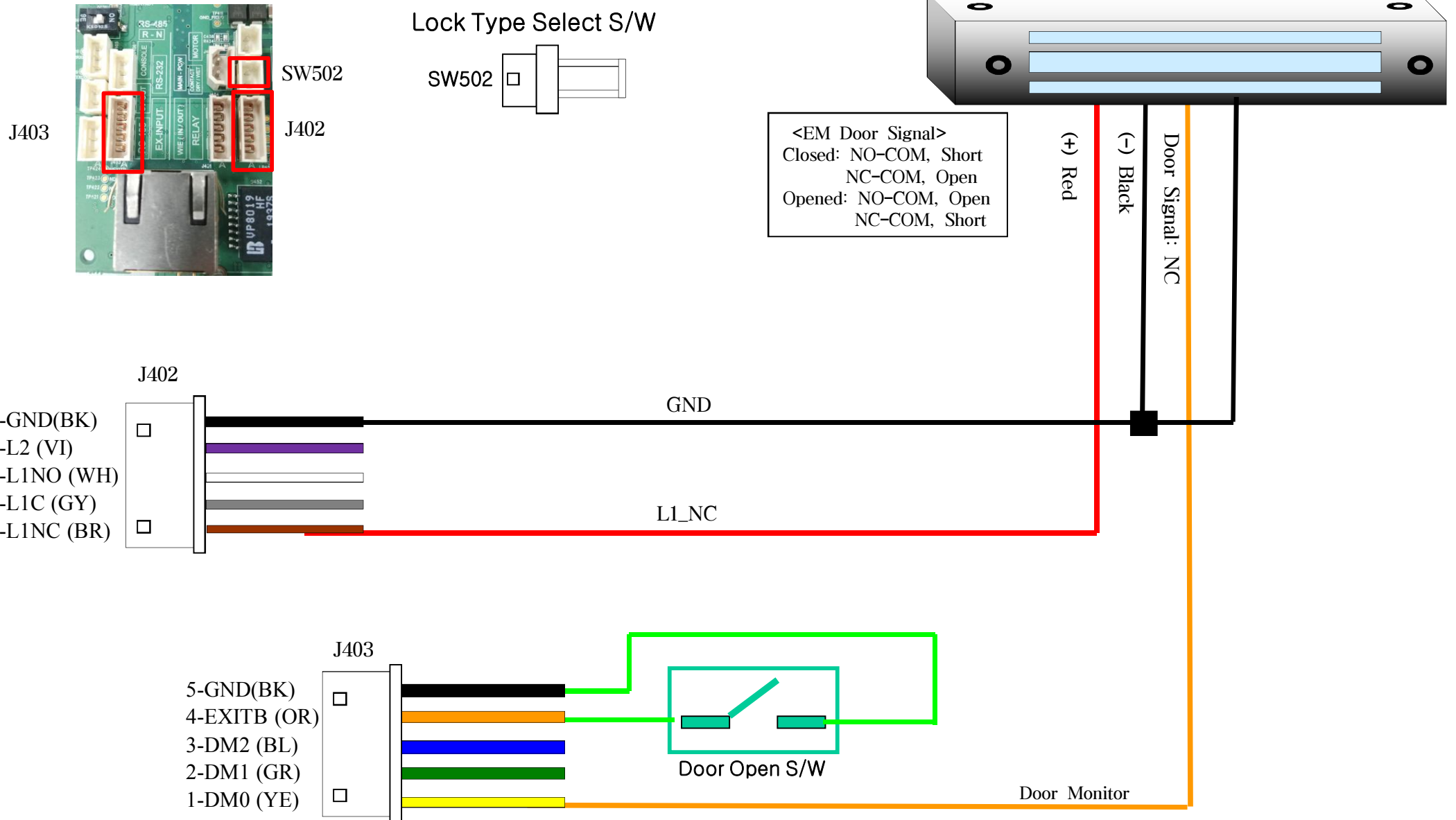
7. Connecting a Strike Type Door Lock (Fail Secure)

7.2. Connecting Two Systems/ One Lock



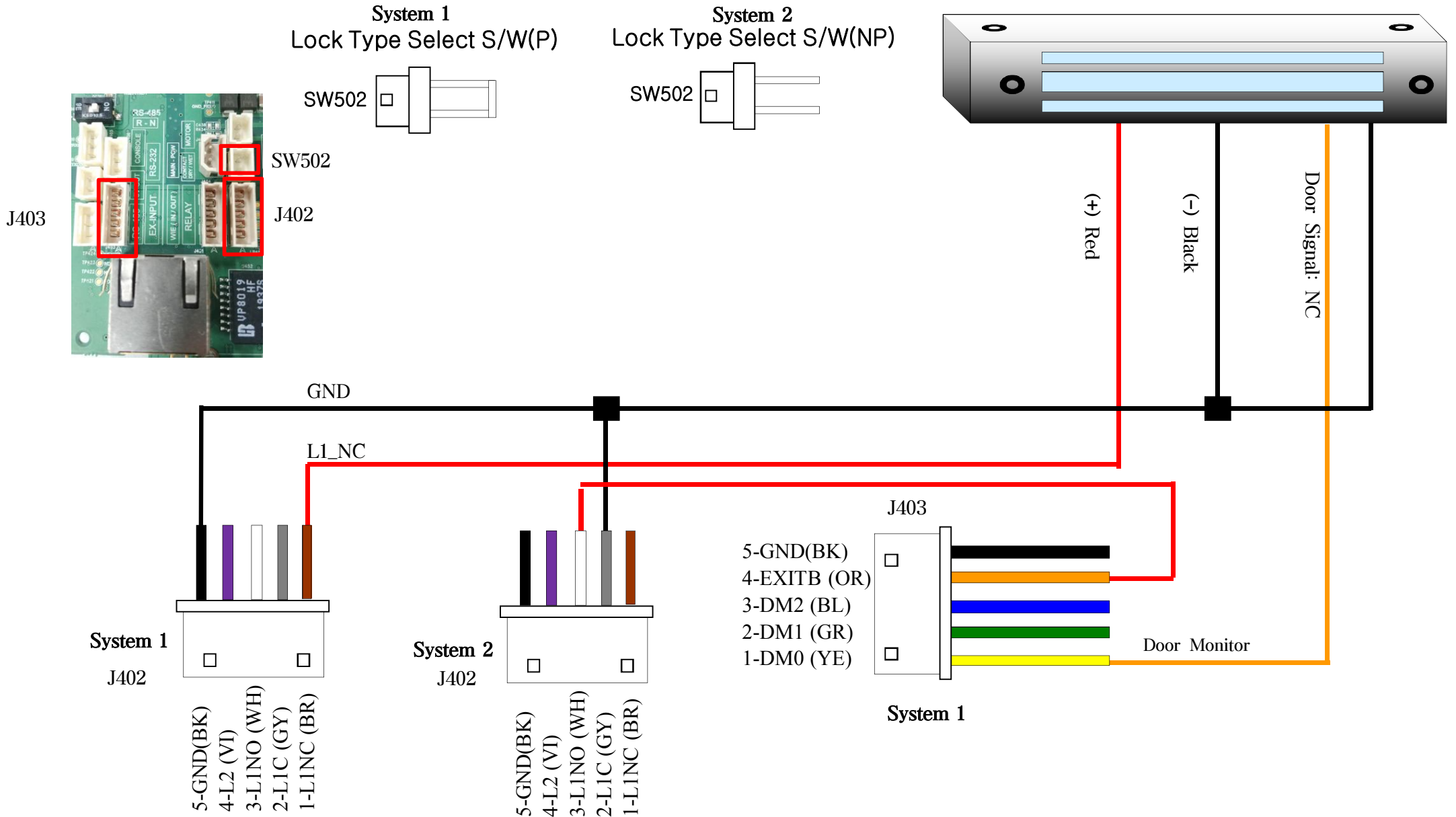
8. Connecting an EM Type Door Lock (Fail Safe)

8.1. Connecting One System/ One Lock



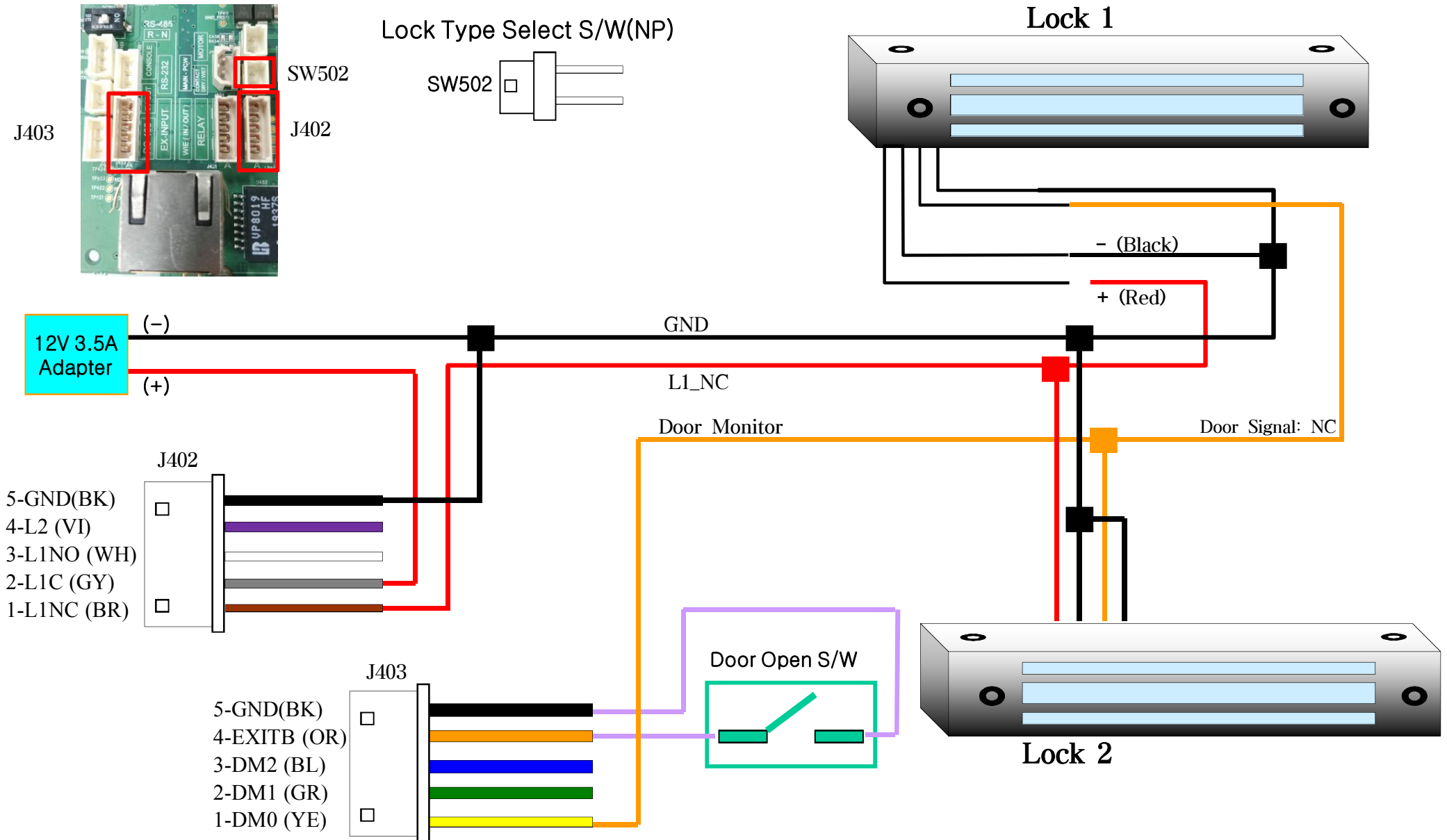
8. Connecting an EM Type Door Lock (Fail Safe)

8.2. Connecting Two Systems/ One Lock



8. Connecting an EM Type Door Lock (Fail Safe)

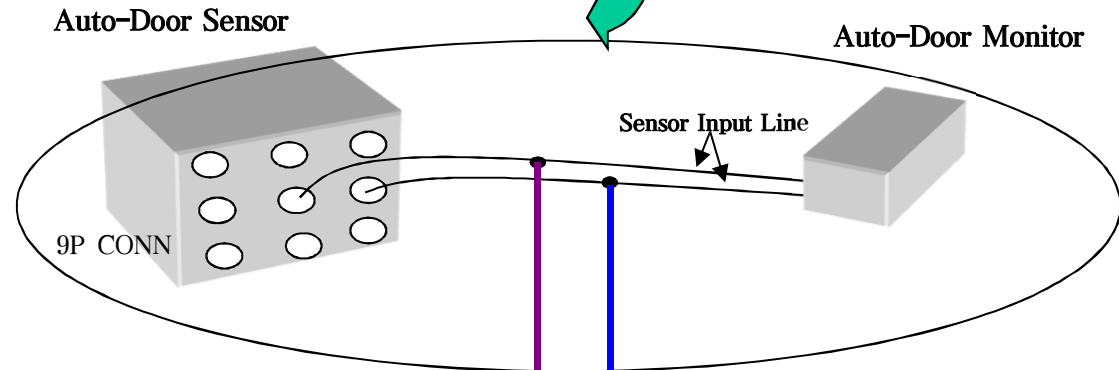
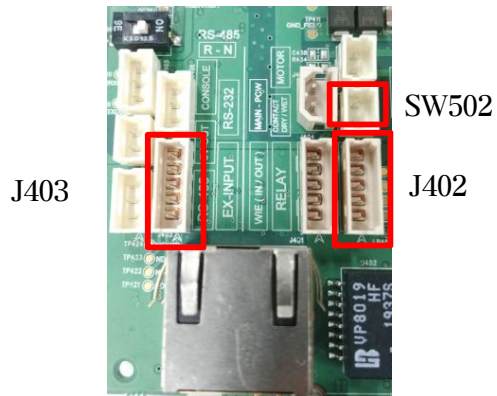
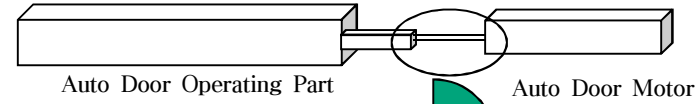
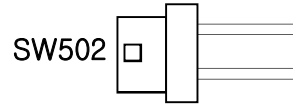
8.3. Connecting One System/ Two Locks “ Use external DC Power adapter”



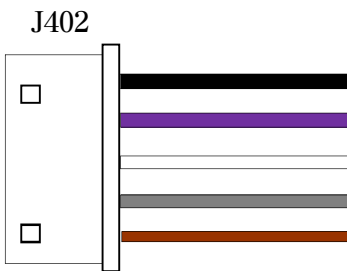
9. Connecting Auto-Door (Contact Control)

9.1. Connecting One System/ One Door

Lock Type Select S/W(NP)



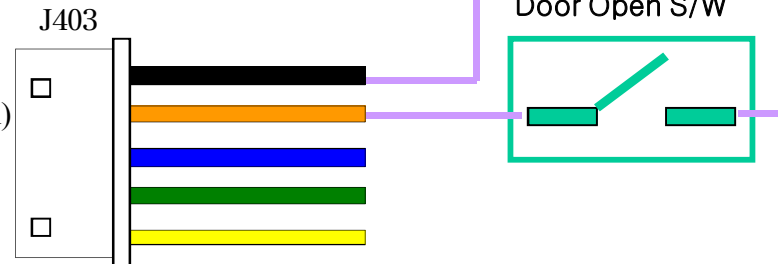
- 5-GND(BK)
- 4-L2 (VI)
- 3-L1NO (WH)
- 2-L1C (GY)
- 1-L1NC (BR)



L1_NO

L1_COM

- 5-GND(BK)
- 4-EXITB (OR)
- 3-DM2 (BL)
- 2-DM1 (GR)
- 1-DM0 (YE)

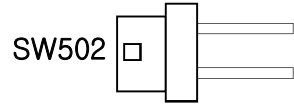


9. Connecting Auto-Door (Contact Control)

9.2. Connecting Two Systems/ One Door

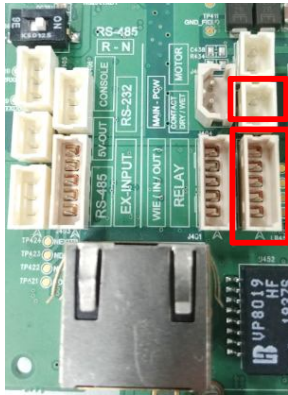
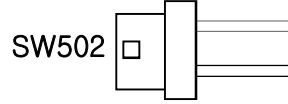
System 1

Lock Type Select S/W(NP)



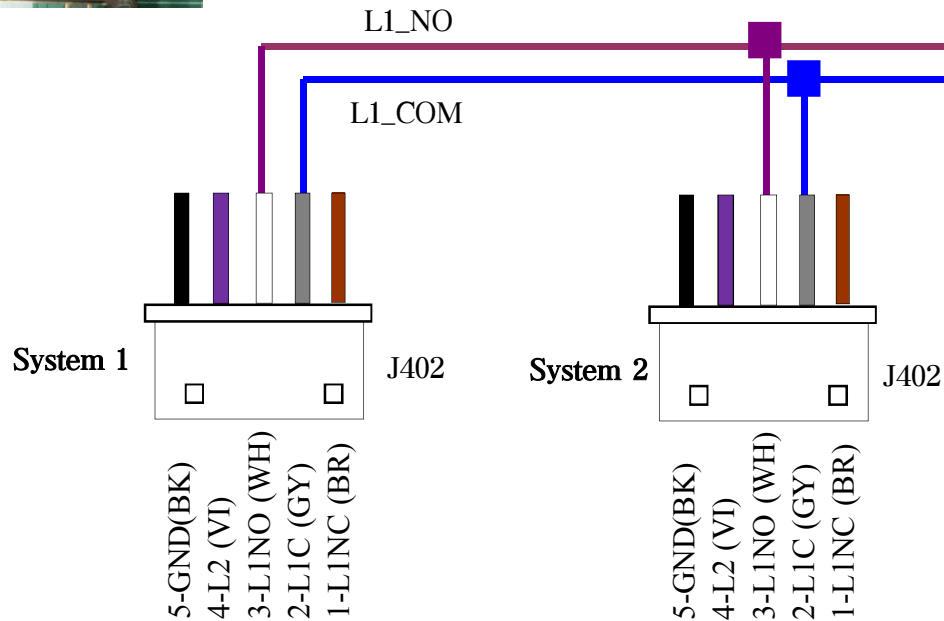
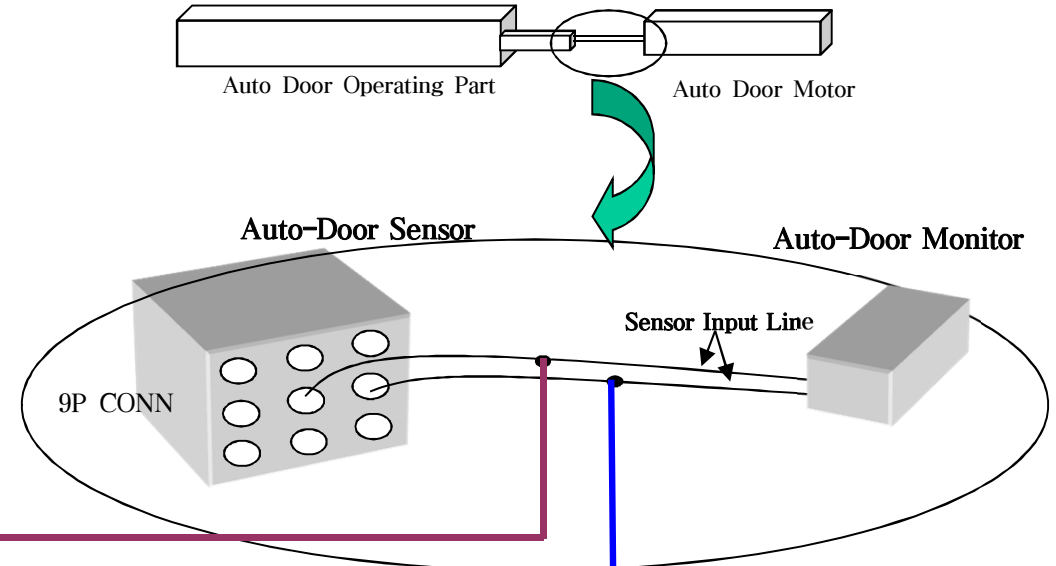
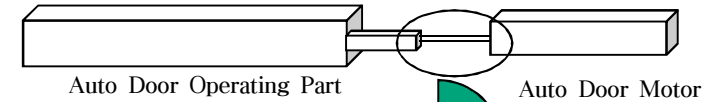
System 2

Lock Type Select S/W(NP)

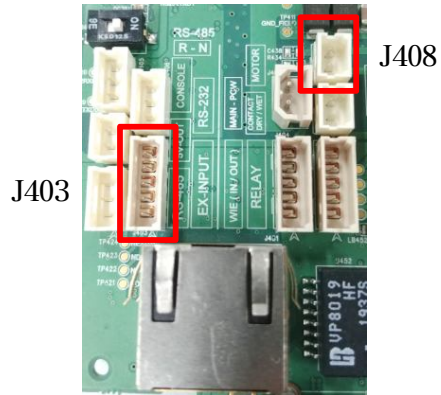


SW502

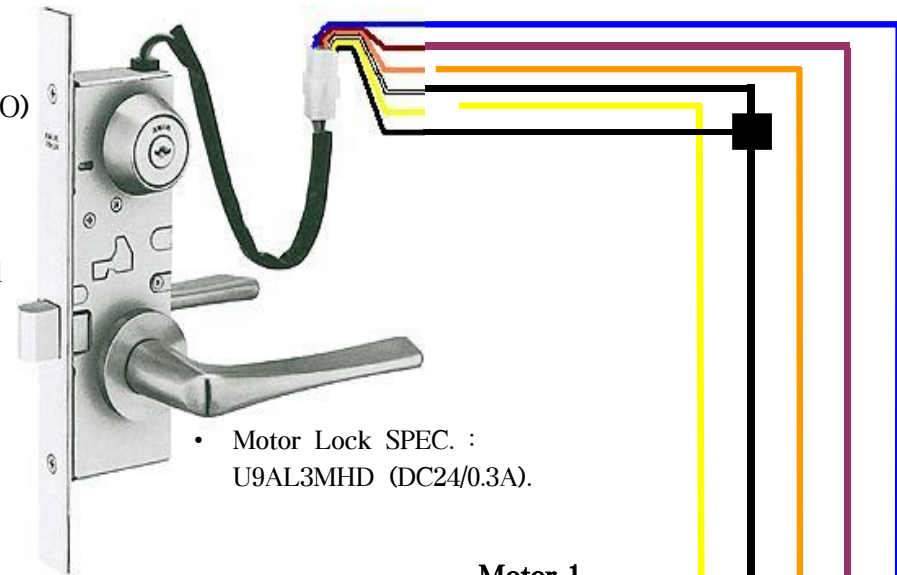
J402



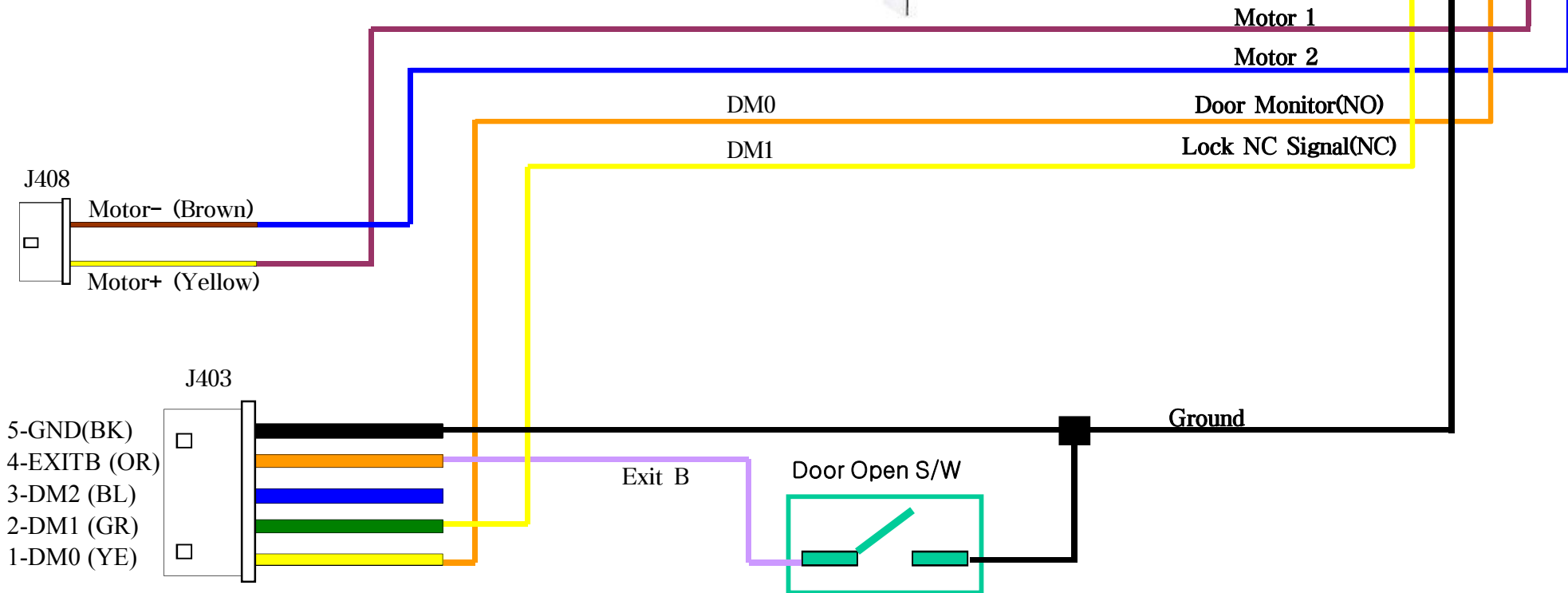
10. Connecting a Motorised Lock



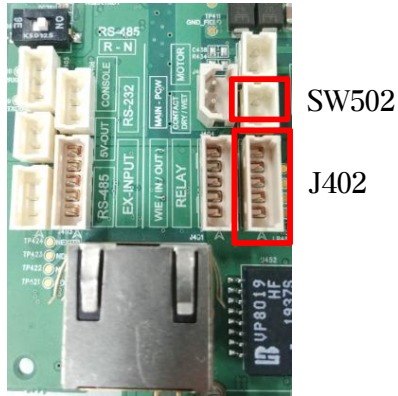
- Blue : Motor 2
- Brown : Motor 1
- Orange : Door Monitor(NO)
- White : Ground
- Yellow : Lock NC Signal
- Black : Ground
- Red : Lock NO Signal



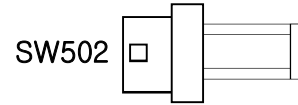
• Motor Lock SPEC. :
U9AL3MHD (DC24/0.3A).



11. Connecting Two Emergency Lamps



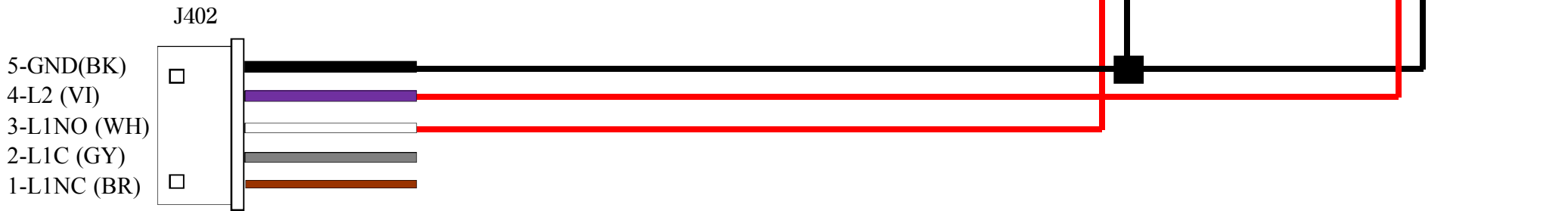
Lock Type Select S/W(P)



Emergency Lamp 1

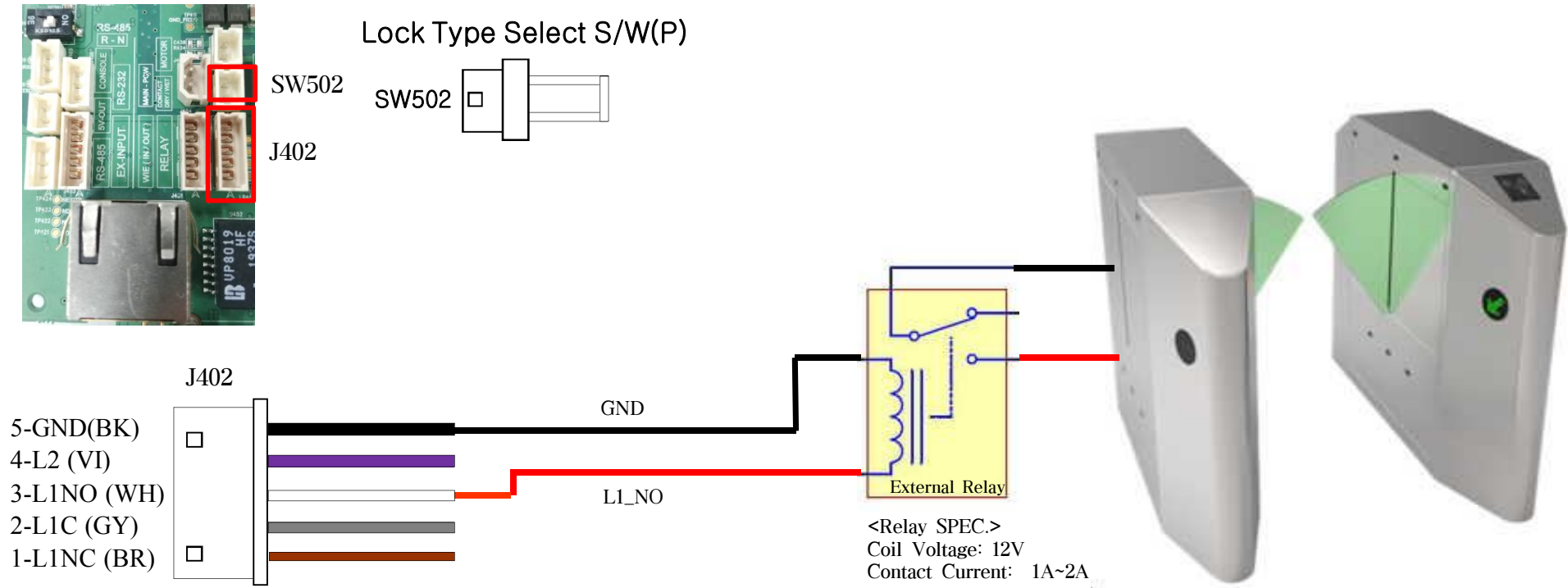


Emergency Lamp 2

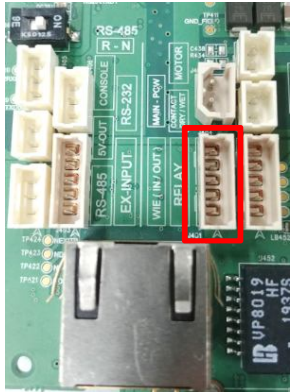


12.1 How to connect an external relay

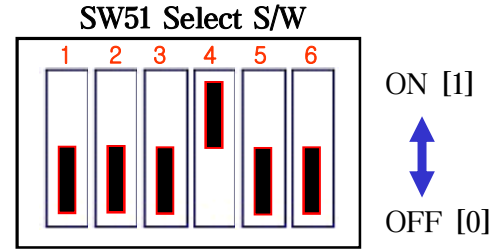
** It is recommended to connect an external relay if a problem occurs after connection with an external equipment such as a speed gate.



12.2 How to connect the VS-R20D RF Dummy Card Reader



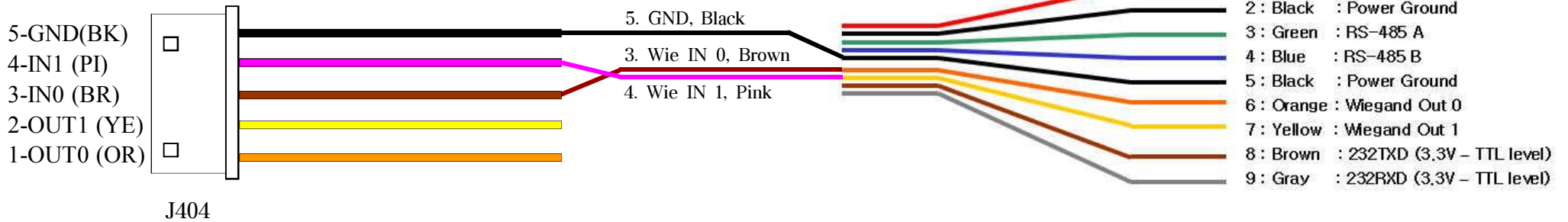
J404



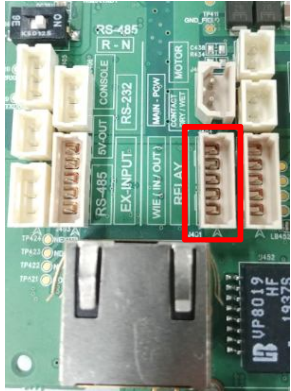
- * 1, 2, 3 OFF: 26Bit
- * 4 ON: Wiegand Mode



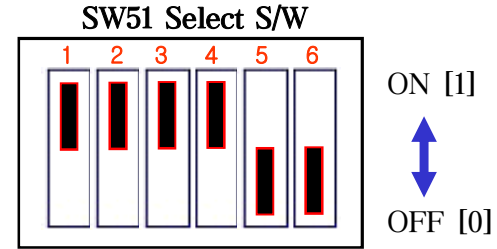
Wiegand Cable (5P)



12.3 How to connect the VS-R20D SC Dummy Card Reader



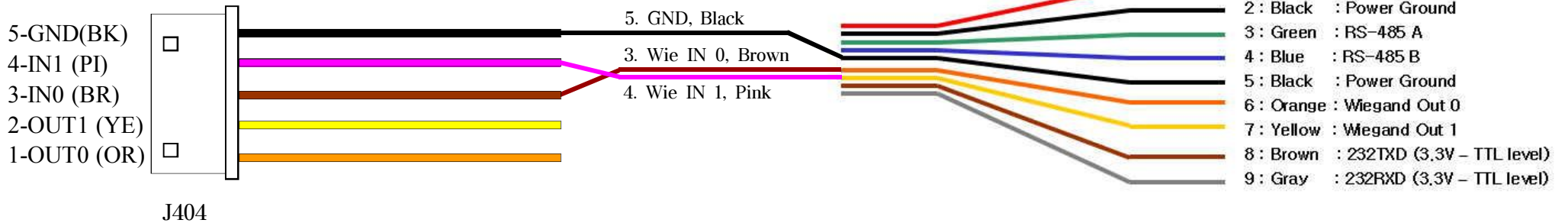
J404



- * 1, 2, 3 ON: 34Bit
- * 4 ON: Wiegand Mode



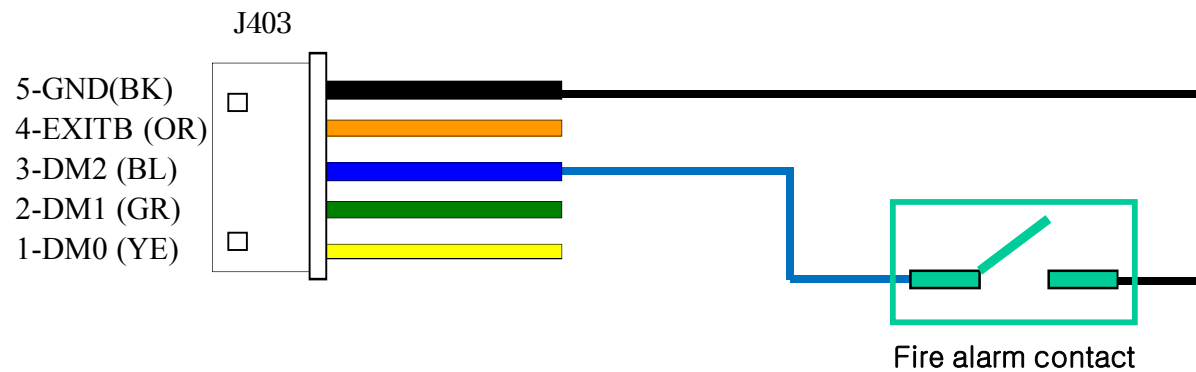
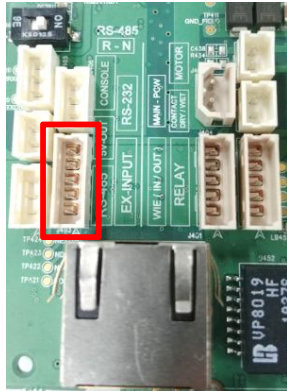
Wiegand Cable (5P)



12. Appendix

12.4 How to connect to a fire alarm

J403



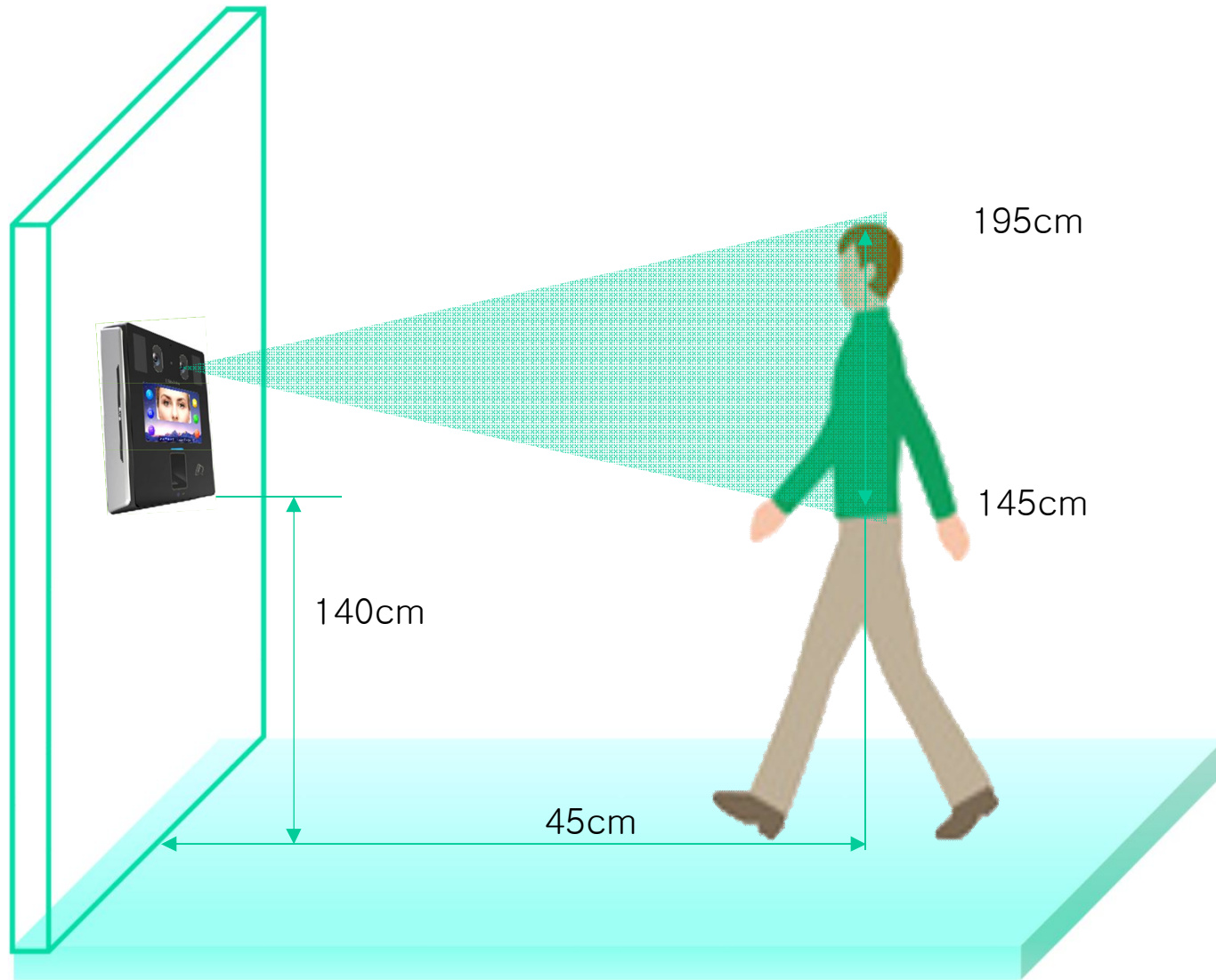
** Recommend installation guide1 (RF & SC Card)



** In order to prevent RF / SC card antenna interference between products, install at least 10cm apart from each other.

** Card recognition distance may be reduced when installed within 10cm.

** Recommend installation guide 2



Distributed by



Trading Address: Unit A8 Caxton Point Business Centre, Caxton Point, Caxton Way, Stevenage, SG1 2XU, UK
Registered Office: c/o Becktech Limited, Terminus Road, Chichester, Sussex, PO19 8DW, UK
Telephone: +44 (0)1707 330 541 | Email: sales@genieproducts.co.uk