

2MP Stainless Steel IP IR Bullet Camera with 2.8–12mm Auto Focus Lens

SSIP2BVAF



Quick Start Guide

Please read these instructions carefully before operating the unit and keep for further reference. All the examples and pictures used here are for reference only. The contents of this manual are subject to change without notice.

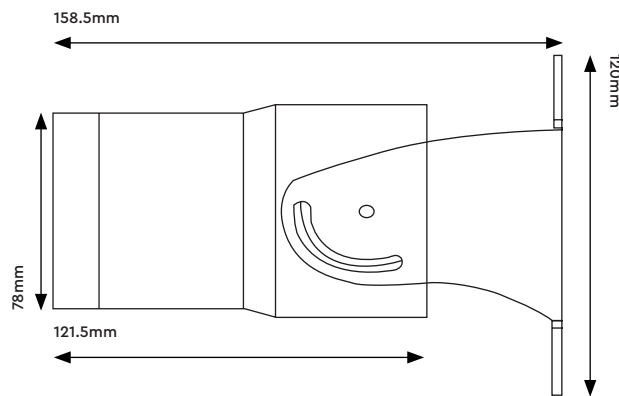
Features

- 1/2.8" Sony 2MP Starvis image sensor
- 1080p full HD resolution
- 2.8–12mm megapixel auto focus motorised lens
- Triple Codec (H.264 / MPEG4 / MJPEG)
- True day & night with ICR mechanism
- D-WDR (Digital Wide Dynamic Range)
- 3DNR (Digital Noise Reduction)
- DC12V / PoE operation
- 316 grade stainless steel housing
- IP67 ingress protection
- Wall mount bracket option
- NDAA compliant

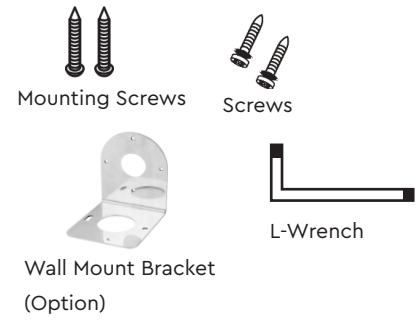
Specifications

Camera	Image Sensor	Sony 2MP Starvis
	Size	1/2.8"
	Electronic Shutter	Auto (1/15–1/15000), Suppress rolling, Manual
	Scanning System	Progressive scan
	Lens	2.8–12mm auto focus motorised lens
	Total Pixels	2000 (H) x 1121 (V), 2.24 Mega Pixels
	Effective Pixels	1984 (H) x 1105 (V), 2.19 Mega Pixels
	Privacy Area	On / Off (6 programmable zone)
	Motion Detection	48 Zone, Sensitivity 1~5 Step, On / Off
	Day & Night	Auto / Day (Colour) / Night (B&W), ICR control
	LPR	Auto 1/15 – 1/1900, On / Off
	Wide Dynamic Range	DWDR (1–5 Step) On / Off
	3DNR	Digital Noise Reduction 1–63 Step
	External Video	VBS 1.0Vp-p
Image	Colour Adjust	Bright / Contrast / Saturation / Sharp / Hue
	White Balance	Auto / Indoor / Outdoor / Fluorescent
	OSD Display	Text, Data, Time, Event, On / Off
	Image Mirror	Normal / Mirror (H) / Flip (V) / Both (HV)
Others	Network Interface Protocol	Onvif Profile S compatible
	Ingress Protection	IP67
	Power Supply	DC12V +/- 10%
	Working Environment	Operating : -10°C +50°C Preservation : -10°C +60°C Humidity : 0%-90%
	Dimensions	78 × 158.5 × 120 mm
	Weight	1.52 Kg (Approx.)

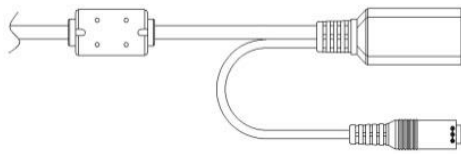
Dimensions



Accessories

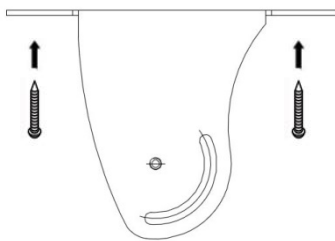


Cable



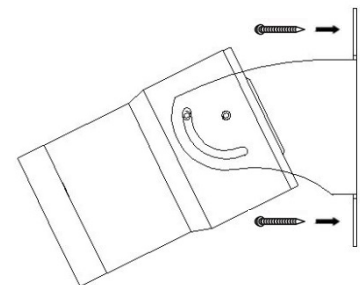
Installation

Step 1



Fix bracket in desired place.

Step 2



Adjust the angle of view with the 3-axis bracket.

Sales +44(0)1707 330541

Enquiries sales@genieproducts.co.uk

Website www.genieproducts.co.uk

genie