

IP65 Mini 13.56MHz Proximity Reader

M-PROX-2



User Manual

Please read these instructions carefully before operating the unit and keep for further reference.

Contents

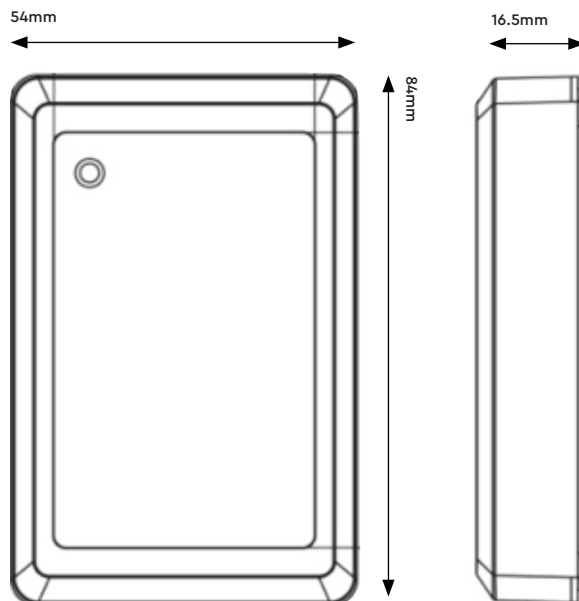
1.1 Product Features.....	3
1.2 Product Dimensions	3
1.3 Specification.....	4
1.4 Mounting	4
1.5 Recommendation.....	5
1.6 Wiring	5
1.7 Power Sequences.....	5
1.8 Troubleshooting.....	6

The Genie M-PROX-2 is an IP65 RFID style access control reader designed to work with the 13.56MHz frequency cards or fob technology. The reader emits a back lit blue light when powered, turning green / red when a card / fob is presented. The reader also has tamper and reverse power polarity protection built in. Output technology is Wiegand 32 bit meaning it will be compatible with many access control systems within the market and makes it a great choice for any installer looking for an aesthetically pleasing generic access control 13.56MHz reader.

1.1 Product Features

- Reads CSN and full UID of 13.56MHz card
- Static charge protection on input and output signals
- IP65 ingress protection
- Reverse polarity protection
- Tamper protection
- Customisable back lit plate design available

1.2 Product Dimensions

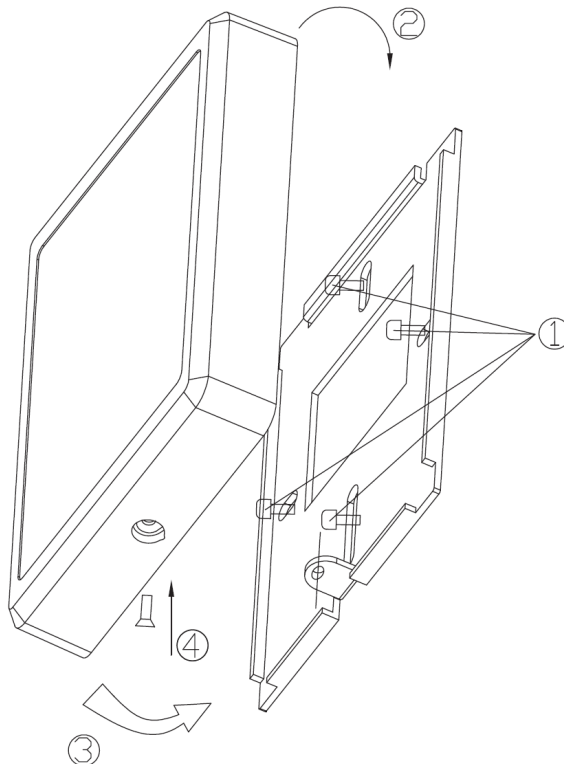


1.3 Specification

Reader Output Format	CSN/UID 32 bit
Reader Connection Type	40cm fly lead
Buzzer Control	Reader and controller control
LED / Back Lit Control	Defines different LED colour response based on LED input
Typical Read Range	3.5cm
Frequency	13.56MHz
Reader Standard Output	Wiegand 32 bit (Default)
Wiring Distance	100m (22AWG with shielded cable)
Operating Voltage	DC10~15V
Operating Current	150mA (Max.)
Operating Temperature	-30°C ~ 70°C
Operating Humidity	10% - 90%
Case Material	PC & ABS Black
Dimensions	84 × 54 × 16.5 mm

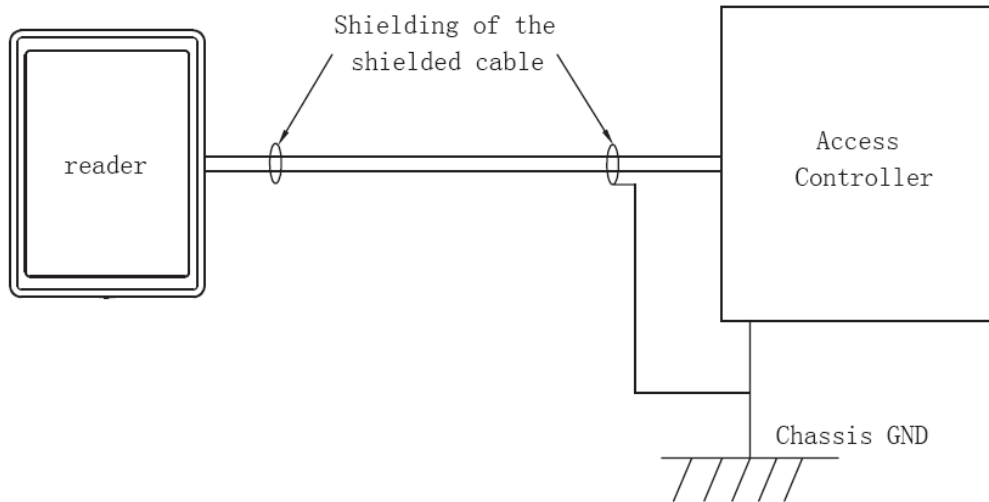
1.4 Mounting

1. Install the metal plate on the wall with two or four screws, which depends on different kinds of gang box being installed (1).
2. The cover shall clip on the upper edge (2) the push in the bottom part as show in diagram (3).
3. Tighten the secure non-dropout screw, which located underneath of the reader to fix the reader and the back plate (4), installation is completed.



1.5 Recommendation

1. Linear DC Power Supply.
2. 22AWG shielded cable, it's required to do "one-point" ground. (As shown in the diagram)



1.6 Wiring

Colour	Label	Description
Red	+12V dc	Power Supply to the reader
Black	GND	Signal GND
Green	Data0	Wiegand Output data, D0
White	Data1	Wiegand Output data, D1
Yellow	RED LED	RED LED control, active low.
Blue	Green LED	Green LED control, active low
Brown	Buzzer	Buzzer input, active low
Orange	Tamper	Tamper output (open collector, Active low, max 100mA)
Purple	Doorbell	Useless

1.7 Power Sequences

1. When reader is powered up, the Red back will flicker for 5 seconds. The reader will beep once and the reader is in Ready mode.
2. Present the card. The Blue LED will flicker once, buzzer will beep once.
3. When card is present and read by the reader, blue back lit will flash once; and buzzer will beep once as well. The card data will then transmit to the controller. After, weather the back lit of the reader will remain ON or Flash or change to Green or Red colour, this shall depend on the Green and Red LED inputs.
4. For number pad reader, when a number is pressed and successfully detected, the back lit under the number will flash 1 time and the buzzer will beep once. The number being pressed will burst out by default (4 bits burst).

1.8 Troubleshooting

No response when power up

Discount the power and confirm that the power supply cable is correctly connected (See "Wiring" above).

Check the input voltage is sufficient (See "Specifications" above).

Auto Restart

Check the input voltage is sufficient (See "Specifications" above).

Cannot read card number correctly

Check the format setting on the controller if it is the same as the card format. Use approved card (known format and Facility Code) to test.

Check if the shield cable is correctly connected to Classis Ground at ONE point only.

Reader beeps but No card data info

Check if data 0 & data 1 cable is correctly connected (See "Wiring" above).

Check the input voltage at the card reader end is correct (See "Specifications" above).

Buzzer error

Check if the buzzer cable is correctly connected (See "Wiring" above).

Back lit error

Check the Led cable is correctly connected (See "Wiring" above).

Use Default Configuration Card to set it back to normal.

Keypad no response

Power off reader for 5 seconds and power on again

Sales +44(0)1707 330541

Enquiries sales@genieproducts.co.uk

Website www.genieproducts.co.uk

genie