

GHDCAM2MCP

# ENCAPSULATED CAMERA

2.1MP AHD Encapsulated Camera with 4.3mm Conical Pinhole Lens



## Key Features

- 1/3" Sony 2.1MP Progressive Scan Starvis CMOS
- 4-in-1 output (AHD, TVI, CVI, CVBS)
- 4.3mm conical pinhole lens
- D-WDR (Wide Dynamic Range)
- Digital Noise Reduction (2D and 3D DNR)
- Electronic Day & Night
- UTC function supports OSD Control
- 110mA (Max), DC12V
- Defog
- NDAA compliant

The Genie GHDCAM2MCP is a 2.1MP AHD encapsulated camera with a 4.3mm conical pinhole lens and built-in OSD with a 4-in-1 output.



## Specification

### Camera

<b>Image Sensor</b>	1/2.8" Progressive Scan Sony Starvis CMOS
<b>Resolution</b>	TVI, AVI, CVI : 1080p @ 30 (25)fps / 720p @ 60fps (50fps) / 720p @ 30fps (25fps) TV out: CVBS (720H) NTSC/PAL
<b>Electronic Shutter</b>	Auto / Flicker / Manual / (1/30(25)~1/30,000)
<b>Digital Slow Shutter (DSS)</b>	OFF~ x32
<b>Minimum Illumination</b>	0.2 Lux (F2.0, AGC33dB, DSS:x2)
<b>Lens</b>	3.6mm, F 2.0 fixed lens Angle of View: 112.3 (D) x 93.7 (H) x 49.3° (V)
<b>Effective Pixels</b>	1945 (H) x 1097 (V)

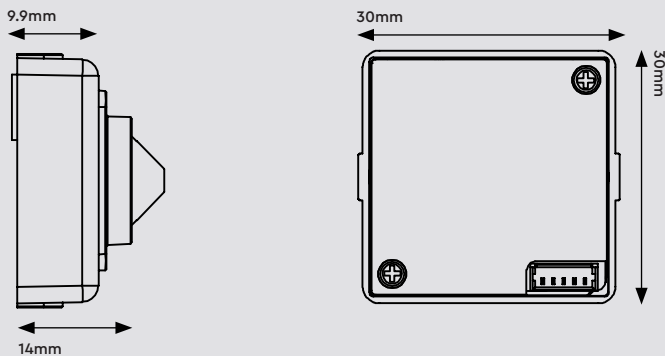
### Others

<b>Power Supply</b>	DC12V (±10%)
<b>Power Consumption</b>	Max 110mA @ DC12V
<b>Temperature</b>	Operating: -10°C ~ 50°C Storage: -20°C ~ +60°C
<b>Dimensions</b>	30 × 30 mm
<b>Weight</b>	27.5g (Approx.)

### Functions

<b>White Balance</b>	AUTO/AUTO EXT/PUSH LOCK/MANUAL
<b>Level</b>	135.6dB
<b>D-WDR</b>	OFF/LOW/MIDDLE/HIGH
<b>WDR/BLC</b>	OFF/BLC/HLC/WDR15P/WDR30P (4 Zones selectable)
<b>Auto Gain Control (AGC)</b>	OFF~45dB
<b>Day&amp;Night</b>	AUTO/COLOUR/B&W (Electronic D&N)
<b>Noise Deduction</b>	3D-DNR (OFF/LOW/MIDDLE/HIGH)
<b>Motion Detection</b>	OFF/ON (4 Zones)
<b>Privacy Mask</b>	16 Zones
<b>Image Rotation</b>	OFF/H-FLIP/V-FLIP/HV-FLIP
<b>Defog</b>	OFF/ON (AUTO/MANUAL)
<b>Sharpness</b>	0~10
<b>OSD Control</b>	Cable JOYSTIC, UTC
<b>Language</b>	7 languages
<b>Video Output</b>	AHD, TVI, CVI, CVBS

## Dimensions



## Accessories



### PSU1SM

DC12V 1A Regulated Switch  
Mode Power Supply