

GHDCAM2M

ENCAPSULATED CAMERA

2.1MP AHD Encapsulated Camera with 3.6mm Lens



Key Features

- 1/3" Sony 2.1MP Progressive Scan Starvis CMOS
- 4-in-1 output (AHD, TVI, CVI, CVBS)
- Fixed 3.6mm lens
- D-WDR (Wide Dynamic Range)
- Digital Noise Reduction (2D and 3D DNR)
- Electronic Day & Night
- UTC function supports OSD Control
- 110mA (Max), DC12V
- Defog
- NDAA compliant

The Genie GHDCAM2M is a 2.1MP AHD encapsulated camera with a 3.6mm fixed lens and built-in OSD with a 4-in-1 output.



Specification

Camera

Image Sensor	1/2.8" Progressive Scan Sony Starvis CMOS
Resolution	TVI, AVI, CVI : 1080p @ 30 (25)fps / 720p @ 60fps (50fps) / 720p @ 30fps (25fps) TV out: CVBS (720H) NTSC/PAL
Electronic Shutter	Auto / Flicker / Manual / (1/30(25)~1/30,000)
Digital Slow Shutter (DSS)	OFF~ x32
Minimum Illumination	0.2 Lux (F2.0, AGC33dB, DSS:x2)
Lens	3.6mm, F 2.0 fixed lens Angle of View: 112.3 (D) x 93.7 (H) x 49.3° (V)
Effective Pixels	1945 (H) x 1097 (V)

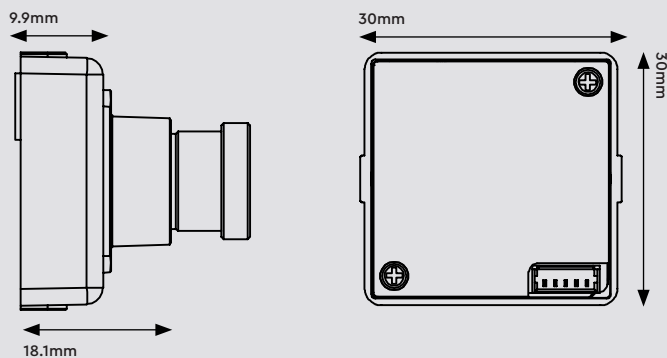
Others

Power Supply	DC12V (±10%)
Power Consumption	Max 110mA @ DC12V
Temperature	Operating: -10°C ~ 50°C Storage: -20°C ~ +60°C
Dimensions	30 × 30 mm
Weight	27.5g (Approx.)

Functions

White Balance	AUTO/AUTO EXT/PUSH LOCK/MANUAL
Level	135.6dB
D-WDR	OFF/LOW/MIDDLE/HIGH
WDR/BLC	OFF/BLC/HLC/WDR15P/WDR30P (4 Zones selectable)
Auto Gain Control (AGC)	OFF~45dB
Day&Night	AUTO/COLOUR/B&W (Electronic D&N)
Noise Deduction	3D-DNR (OFF/LOW/MIDDLE/HIGH)
Motion Detection	OFF/ON (4 Zones)
Privacy Mask	16 Zones
Image Rotation	OFF/H-FLIP/V-FLIP/HV-FLIP
Defog	OFF/ON (AUTO/MANUAL)
Sharpness	0~10
OSD Control	Cable JOYSTIC, UTC
Language	7 languages
Video Output	AHD, TVI, CVI, CVBS

Dimensions



Accessories



PSU1SM

DC12V 1A Regulated Switch
Mode Power Supply