

GEBV | GEBVG

# EYEBALL CAMERA

2MP 4-in-1 IR Eyeball Cameras with 2.8–12mm Varifocal Lens



## Key Features

- 1/2.7" 2MP CMOS
- AGC, AWB, AES
- 2D-DNR, 3D-DNR, D-WDR
- Multi-language OSD control from recorder
- Multi-technology (AHD, TVI, CVI and CVBS) output
- DC12V
- NDAA compliant

The Genie **GEBV** is a 2MP 1080p 4-in-1 (AHD, TVI, CVI and CVBS) eyeball camera equipped with a 2.8–12mm varifocal lens. The camera can transmit up to 300m in distance when using the AHD mode and is available in a White or Grey finish.



## Specification

### Camera

<b>Image Sensor</b>	1/2.7" 2MP CMOS Sensor
<b>Image Size</b>	1920 × 1080
<b>Image System</b>	PAL / NTSC
<b>Resolution</b>	2MP
<b>Electronic Shutter</b>	Auto / Manual
<b>Minimum Illumination</b>	Colour: 0.1 Lux @ (F1.2 AGC On) B&W: 0.01 Lux @ (F1.2 AGC On)
<b>Lens</b>	2.8-12 mm
<b>Frame Rate</b>	30fps @ 1080p
<b>S / N Ratio</b>	≥41dB (AGC Off)
<b>Video Output</b>	AHD / TVI / CVI / CVBS
<b>Video Output Interface</b>	BNC x 1

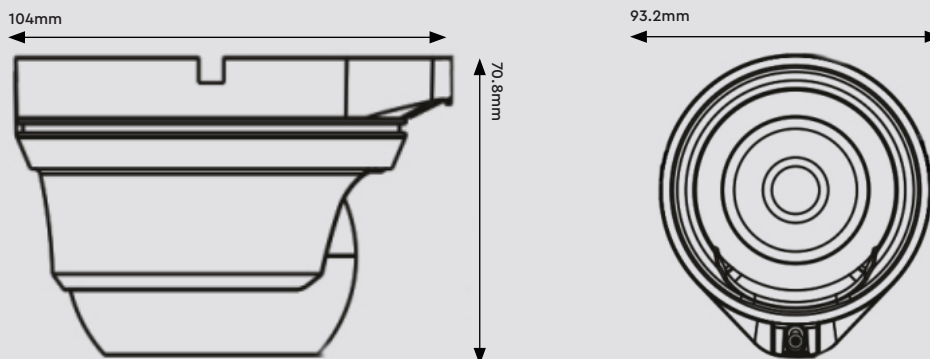
### Functions

<b>IR Distance</b>	Up to 40m
<b>IR LED</b>	3 Pcs IR Array
<b>Day &amp; Night</b>	ICR
<b>AGC</b>	Auto
<b>White Balance</b>	Auto / Manual

### Others

<b>Ingress Protection</b>	IP66
<b>Power Supply</b>	DC12V (± 10%)
<b>Power Consumption</b>	IR On : <4W
<b>Working Environment</b>	-20°C ~ 50°C, Humidity 90 % or less (Non-Condensing)
<b>Dimensions</b>	70.8 × 104 mm
<b>Weight</b>	554g

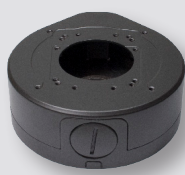
### Dimensions



### Accessories



**GEBVJB**  
Junction Box for GEBV  
Camera – White



**GEBVJBG**  
Junction Box for GEBVG  
Camera – Grey



**PSU1SM**  
DC12V 1A Regulated Switch  
Mode Power Supply