

GEB | GEBG

# EYEBALL CAMERA

2MP 4-in-1 IR Eyeball Camera with 2.8mm Lens



## Key Features

- 1/2.7" 2MP CMOS
- AGC, AWB, AES
- 2D-DNR, 3D-DNR, D-WDR
- Multi-language OSD control from recorder
- Multi-technology (AHD, TVI, CVI and CVBS) output
- DC12V
- NDAA compliant

The Genie **GEB** is a high definition discreet eyeball design camera with the latest 4-in-1 AHD, TVI, CVI and CVBS technologies (fully selectable). The camera utilises a 2.8mm fixed lens and with a 2MP 1080p resolution, providing a superb quality image suitable for most general applications both indoors and outdoors. The camera OSD menu enables many options to be chosen including different languages, with the camera housing being available in a white or grey finish.



## Specification

### Camera

<b>Image Sensor</b>	1/2.7" 2MP CMOS
<b>Image Size</b>	1958 × 1105
<b>Image System</b>	PAL / NTSC
<b>Resolution</b>	2MP
<b>Electronic Shutter</b>	Auto
<b>Synchronisation</b>	Internal synchronisation
<b>Minimum Illumination</b>	0 Lux (IR On)
<b>Lens</b>	2.8 mm
<b>S / N Ratio</b>	≥41dB (AGC Off)
<b>Video Output</b>	AHD, TVI, CVI (1080p @ 25fps, 1080p @ 30fps) / CVBS (1280 × 576, 1280 × 480)

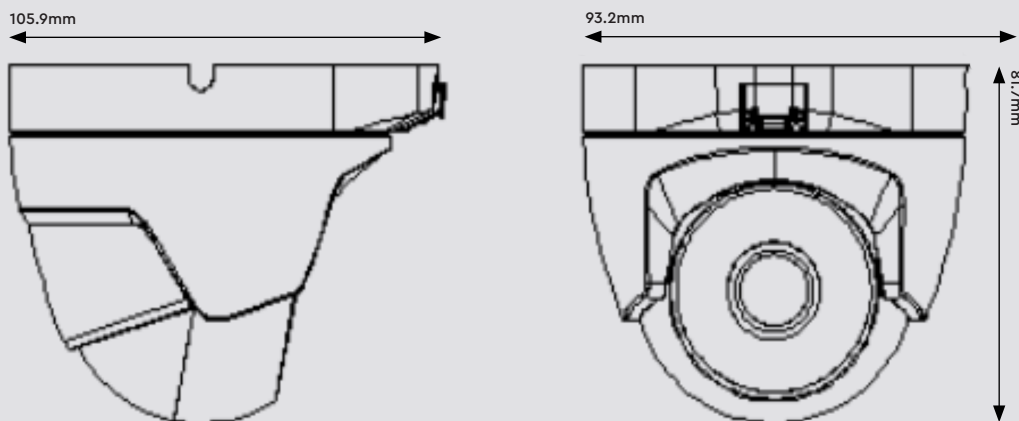
### Others

<b>Ingress Protection</b>	IP66
<b>Power Supply</b>	DC12V (± 10%)
<b>Power Consumption</b>	<4W
<b>Working Environment</b>	Storage: -20°C ~ 60°C, Working: -10°C ~ 60°C, Humidity: 90% or less (Non-condensing)
<b>Dimensions</b>	93.2 × 81.7 mm
<b>Weight</b>	320g

### Functions

<b>IR Distance</b>	Up to 30m
<b>IR LED</b>	2 Pcs
<b>Functional Control</b>	OSD (Multi-language)
<b>Day &amp; Night</b>	True day / night, Smart, Colour, B&W
<b>DNR</b>	2D-DNR, 3D-DNR
<b>AGC</b>	Auto
<b>White Balance</b>	Auto / Manual

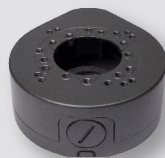
### Dimensions



### Accessories



**GEBJB**  
Junction Box for GEB  
Camera – White



**GEBJBG**  
Junction Box for GEB  
Camera – Grey



**PSU1SM**  
DC12V 1A Regulated Switch  
Mode Power Supply