

GAHMC2IR

MICRO CANNON CAMERA

2MP AHD Mini Cannon Camera with 3.6mm Lens



Key Features

- 1/2.8" Sony 2MP Exmor CMOS sensor
- True day/night with ICR and mechanical cut filter
- 0 Lux minimum illumination
- 1080p full HD resolution
- D-WDR
- High speed shutter
- Auto tracing white balance (ATW)
- Auto gain control (AGC)
- UTC built-in
- Backlight compensation (BLC)
- 3D DNR
- IP66
- DC12V

The Genie GAHMC2IR is a 2MP AHD true day/night micro cannon IR dome camera with a 3.6mm fixed lens.



genie

Specification

Functions

Alarm Output	0
Communication	CVBS: Coaxial I/F Controller (UTC) AHD: DVR UTC Control
Day & Night	Auto (AGC) / Day / Night / Ext
D-WDR	Off / On / Auto
Sens-Up	Off / Auto (x2 ~ x30)
Smart IR	0 ~ 15 Level Adjustable
White Balance	ATW (1700K ~ 11000K) / AWC > Set / Manual / AWB
Mirror	H-Rev / V-Rev / Rotate
HSBLC	1 ~ 100 Level Adjustable
BLC	Off / Low / Middle / High
AGC	0 ~ 15 Level Adjustable
Brightness	0 ~ 100 Level Adjustable
Sharpness	0 ~ 10 Level Adjustable
Motion Detection	Off / On (4 Zone)
Lens Shading (LSC)	Off / On
Defog	Off / Auto
Gamma Connection	User / 0.45 ~ 1.0
Camera Title (Camera ID)	Off / On
Defect (White Pix Mask)	Live DPC / Static DPC (White: 2048, Black: 128)
DNR	2D, 3DNR
Privacy Mask	Off / On (8 Zone)
Language	16

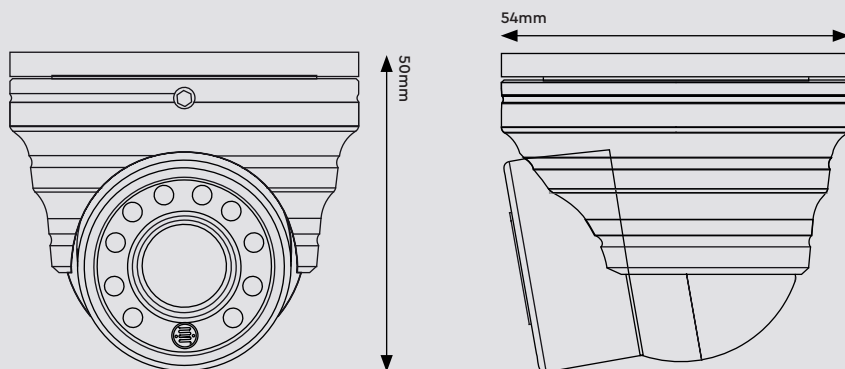
Camera

Image Sensor	1/2.8" Sony 2MP Exmor CMOS sensor
Resolution	1920 × 1080 (1080p @ 25fps)
Minimum Illumination	0 Lux (IR LED On)
Lens	3.6mm fixed board lens
Shutter Speed	Auto / FLK / 1/30 (1/25) Sec ~ 1/50000 Sec, x2, x4, x6, x8, x10, x15, x20, x25, x30
Total Pixel	2000 (H) × 1121 (V) pixels
Effective Pixel	1984 (H) × 1105 (V) pixels
S / N Ratio	More than 50 dB
Scanning System	Progressive scan
Video Output	1.0Vp-p Composite, 75Ω (AHD Off) 1.0Vp-p AHD, 75Ω (CVBS Off)

Others

Ingress Protection	IP66
Power	DC12V
Power Consumption	IR LED On (300mA Max.) ±10%
Temperature Conditions	Storage: -20°C ~ +60°C (Humidity: 20%RH ~ 95%RH) Operating: -10°C ~ +50°C (Humidity: 20%RH ~ 80%RH)
Dimensions	50 × 54 mm
Weight	300g

Dimensions



Accessories



PSU1SM

DC12V 1A Regulated Switch
Mode Power Supply

Bioaccess Sales Ltd. reserves the right to change specifications without notice. Please contact your representative to confirm current specifications.

Sales +44(0)1707 330541
Enquiries sales@genieproducts.co.uk
Website www.genieproducts.co.uk

genie