

2MP AHD 4-in-1 Motorised Lens Camera

GAHDB650IR



User Manual

Please read these instructions carefully before operating the unit
and keep for further reference.

Please read this instruction carefully before operating the product and keep it for further reference. All examples and pictures used here are for reference only. The contents of this manual are subject to change without notice.

CAUTION:

- In order to prevent electronic shock, do not loosen any screws or covers.
- Do not directly touch the front glass. If necessary, use a soft cloth to wipe off the dust.
- Avoid places where there are frequent vibrations or shocks.
- Do not operate the camera beyond its temperature and power source ratings.
- When any abnormalities happen, make sure to unplug the camera and contact your local dealer.

1.0 Introduction.....	4
1.1 Product Features.....	4
1.2 Product Dimensions	4
1.3 Specification.....	5
1.4 Packing	5
2.0 Cables and OSD.....	6
2.1 Cables	6
2.2 OSD Joystick	6
2.3 Video Signal Output Switches	6
2.3 Video Signal Output Switches	6
3.0 Menu.....	7

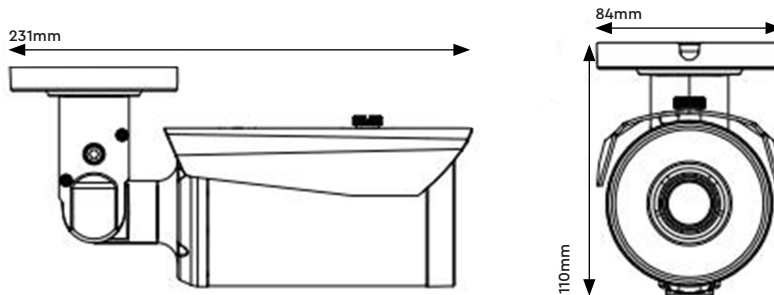
1.0 Introduction

The Genie GAHDB650IR is a professional, modern bullet design CCTV camera with 4-in-1 technology (AHD, TVI, CVI, CVBS). It utilises a superb 6–50mm auto iris motorised varifocal IR lens and offers up to 60m viewing when the IR illumination is switched on.

1.1 Product Features

- 1/2.9" 2.1 Mega-pixel Sony CMOS
- Supports 4 video signal output (AHD/TVI/CVI/CVBS), Default video output is AHD
- Supports Dip switch for signal changes
- Defog, DWDR, 3DNR, DSS, UTC
- 42pcs SMD LED's
- IR Range: Up to 60m (180.3~196.7ft) (Outdoor)
- 6–50mm auto iris motorised varifocal IR Lens,
- Viewing angle: Horizontal: 46°-6°

1.2 Product Dimensions



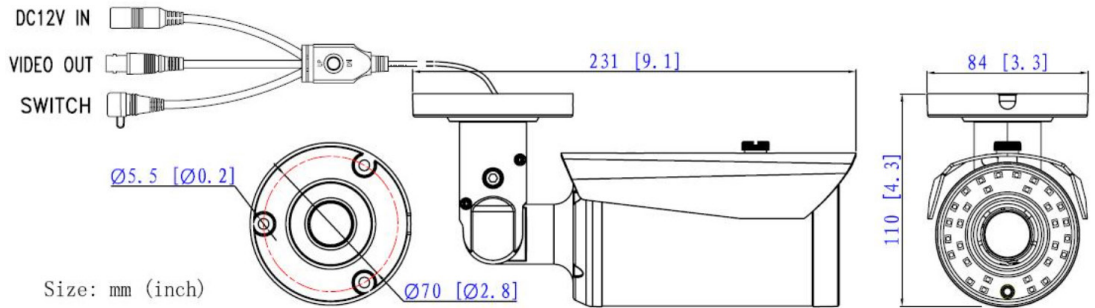
1.3 Specification

Camera	Image Sensor	1/2.9"Sony 2.1MP CMOS
	Scanning System	Progressive
	Resolution	1080p
	Electronic Shutter	NTSC:1/60~1/100,000S PAL:1/50~1/100,000S
	Minimum Illumination	0 Lux (42pcs SMD LED's ON)
	Lens	6~50mm auto iris motorised varifocal IR Lens
	Viewing Angle	Horizontal: 46°- 6°
	S / N Ratio	≥52dB
	Vertical Frequency	NTSC: 60Hz, PAL: 50Hz
	Pixels	1920 (H) x 1080 (V)
	Filter	Removable IR Cut Filter
Functions	OSD	Yes
	White Balance	ATW
	Back Light Compensation	AUTO
	Auto Gain Control	ON
	Defog	OFF/ON
	DNR	OFF/ON
	WDR	OFF/ON
	Day&Night	AUTO/Colour/B&W/Ext
	IR Distance	Up to 60m
	Gamma	0.45
	Video Output	AHD (TVI / CVI / CVBS)
Others	Ingress Protection	IP66
	Power Supply	DC12V ±10%
	Current Consumption	630mA (MAX)
	Working Environment	-30°C~+60°C, -30°C~+40°C
	Dimensions	231 × 84 × 110 mm
	Weight	720g

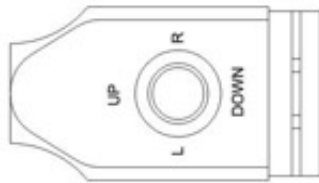
1.4 Packing

- Camera x 1
- User manual x 1
- Screw x 3
- Plastic Conical Anchor x 3
- L-Wrench x 1
- Mounting drawing paper x 1

2.1 Cables



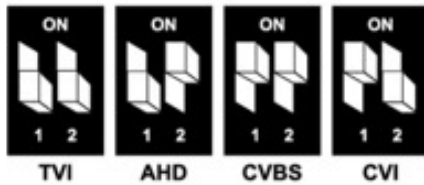
2.2 OSD Joystick



OSD Cable

1. "L" for left direction
2. "R" for right direction
3. "UP" for upwards direction
4. "DOWN" for downwards direction
5. Press the button for OSD menu

2.3 Video Signal Output Switches



2.3 Video Signal Output Switches

Menu (1)

Shows the up, down, left and right direction of the menu
Shows the enter/confirm button of the menu

Lens Auto Focus

As shown in the image below, (2) shows lens focus (Near/Far) of the Auto focus lens, and (3) shows Zoom (wide/tele) of the AUTO focus lens. When you keep pressing the "Focus" or "Zoom" buttons, the lens will keep moving, once you've found the right position, the lens will focus automatically when you stop pressing the "Focus" or "Zoom" button.



3.0 Menu

MAIN MENU			
MAIN MENU			
1. LENS	DC	1 LENS	MANUAL/DC#
2. EXPOSURE	↓	2 EXPOSURE	#
3. BACKLIGHT	OFF	3 BACKLIGHT	OFF/BLC#/HSBLC#
4. WHITE BAL	ATW	4 WHITE BAL	ATW/AWB/AWC-SET/INDOOR/OUTDOOR/ MANUAL#
5. DAY&NIGHT	EXT ↓	5 DAY&NIGHT	AUTO#/COLOR/B/W#/EXT#
6. NR	↓	6 NR	#
7. SPECIAL	↓	7 SPECIAL	#
8. ADJUST	↓	8 ADJUST	#
9. AF	↓	9 AF	#
10. EXIT	SAVE&END ↓	10 EXIT	SAVE&END#/RESET#/NOT SAVE#

LENS			
DC LENS MODE			
1. MODE	INDOOR	1 MODE	INDOOR/OUTDOOR#
2. IRIS SPEED	8	2 IRIS SPEED	0-15
3. RETURN	RET ↓	3 RETURN	RET#

EXPOSURE			
EXPOSURE			
1. SHUTTER	AUTO	1 SHUTTER	AUTO/ 1/30 / 1/60 / FLK / 1/240 / 1/480 / 1/1000 / 1/2000 / 1/5000 / 1/10000 / 1/50000 / X2 / X4 / X6 / X8 / X10 / X15 / X20 / X25 / X30
2. AGC	7	2 AGC	0-15
3. SENS-UP	AUTO ↓	3 SENS-UP	AUTO#
4. BRIGHTNESS	56	4 BRIGHTNESS	1-100
5. D-WDR	OFF	5 D-WDR	OFF/AUTO/ON#
6. DEFOG	OFF	6 DEFOG	OFF/AUTO#
7. RETURN	RET ↓	7 RETURN	RET#

BACKLIGHT			
BLC			
1. LEVEL	MIDDLE	1 LEVEL	MIDDLE/LOW/HIGH
2. AREA	↓	2 AREA	POSITION/SIZE/RET AGAIN
3. DEFAULT	↓	3 DEFAULT	#
4. RETURN	RET ↓	4 RETURN	RET#

DAY&NIGHT			
B/W			
1. BURST	OFF	1 BURST	OFF/ON
2. IR SMART	OFF	2 IR SMART	OFF/ON#
3. RETURN	RET ↓	3 RETURN	RET#

NR			
NR			
1. 2DNR	MIDDLE	1 2DNR	HIGH/MIDDLE/LOW/OFF
2. 3DNR	MIDDLE	2 3DNR	HIGH/MIDDLE/LOW/OFF
3. RETURN	RET ↓	3 RETURN	RET#

SPECIAL			
SPECIAL			
1. CAM TITLE	ON ↓	1 CAM TITLE	OFF/ON#
2. D-EFFECT	↓	2 D-EFFECT	FREEZE/MIRROR/NEG.IMAGE/RETURN
3. MOTION	OFF	3 MOTION	OFF/ON#
4. PRIVACY	OFF	4 PRIVACY	OFF/ON#
5. LANGUAGE	ENG ↓	5 LANGUAGE	ENG#/CHN1#/CHN2#/GER#/FRA#/ITA#/SPA#/ POL#/RUS#/POR#/NED#/TUR#/KOR#/JPN#/ HEB#/ARB#
6. DEFECT	↓	6 DEFECT	#
7. RS485	↓	7 RS485	#
8. RETURN	RET ↓	8 RETURN	RET#

ADJUST			
ADJUST			
1. SHARPNESS	AUTO ↓	1 SHARPNESS	OFF/AUTO#
2. MONITOR	LCD ↓	2 MONITOR	LCD#/CRT#
3. LSC	ON	3 LSC	OFF/ON
4. VIDEO OUT	PAL	4 VIDEO OUT	NISC/PAL
5. RETURN	RET ↓	5 RETURN	RET#

AF			
AF			
1. AF MODE	SEMI	1 AF MODE	SEMI/AUTO/MANUAL
2. ONE SHOT AF	↓	2 ONE SHOT AF	#
3. TDN AF	ON	3 TDN AF	OFF/ON
4. LENS INIT	↓	4 LENS INIT	#
5. RETURN	RET ↓	5 RETURN	RET#

Sales +44(0)1707 330541

Enquiries sales@genieproducts.co.uk

Website www.genieproducts.co.uk

genie