

Installation Guide for AC-5000 V3.0

Fingerprint Identification Terminal



*AC-5000Plus
& AC-5100*

Distributed by

genie

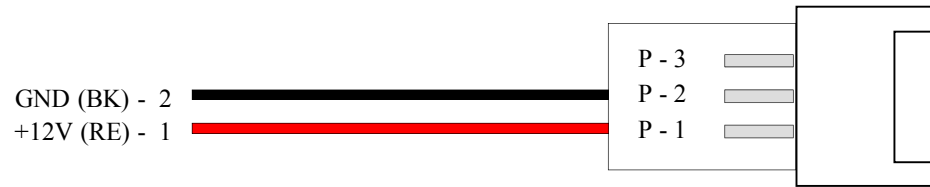
Doc Ver1.3

June., 18.2019

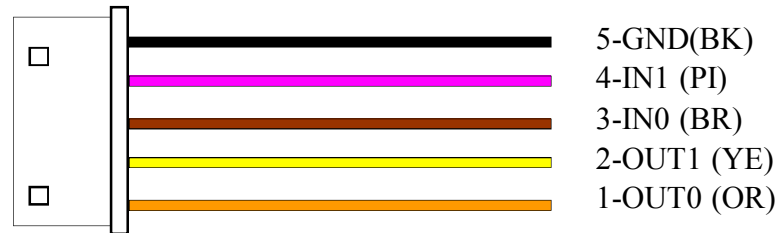
R&D Center

Union Community Co., Ltd.

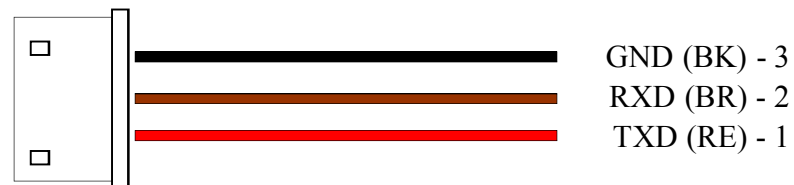
1. Description of External Cables



Power Adapter Cable

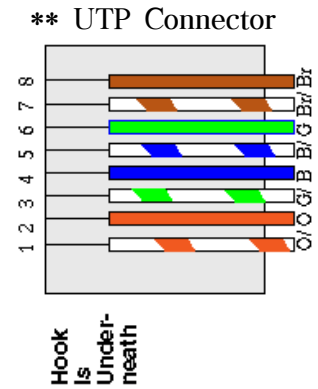
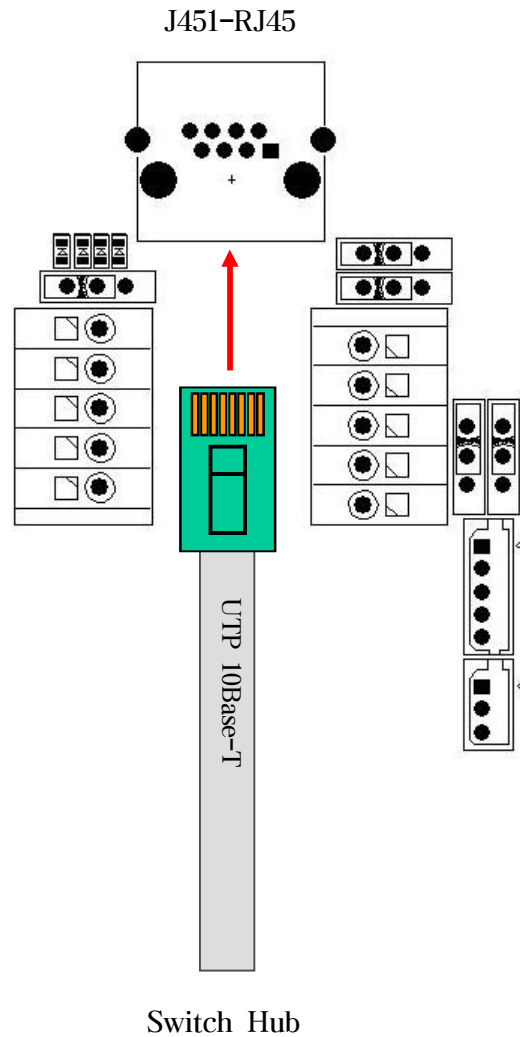


Wiegand Cable (5P)

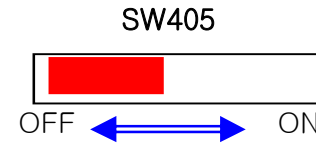
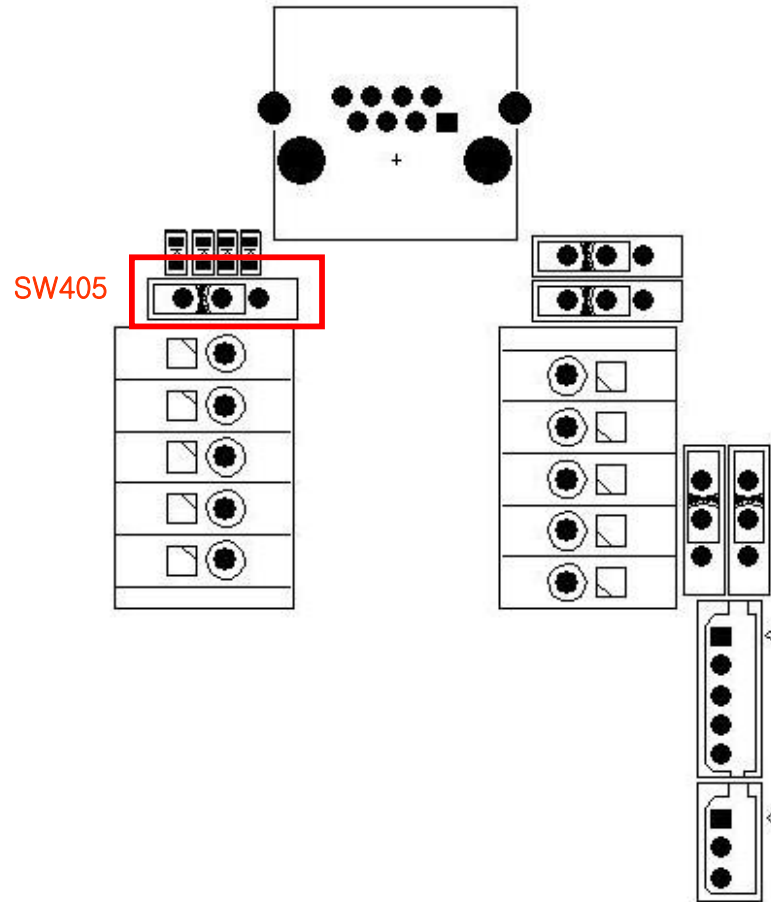


RS232 Cable (3P)

2. Connecting Ethernet (LAN) Cable

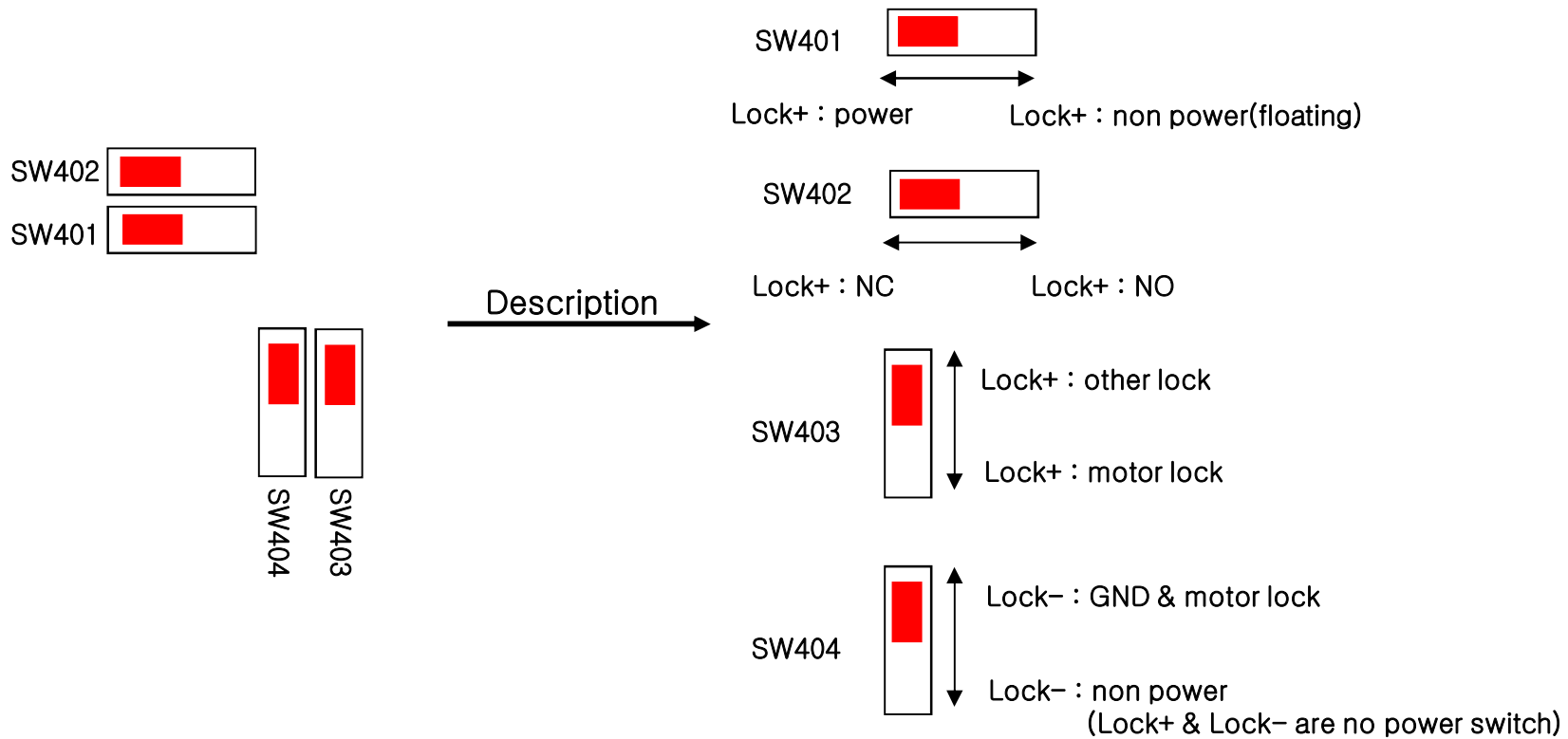


3. Resistor Setting for RS485 End Termination



- * Default Setting is off.
- * ON: 120 Ohm Resistor is connected between 485A and 485B

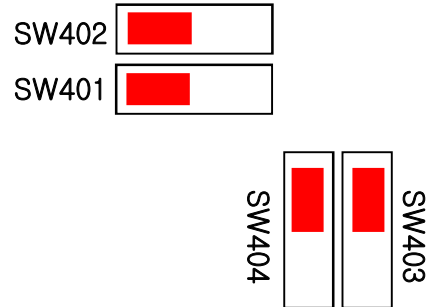
4. Description of the switch for setting lock



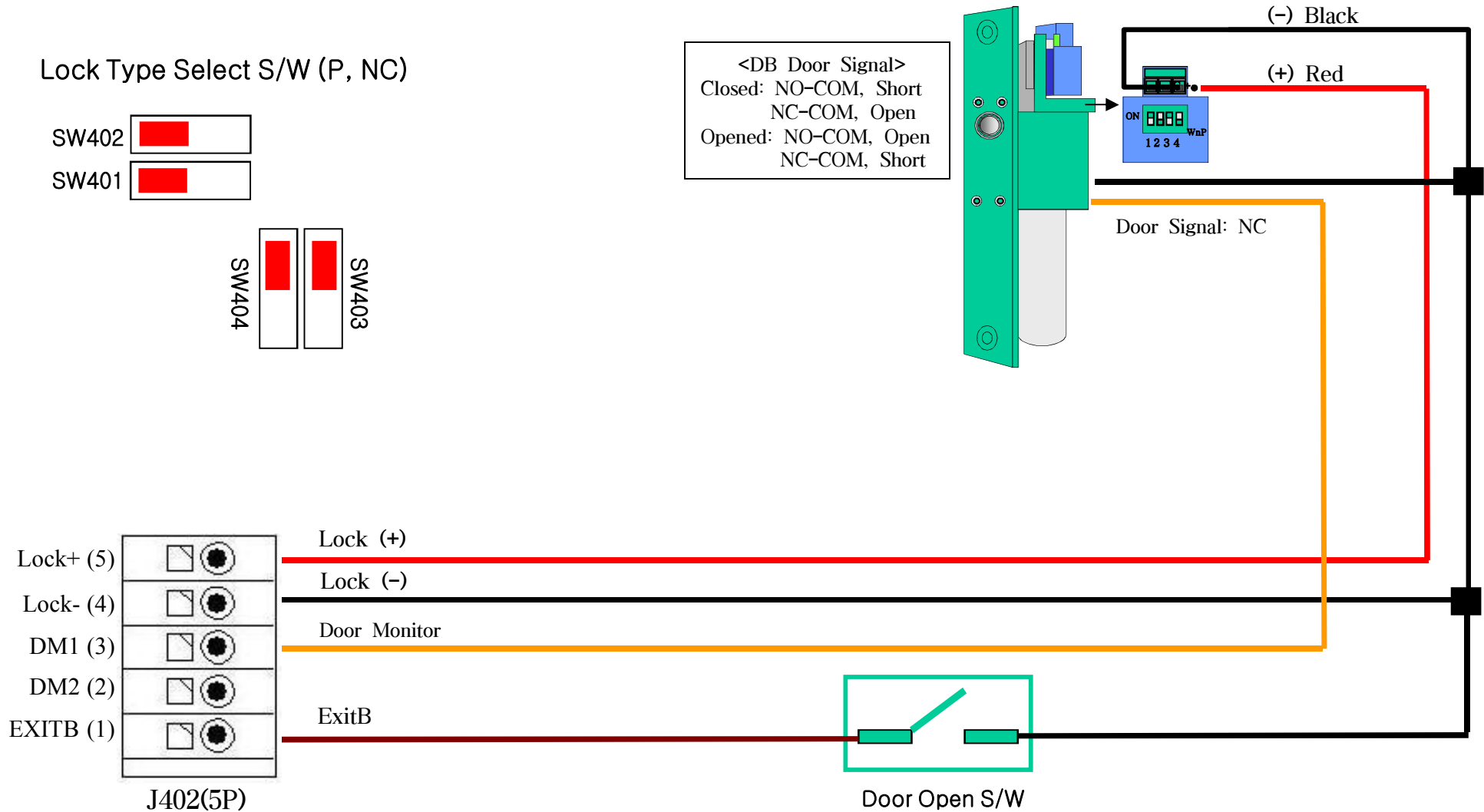
5. Connecting a Dead-Bolt Type Door Lock (Fail Safe)

5.1. Connecting One System/ One Lock

Lock Type Select S/W (P, NC)

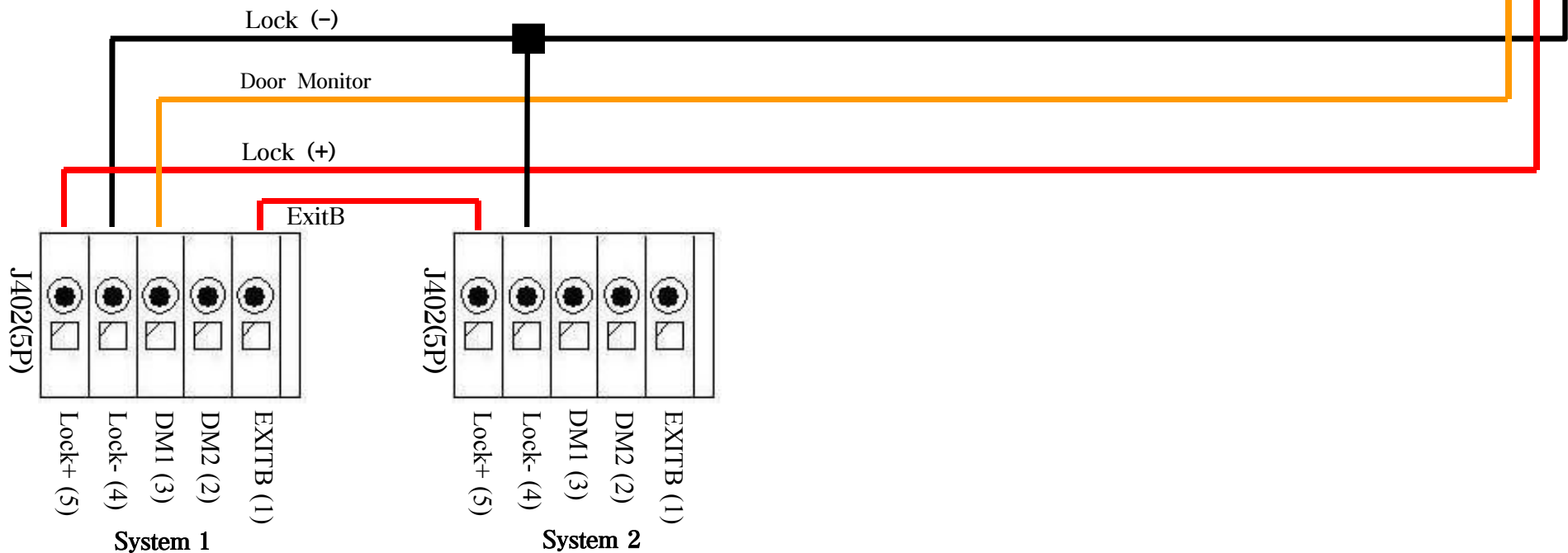
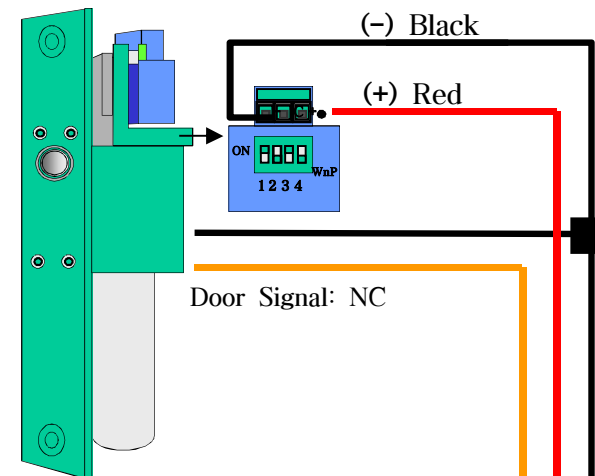
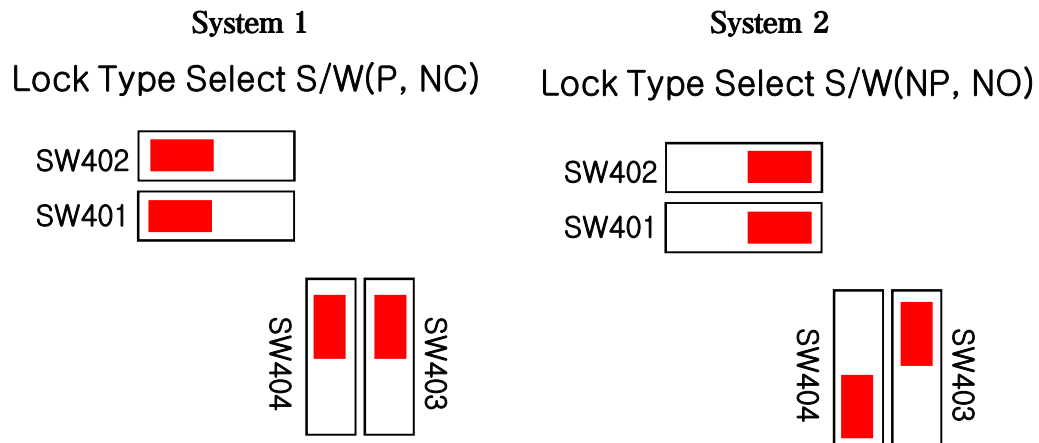


<DB Door Signal>
 Closed: NO-COM, Short
 NC-COM, Open
 Opened: NO-COM, Open
 NC-COM, Short



5. Connecting a Dead-Bolt Type Door Lock (Fail Safe)

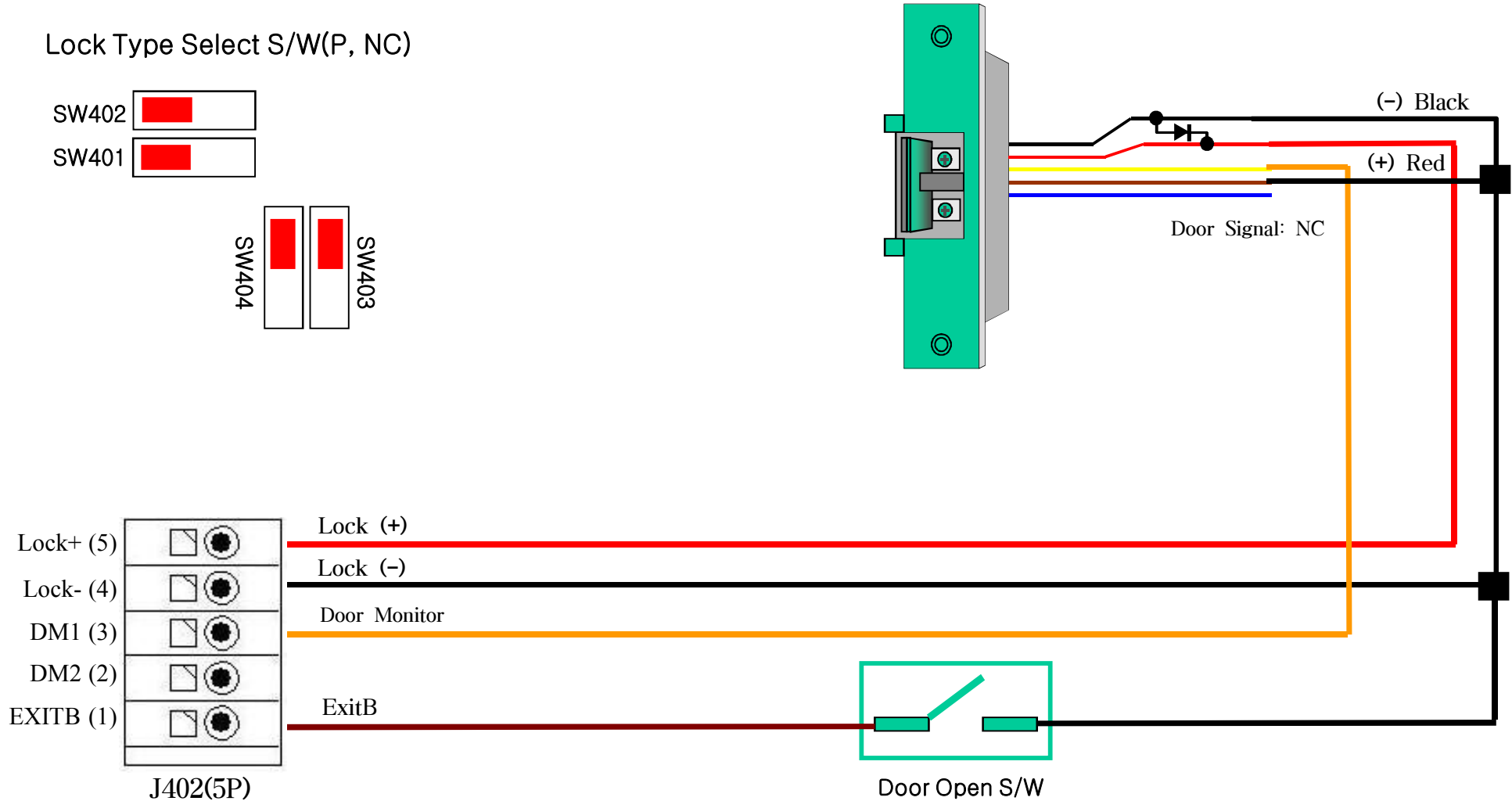
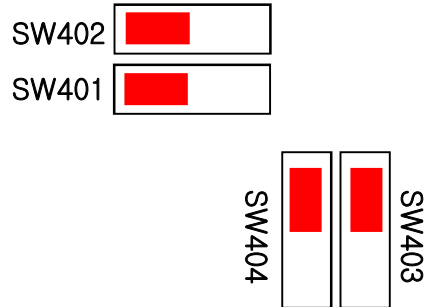
5.2. Connecting Two Systems/ One Lock



6. Connecting a Strike Type Door Lock (Fail Safe)

6.1. Connecting One System/ One Lock

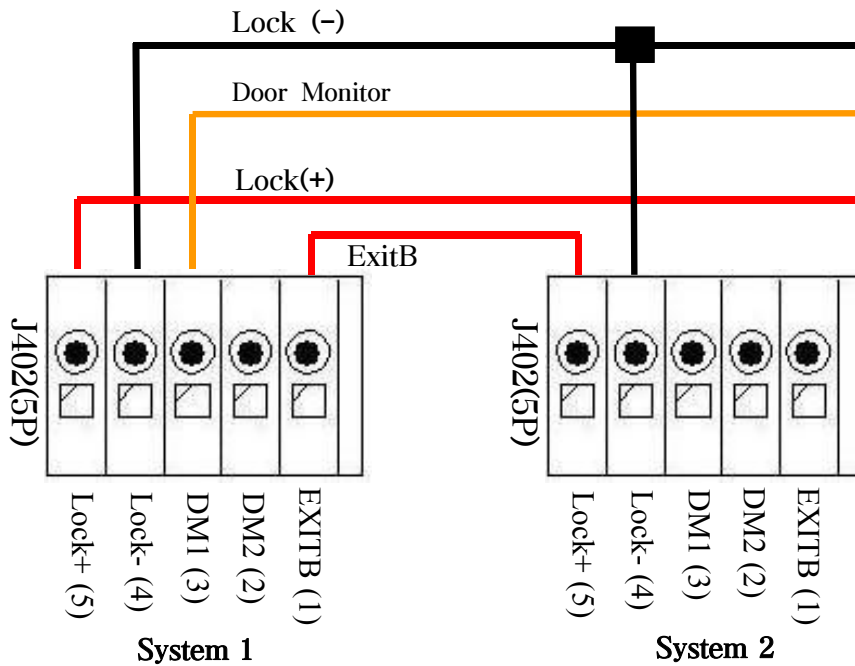
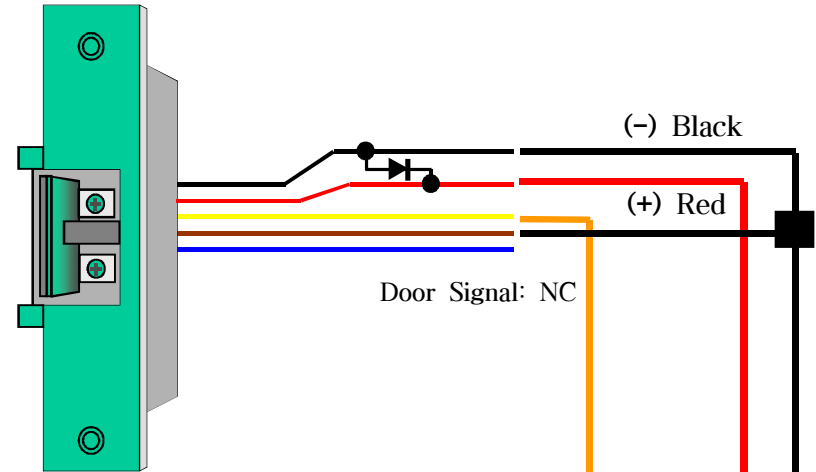
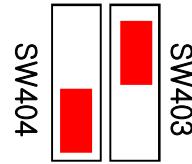
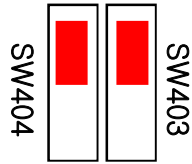
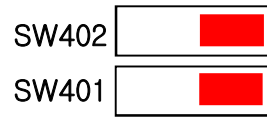
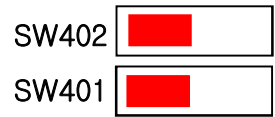
Lock Type Select S/W(P, NC)



6. Connecting a Strike Type Door Lock (Fail Safe)

6.2. Connecting Two Systems/ One Lock

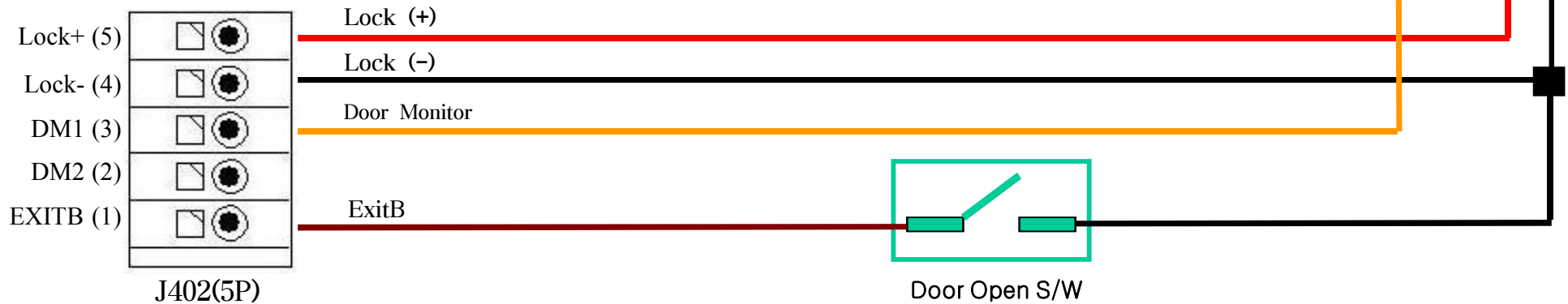
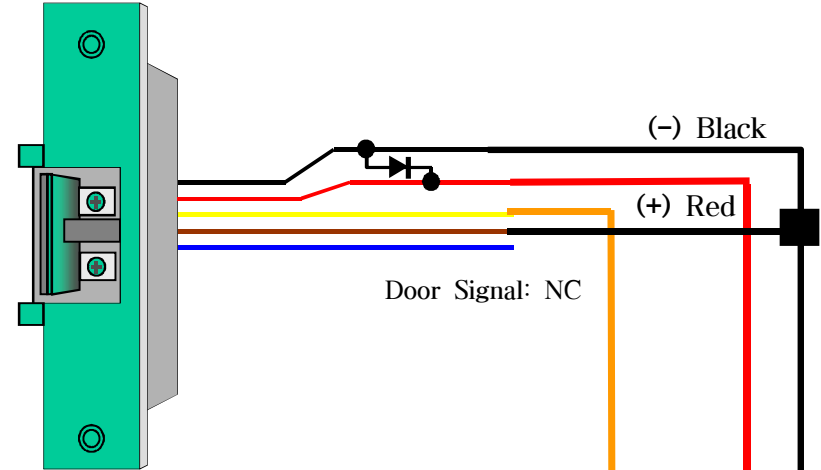
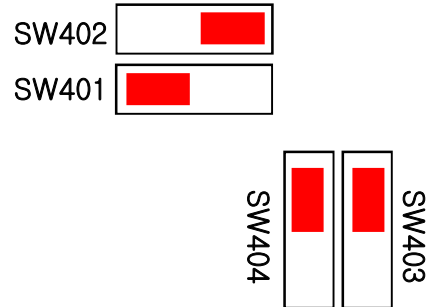
System 1 **System 2**
 Lock Type Select S/W(P, NC) Lock Type Select S/W(NP, NO)



7. Connecting a Strike Type Door Lock (Fail Secure)

7.1. Connecting One System/ One Lock

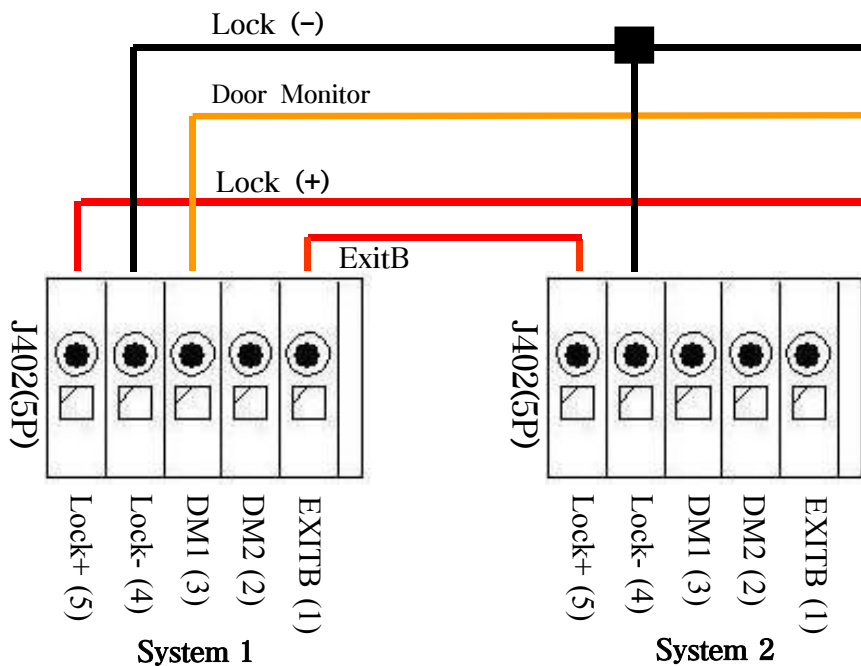
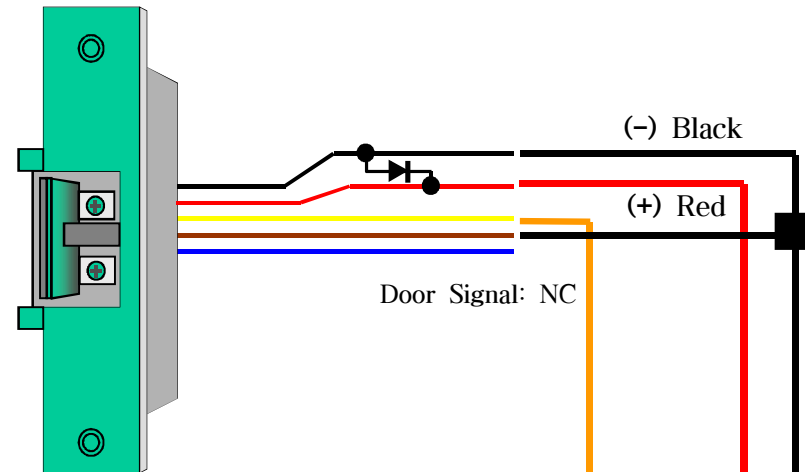
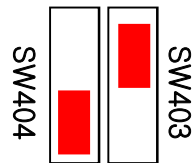
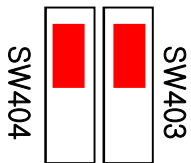
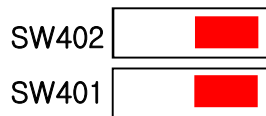
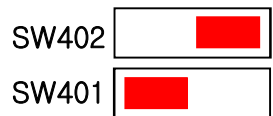
Lock Type Select S/W(P, NO)



7. Connecting a Strike Type Door Lock (Fail Secure)

7.2. Connecting Two Systems/ One Lock

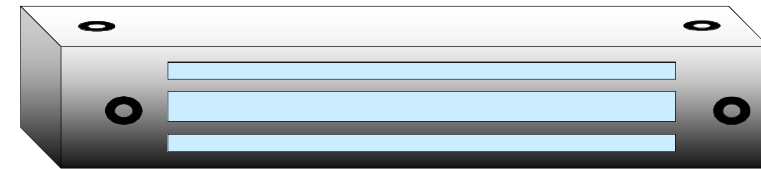
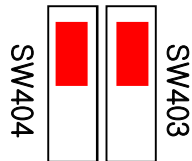
System 1 Lock Type Select S/W(P, NO) **System 2** Lock Type Select S/W(NP, NO)



8. Connecting an EM Type Door Lock (Fail Safe)

8.1. Connecting One System/ One Lock

Lock Type Select S/W(P, NC)



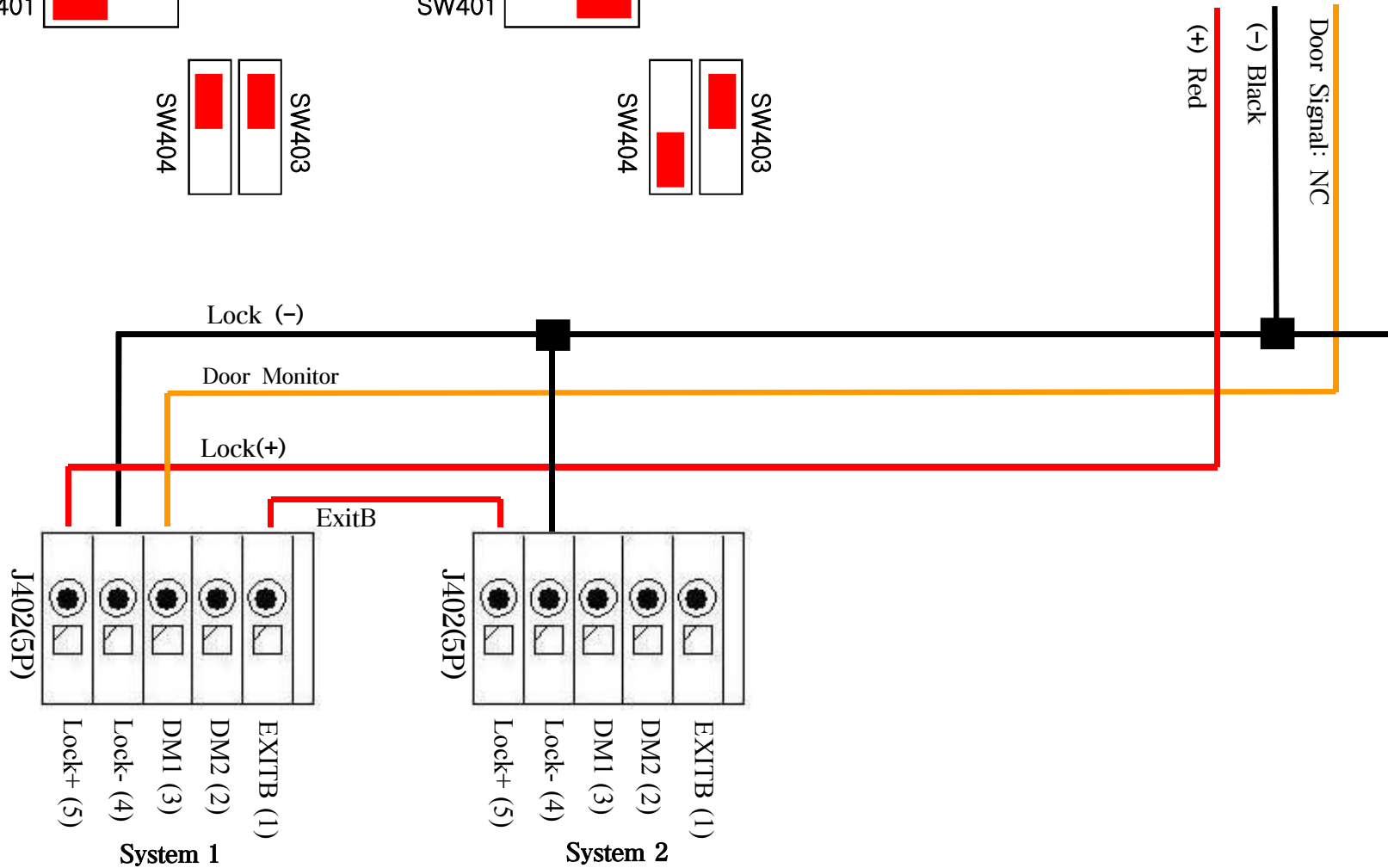
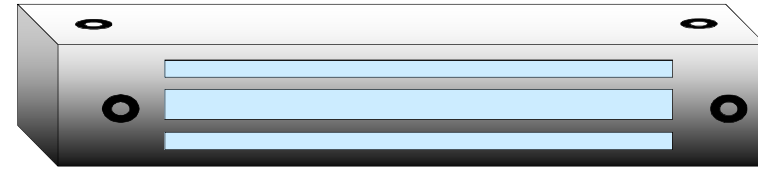
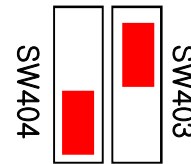
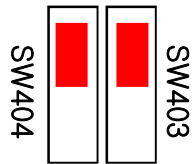
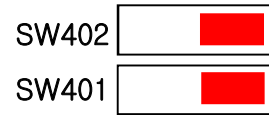
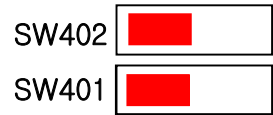
<EM Door Signal>
Closed: NO-COM, Short
 NC-COM, Open
Opened: NO-COM, Open
 NC-COM, Short



8. Connecting an EM Type Door Lock (Fail Safe)

8.2. Connecting Two Systems/ One Lock

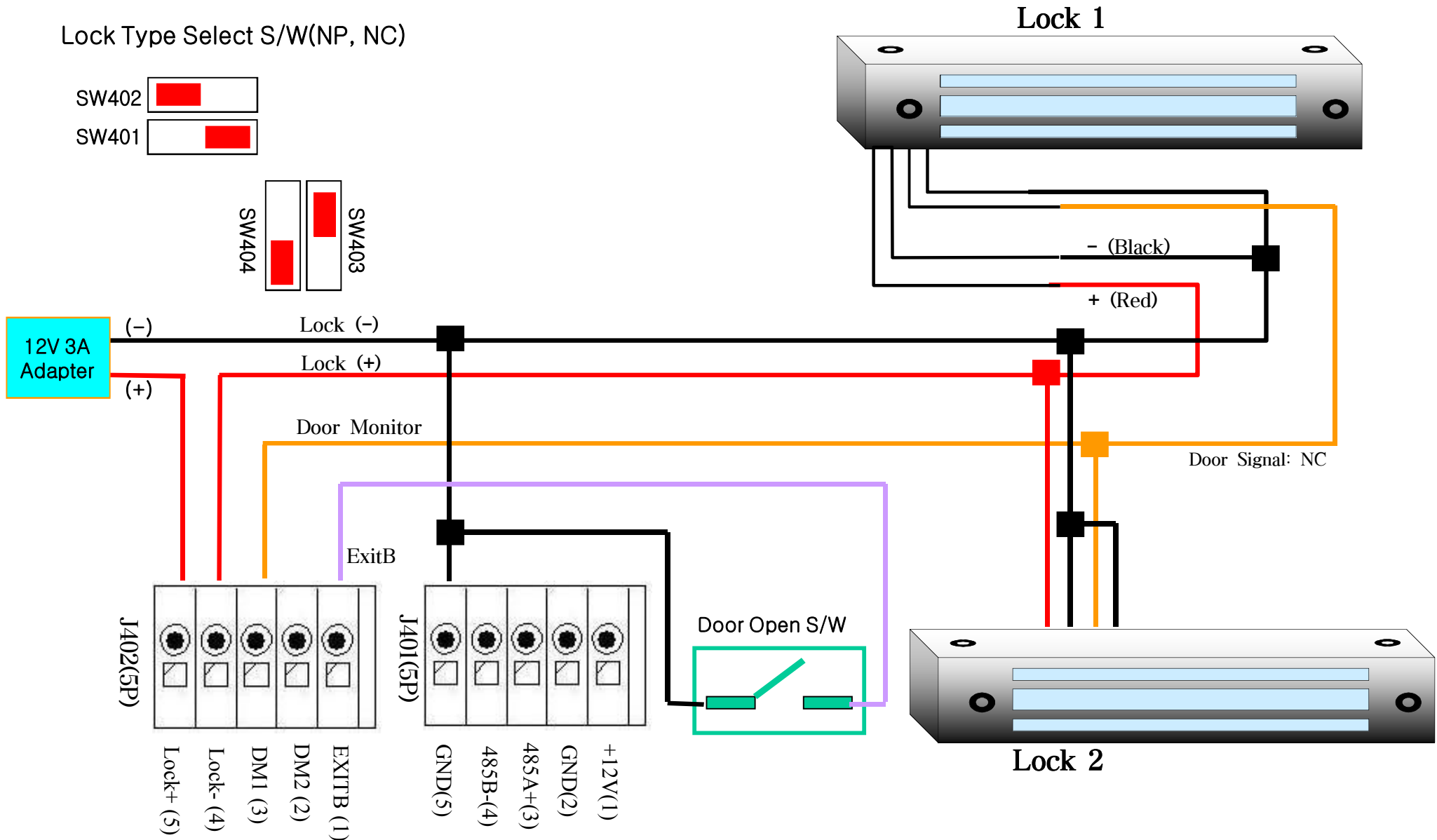
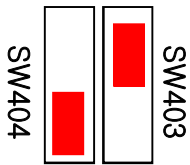
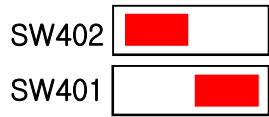
System 1 Lock Type Select S/W(P, NC) **System 2** Lock Type Select S/W(NP, NO)



8. Connecting an EM Type Door Lock (Fail Safe)

8.3. Connecting One System/ Two Locks “ Use external DC Power adapter”

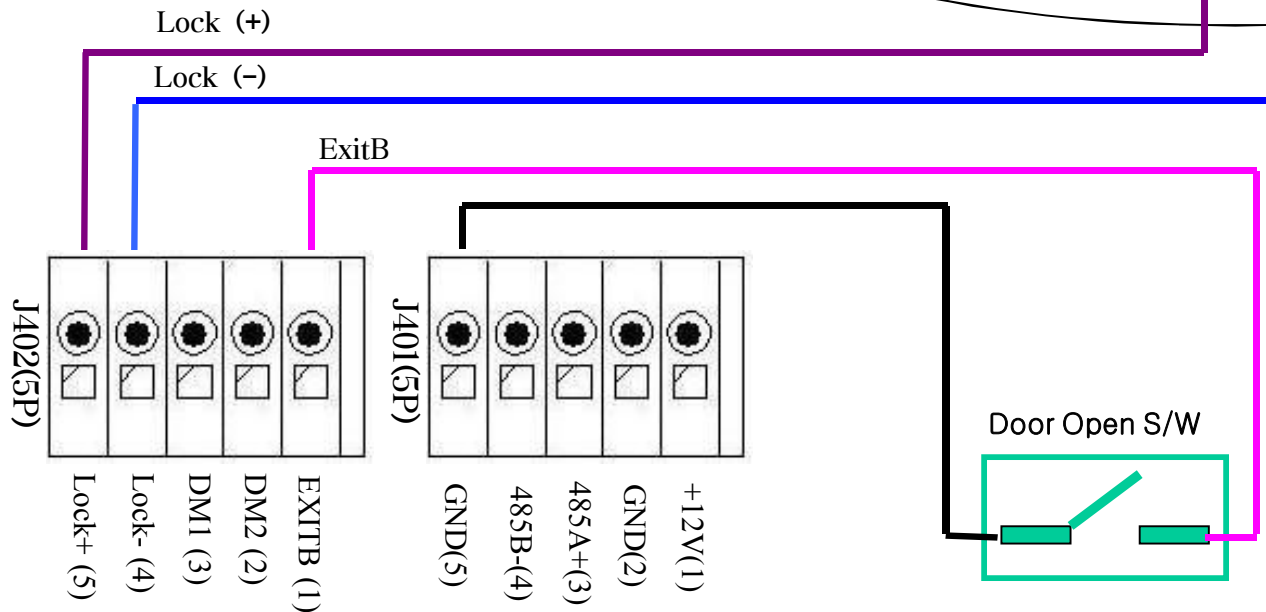
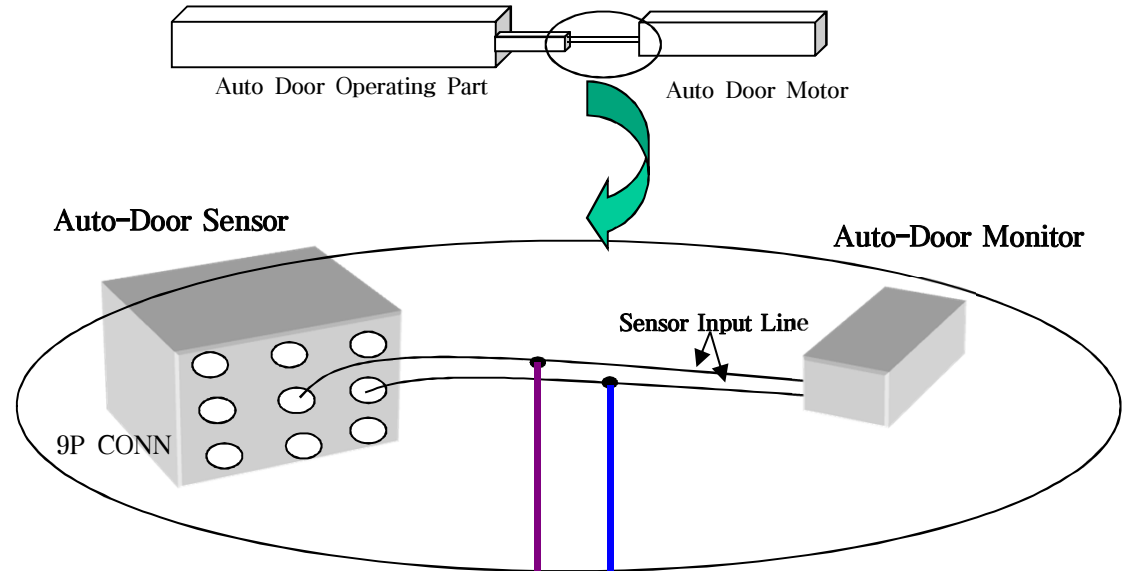
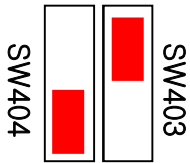
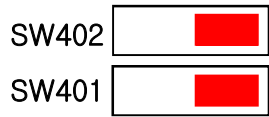
Lock Type Select S/W(NP, NC)



9. Connecting Auto-Door (Contact Control)

9.1. Connecting One System/ One Door

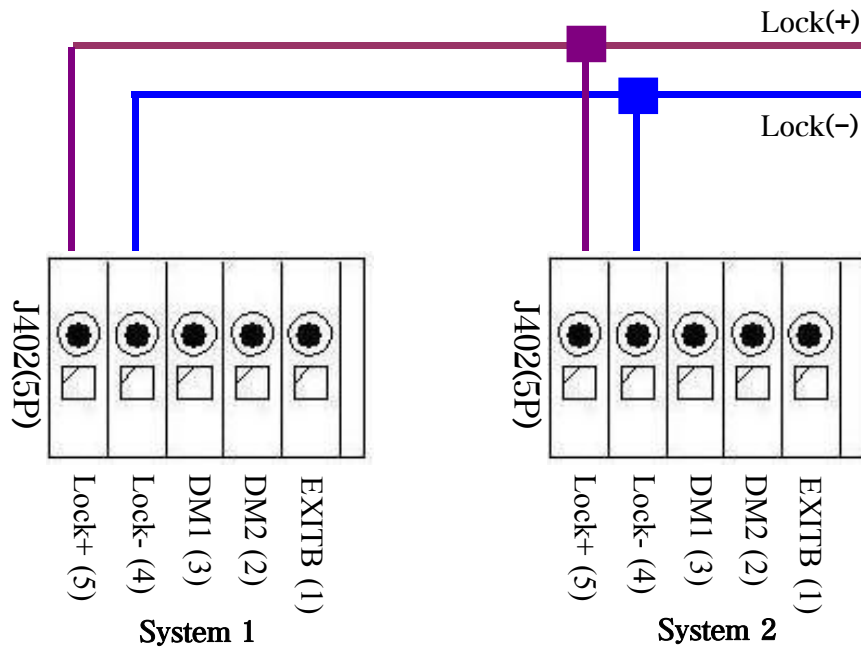
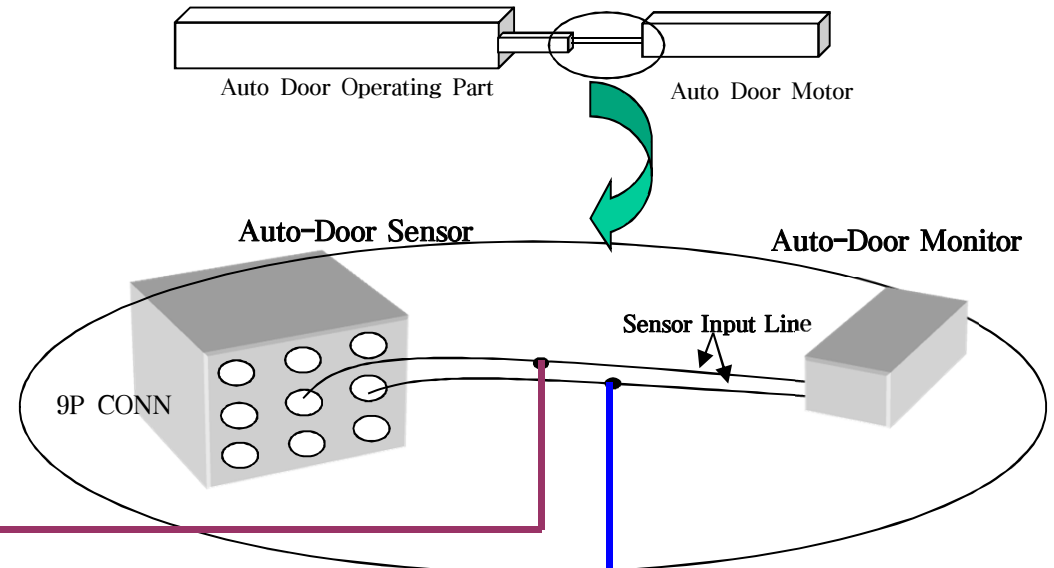
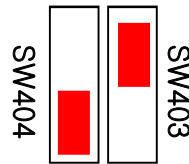
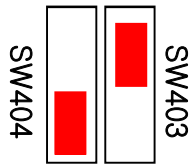
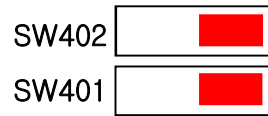
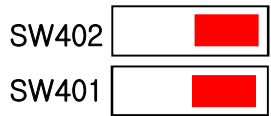
Lock Type Select S/W(NP, NO)



9. Connecting Auto-Door (Contact Control)

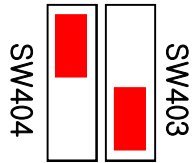
9.2. Connecting Two Systems/ One Door

System 1 System 2
 Lock Type Select S/W(NP, NO) Lock Type Select S/W(NP, NO)

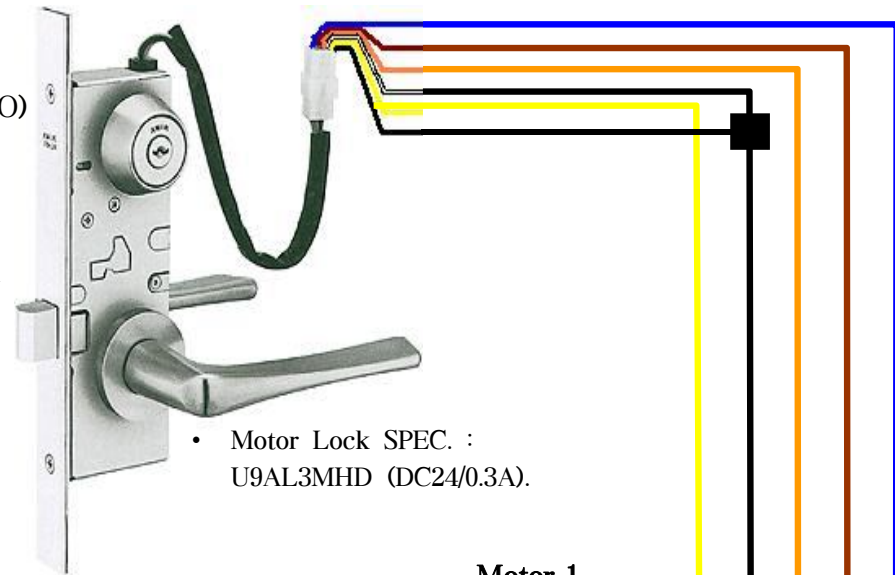


10. Connecting a Motorised Lock

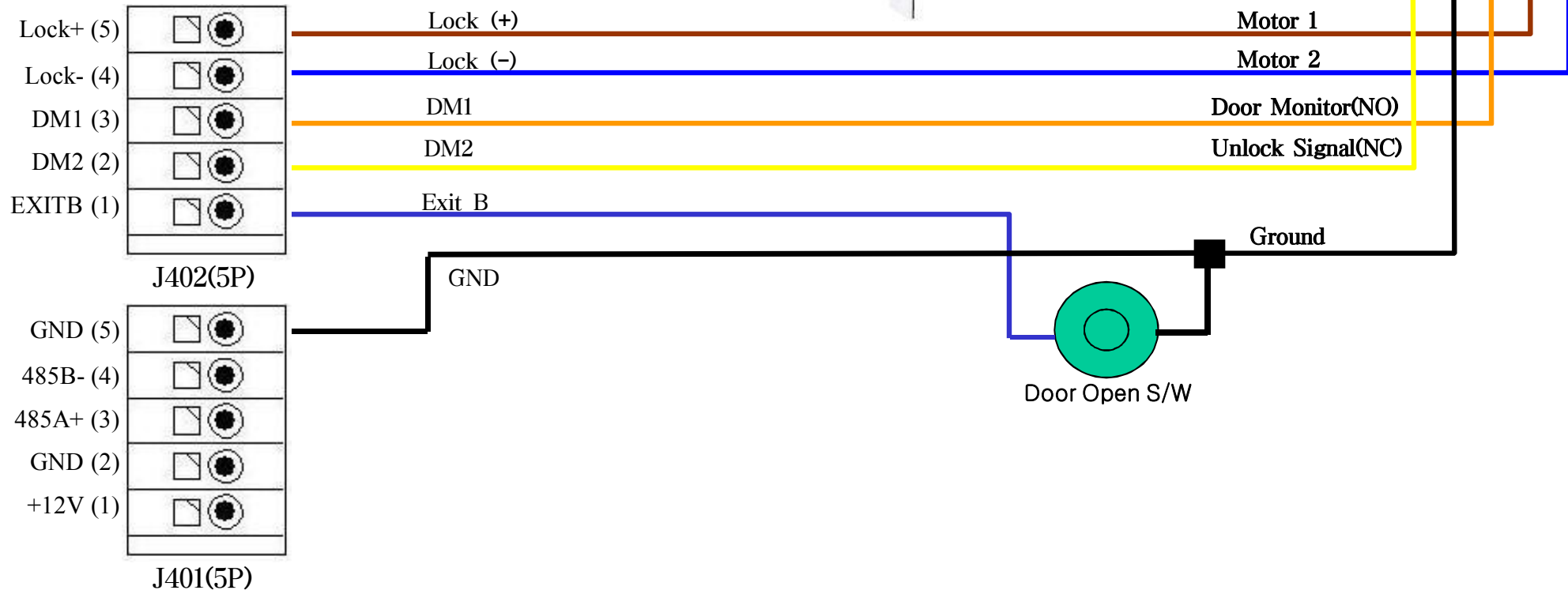
Lock Type Select S/W(P,M)



- Blue : Motor 2
- Brown : Motor 1
- Orange : Door Monitor(NO)
- White : Ground
- Yellow : Lock NC Signal
- Black : Ground
- Red : Lock NO Signal

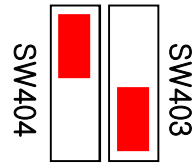


• Motor Lock SPEC. :
U9AL3MHD (DC24/0.3A).



11. Connecting Two Emergency Lamps

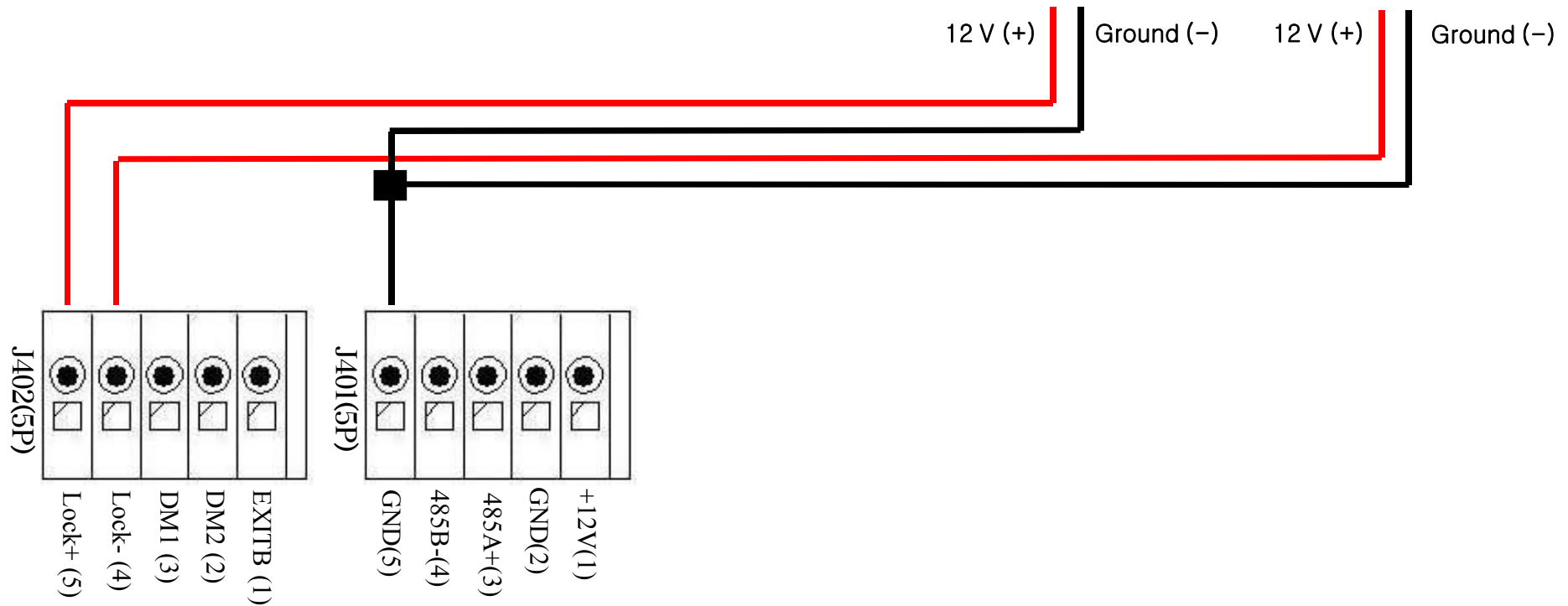
Lock Type Select S/W(P, M)



Emergency Lamp 1

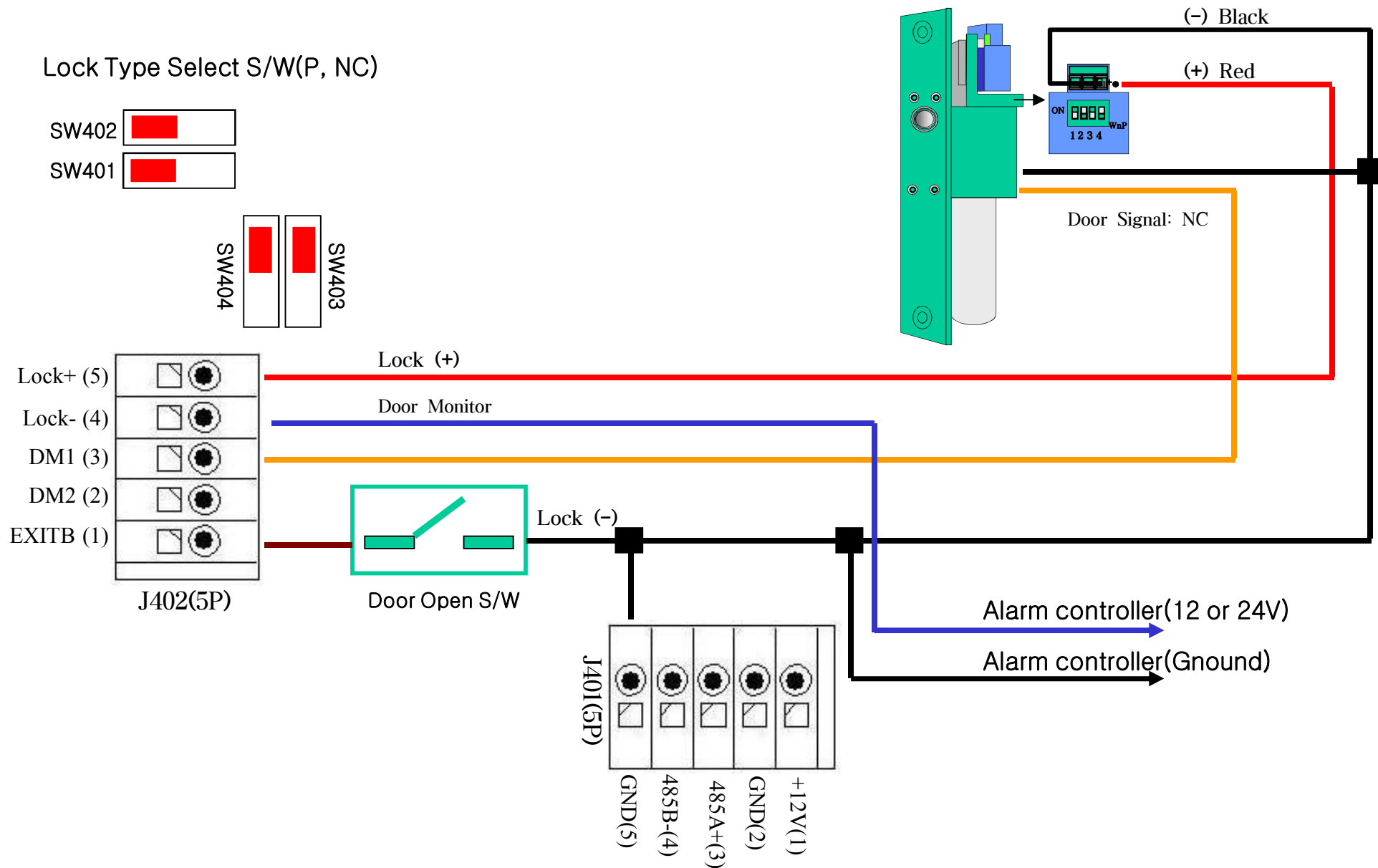


Emergency Lamp 2



12. Connecting an Electronic Lock with Duress Finger

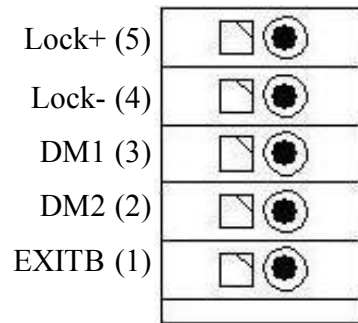
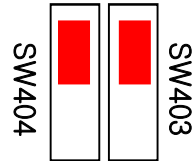
Ex) Fail Safe



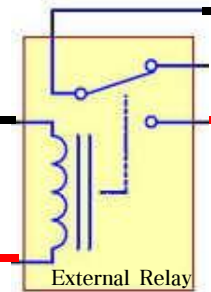
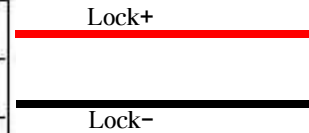
13.1 How to connect an external relay

** It is recommended to connect an external relay if a problem occurs after connection with an external equipment such as a speed gate.

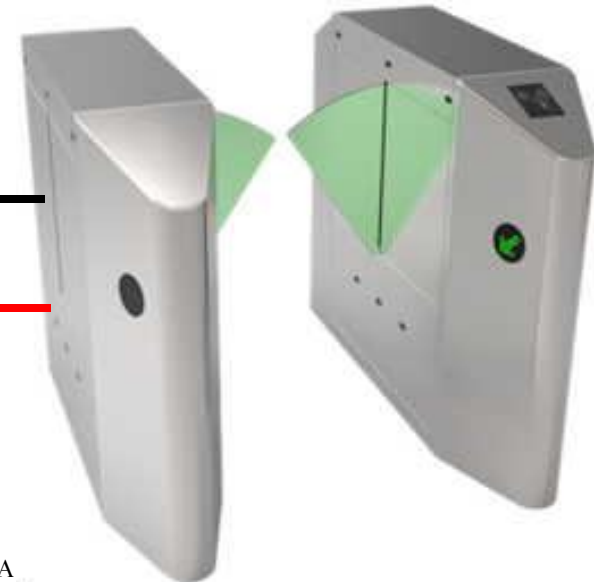
Lock Type Select S/W(P, NO)



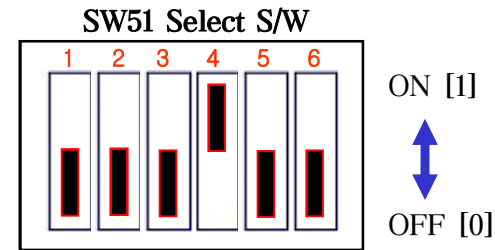
J402(5P)



<Relay SPEC.>
Coil Voltage: 12V
Contact Current: 1A~2A



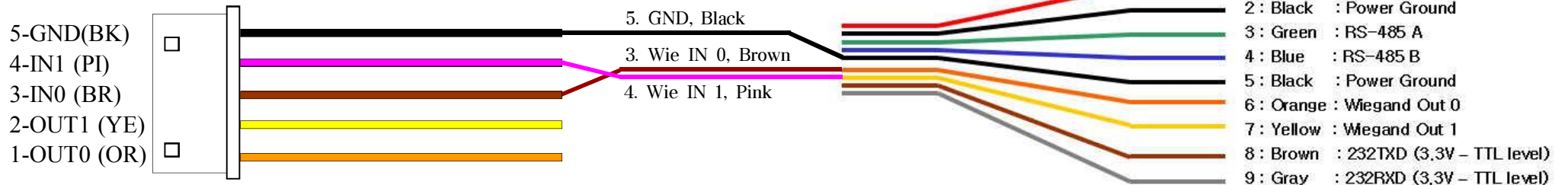
13.2 How to connect the VS-R20D RF Dummy Card Reader



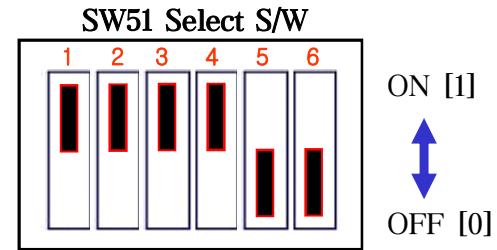
- * 1, 2, 3 OFF: 26Bit
- * 4 ON: Wiegand Mode



Wiegand Cable (5P)



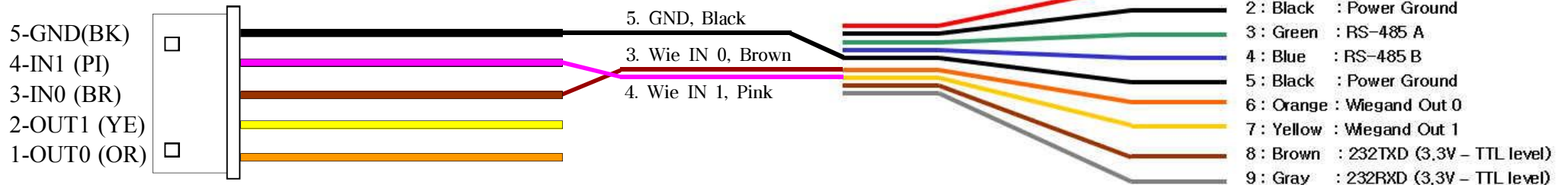
13.3 How to connect the VS-R20D SC Dummy Card Reader



- * 1, 2, 3 ON: 34Bit
- * 4 ON: Wiegand Mode



Wiegand Cable (5P)



Distributed by



Trading Address: Unit A8 Caxton Point Business Centre, Caxton Point, Caxton Way, Stevenage, SG1 2XU, UK
Registered Office: c/o Becktech Limited, Terminus Road, Chichester, Sussex, PO19 8DW, UK
Telephone: +44 (0)1707 330 541 | Email: sales@genieproducts.co.uk