

Side Opening Mid-Sized External Housing with Heater and PoE

TPH-4000P



Quick Start Guide

Please read these instructions carefully before operating the unit and keep for further reference. All the examples and pictures used here are for reference only. The contents of this manual are subject to change without notice.

The Genie TPH-4000P is a mid-sized side opening external housing with a heater and PoE in a die-cast aluminium alloy powder coated finish.

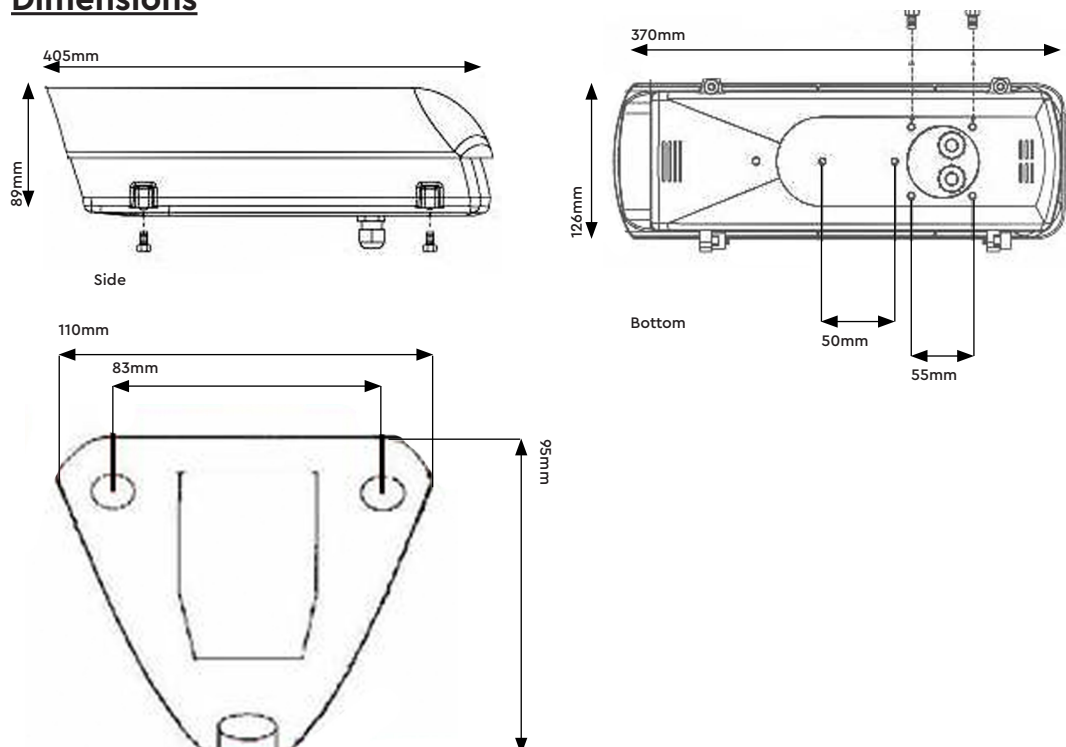
Features

- Pressure die-cast aluminium alloy construction with powder coated finish
- PoE (Power over Ethernet)
- Fully cable managed bracket
- Adjustable sliding camera tray
- Side-hinged top cover for easy access
- Includes DC12V heater
- IP67 ingress protection

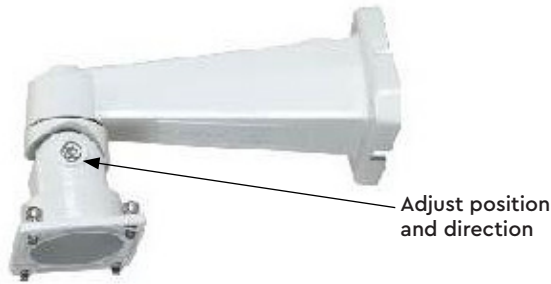
Specifications

Finish	Light ivory powder coated finish
Cable Inlet	2 x PGA 13.5 (ø to 8.8 mm)
Heater	DC12V heater switches on at 18°C and off at 28°C
Heater Current	1.12A (DC12V)
Power Supply Input	PoE 802.3at (30 watt)
Power Supply Output	PoE 802.3af (125.4 watt)
Ingress Protection	IP67
External Dimensions (W x H x D)	110 x 95 x 405 mm
Internal Dimensions (W x H x D)	90 x 70 x 200 mm
Weight	Housing : 1.95Kg Bracket : 0.66Kg

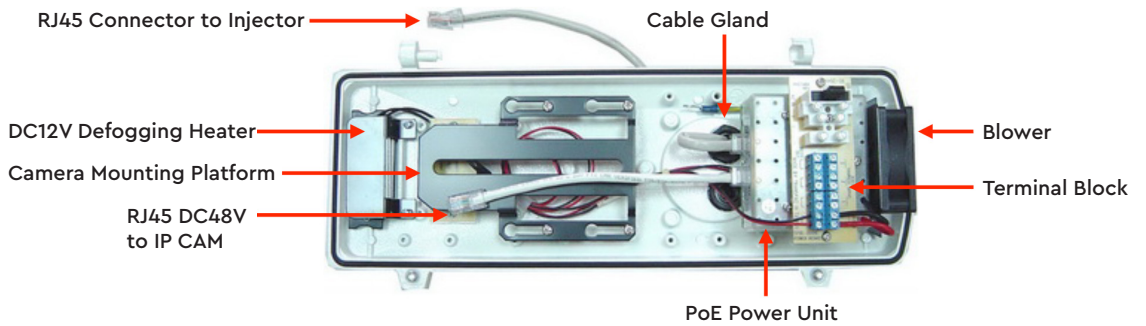
Dimensions



Mounting Configuration



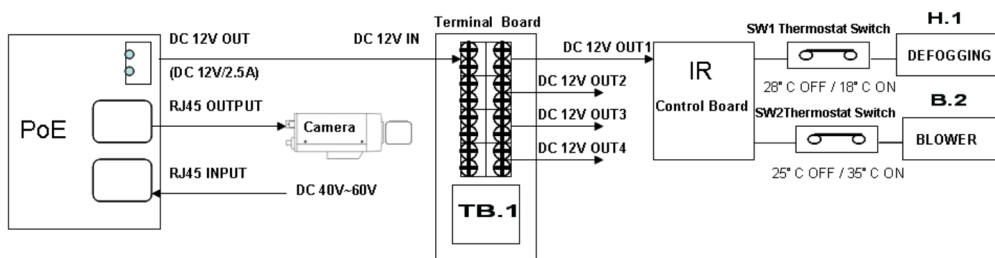
Fitting Instructions for Camera



Wiring Diagram

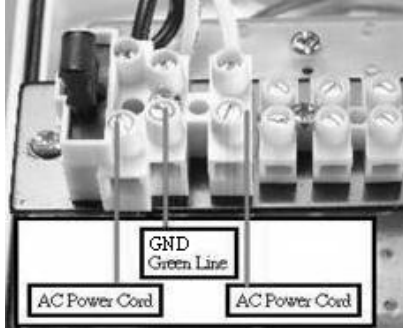
Inside the internal wiring diagram of TPH-4000P for the window demister. A spare 6 way terminal block is provided at the rear of the housing for the camera when necessary and lens connections. Circuit identified as follows:

TB.1	4 way terminal block
SW1	28°C Thermostat DC heater
SW2	35°C DC blower
H.1	Heater
B.2	Blower
PoE	PoE Power Supply Unit
IR	IR circuit board (option)



AC Power Connection

Shows how to connect the AC power cord to the TB. 1 connector. This is spare for AC power source input/output for AC accessory, it may not necessary to use in PoE enclosure.



Installation

If you plan to install this camera into a tropical, sear coastal, saltwater or corrosive industrial water/moist environment, please seal each stainless steel screw and fittings with a silicon grease compounds. This will help prevent electrolysis corrosive occurring and extend the lifespan of the camera and housing.

Caution :

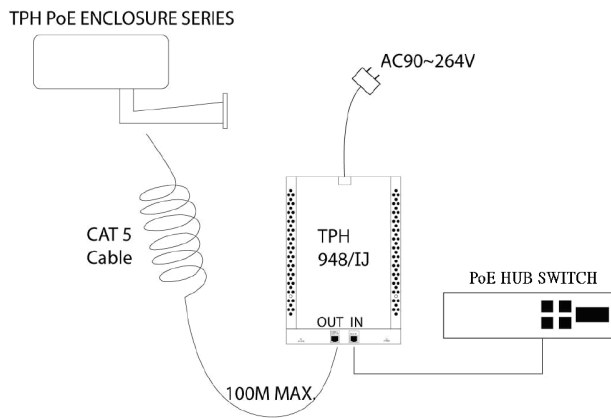
1. UTP Category 5 cable is recommended to field construction.
2. Input CAT 5 wire must be 8 core line with standard RJ45 male connector.
3. A workable length is not exceed 100 Meters CAT 5 cable from PoE Hub Switch to TPH-4000P, no guarantee if CAT5 cable beyond 100 Meters.
4. The second heater & IR illuminator are option and IEEE802.3at Injector (TPH948/IJ) is necessary to connect in between PoE hub switch and PoE enclosure.

RJ45 In/Out Pin Define & Connection

1. PoE Hub Switch end point with 48VDC output is an IEEE802.3af regulation device through pin 4,5,7,8 or 1,2,3,6 power device (PD).
2. An IEEE802.3at regulation power source equipment (PSE), a PoE injector is strongly recommend to connect in between PoE hub switch and PoE housing.

RJ-45 Input (Data & Power)		
Pin	Symbol	Description
1	RX+, Vin +/-	Data Receive/ Feeding power(+/-)
2	RX-, Vin +/-	Data Receive/ Feeding power(+/-)
3	TX+, Vin +/-	Data Transmit/ Feeding power(+/-)
4	Vin +/-	Feeding power(+/-)
5	Vin +/-	Feeding power(+/-)
6	TX-, Vin +/-	Data Transmit/ Feeding power(+/-)
7	Vin +/-	Feeding power(+/-)
8	Vin +/-	Feeding power(+/-)

RJ-45 Output (Data & Power)		
Pin	Symbol	Description
1	RX+, Vo -	Data Receive/ Feeding power(-)
2	RX-, Vo -	Data Receive/ Feeding power(-)
3	TX+, Vo +	Data Transmit/ Feeding power(+)
4	Vo +	Feeding power(+)
5	Vo +	Feeding power(+)
6	TX-, Vo +	Data Transmit/ Feeding power(+)
7	Vo -	Feeding power(-)
8	Vo -	Feeding power(-)



Sales +44(0)1707 330541

Enquiries sales@genieproducts.co.uk

Website www.genieproducts.co.uk

genie