

IPBL3M3.7

PCB LENSES

3MP 3.7 mm Lens for IPB2CPV2 PCB Camera



Key Features

- 3MP 3.7mm F1.8 Lens
- Fixed iris

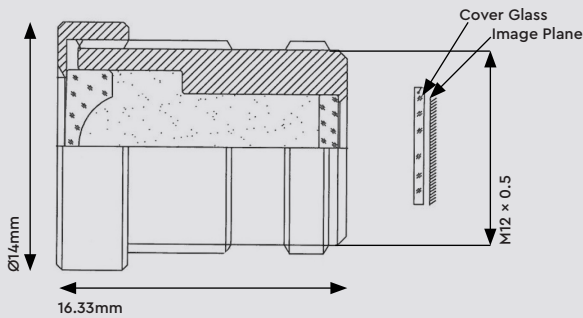
The Genie **IPBL3M3.7** is a 3MP 3.7mm lens for IPB2CPV2 PCB camera.



Specification

Sensing Area	1/2.7" CMOS, 1/3" CCD, 1/4" CCD
Focal Length	3.7mm ±5%
Back Focal Length	6.0mm ±5%
F No.	1.8
Iris	Fixed
TV Distortion	1/2.7" CMOS – 16.81% 1/3" CCD – 11.18% 1/4" CCD – 5.62%
Angle of View	1/2.7" CMOS – 114.0° (D) x 95.9° (H) x 51.1° (V) 1/3" CCD – 100.7° (D) x 77.7° (H) x 57.0° (V) 1/4" CCD – 72.4° (D) x 57.0° (H) x 42.3° (V)
Focus Extent	120cm~∞
Lens Construction	4 components, 5 elements, 1 compensation glass (1.08T) (Including 1 aspherical lens element)
Dimensions	14.0 × 16.33 mm

Dimensions



Accessories



IPB2CPV32

2MP H.264 Dual Stream
3.7mm Conical Pinhole Lens
32mm x 32mm PCB Camera