

IP01

IP TRANSMISSION

Passive IP Extender Over Coaxial Cable



Key Features

- Bandwidth up to 100Mbps
- Signal extension up to 300M over RG6U coaxial cable
- No power required for TX & RX unit

The Genie IP01 is an ethernet extender that can use coaxial cable to send IP signal without replacing the existing cable. A smooth upgrade to your CCTV system at a lower cost.



Specification

Supports

Transmission Distance 300m
Network Bandwidth 10/ 100Mbps

Ports & Interfaces

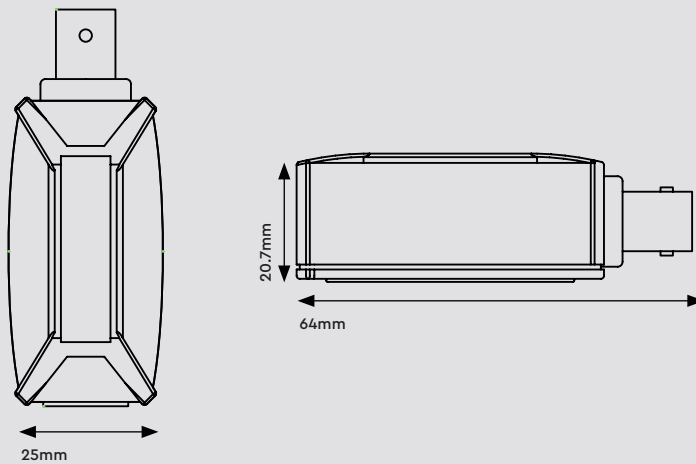
Input 1 x RJ45
Output 1 x BNC

Others

Temperature Operation: 0 to 55°C
Storage: -20 to 85°C
Humidity: Up to 95%

Dimensions 64 × 25 × 20.7 mm
Weight 25g

Dimensions



Application



Cable

Link cable use high quality 75Ω RG59, RG6U coaxial cable.

Caution

RG59 coax over 100M and RG6U over 150M, the network switch link speed need to manually setting at 10Mbps

Transmission Distance & Speed

Coax Cable	Link Speed	Distance (Max)
RG59	Auto 100Mbps	100M
RG59	10Mbps	200M
RG6U	Auto 100Mbps	150M
RG6U	10Mbps	300M