

AHD, CVI and TVI Passive Video Balun Kit – 2x Transceivers, DC12V and Data

HDUBKITVPD



Quick Start Guide

Please read these instructions carefully before operating the unit and keep for further reference. All the examples and pictures used here are for reference only. The contents of this manual are subject to change without notice.

The Genie HDUBKITVDP is a video balun that can use a single cost-effective ethernet cable to extend HD-TVI / AHD / HD-CVI / CVBS signal and power, with the transmission distance up to 300m and the resolution up to 4K (8MP). The equipped power plug can also provide power from the local power supply for a remote CCTV camera and the pigtail design allows you to have an easier, faster connection experience. The balun also has built-in ESD, EFT, and surge protection components, allowing the unit to have a longer product lifespan.

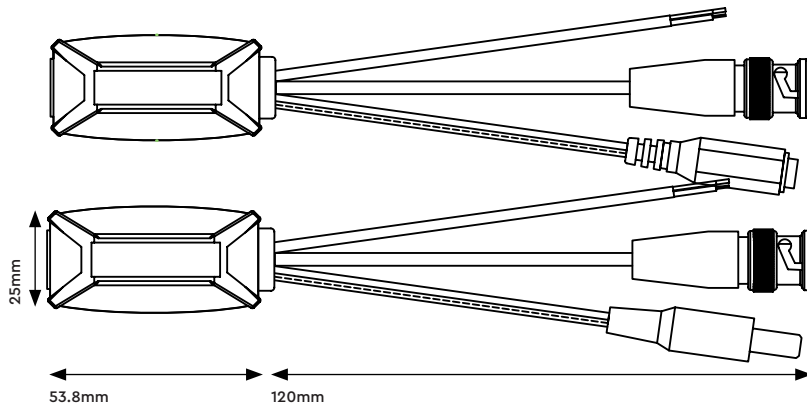
Features

- Resolution up to 4K (8MP)
- Signal extension up to 300M over CAT5e (or greater) cable
- Built with DC Jack, and 2 bare wire for power & RS485 transmission
- Male BNC to RJ45 connector design
- Built-in ESD, EFT(impulse noise) and transient protection

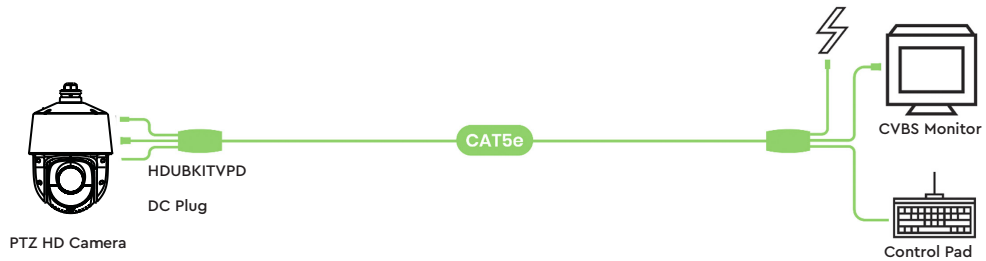
Specifications

Supports	Maximum Video Resolution	8MP (4K)
	Maximum Transmission Distance	HD-TVI – 100m at 1080p AHD – 250m at 8MP HD-CVI – 200m at 8MP CVBS – 300m (NTSC / PAL)
	Signal Bandwidth	50Hz to 60MHz (-3dB)
Ports & Interfaces	Video Input/ Output	1 x BNC (1 Vp-p, 75 Ohm)
	Link Interface	1 x RJ45 (100 Ohm)
	Power Interface	1 x DC Plug (ø2.1 x 5.5mm), 1 x DC Jack
	RS485 Interface	DC Plug: 1 x Data Cable, DC Jack: 1 x Data Cable
Protection	ESD Protection	30kV(Air), 15kV (Contact), IEC 61000-4-2
	EFT Protection	40A(5/50ns), IEC 61000-4-4
	Lightning Protection	2A (8/20µs), IEC 61000-4-5
	Response Time	< 1 ns
Others	Temperature	Operating: 0 to 55°C Storage: -20 to 85°C Humidity: Up to 95%
	Dimensions	52.8 x 25 x 20.7mm & 120mm pigtail cable
	Weight	45g

Dimensions



Application



Use high quality CAT5e UTP or CAT6 UTP cable. The max working distance is 300m for AHD, CVI camera, HD-TVI maximum distance is 250m. The distance may be affected by the quality of cable, camera, DVR.

Caution

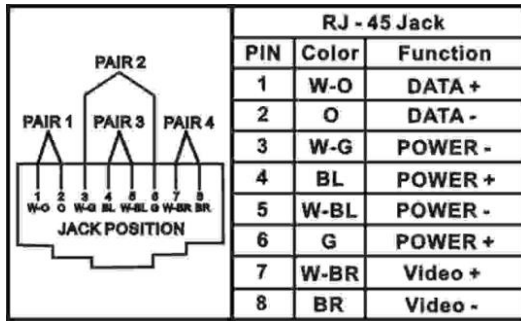
The cabling must away from any equipment with electromagnetic wave, i.e.: microwave, mobile phone, radio equipment, high voltage power cable.

Transmission Distance Chart

HD-TVI	AHD	HDCVI	CVBS
1080P 250M 5MP 200M	1080P 250M 4MP 200M	1080P 300M 5MP/4K 200M	400M

The distance may be affected by the quality of cable, camera and DVR. This installation should be made by a qualified service person and should conform to all local codes.

RJ-45 Jack Pin



Power Transmission Distance

Voltage	DC12V		
	50M	100M	300M
Distance	50M	100M	300M
Camera Power Consumption	2 PAIRS	2PAIR	2 PAIR
50mA	11.8	11.5	10.8
100mA	11.5	10.9	9.6
150mA	11.2	10.4	8.4
200mA	11	9.9	7.2
250mA	10.7	9.4	5.9
300mA	10.4	8.9	4.7
350mA	10.2	8.4	3.5
400mA	9.9	7.9	2.3
450mA	9.6	7.5	1.1
500mA	9.3	7	1.2
1A	6.8	2.7	X
1.5A	4.1	X	X

Voltage	DC24V		
	50M	100M	300M
Distance	50M	100M	300M
Camera Power Consumption	2 PAIR	2 PAIR	2 PAIR
50mA	23.6	23.3	22.8
100mA	23.3	22.7	21.6
150mA	23	22.3	20.4
200mA	22.8	21.8	19.1
250mA	22.5	21.3	17.9
300mA	22.2	20.8	16.7
350mA	21.9	20.3	15.5
400mA	21.7	19.8	14.2
450mA	21.4	19.4	13
500mA	21.1	18.9	11.8
1Amp	18.7	14.7	0.8
1.5Amp	16.1	10	X

Sales +44(0)1707 330541

Enquiries sales@genieproducts.co.uk

Website www.genieproducts.co.uk

genie