

HDUBKITP

PASSIVE BALUN

AHD, CVI and TVI Passive Video Balun Kit – 2x Transceivers and DC12V



Key Features

- Resolution up to 4K (8MP)
- Signal extension up to 300m over CAT5e (or greater) cable
- Male BNC to RJ45 connector with pigtail design
- Built-in ESD, EFT (impulse noise) and transient protection
- Built with DC Jack for power transmission

The Genie HDUBKITP is a video balun that can use a single cost-effective ethernet cable to extend HD-TVI / AHD / HD-CVI / CVBS signal and power, with the transmission distance up to 300m and the resolution up to 4K (8MP). The equipped power plug can also provide power from the local power supply for a remote CCTV camera and the pigtail design allows you to have an easier, faster connection experience. The balun also has built-in ESD, EFT, and surge protection components, allowing the unit to have a longer product lifespan.



genie

Specification

Supports

Maximum Video Resolution	8MP (4K)
Maximum Transmission Distance	HD-TVI – 100m at 1080p AHD – 150m at 8MP HD-CVI – 100m at 8MP CVBS – 300m (NTSC / PAL)
Signal Bandwidth	50Hz to 60MHz (-3dB)

Ports & Interfaces

Video Input/ Output	1 x BNC (1 Vp-p, 75 Ohm)
Link Interface	1 x RJ45 (100 Ohm)
Power Interface	1 x DC Plug (ø2.1 x 5.5mm), 1 x DC Jack

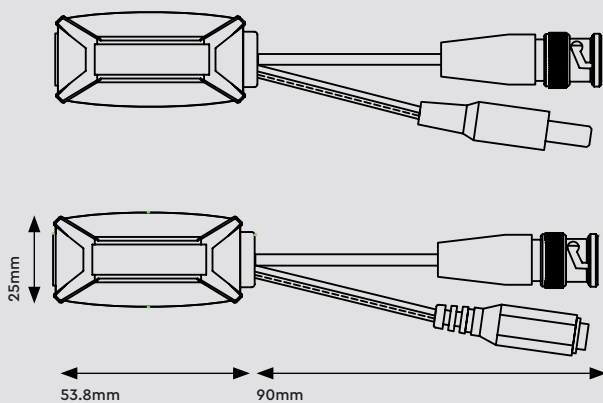
Protection

ESD Protection	30kV(Air), 15kV (Contact), IEC 61000-4-2
EFT Protection	40A(5/50ns), IEC 61000-4-4
Lightning Protection	2A (8/20µs), IEC 61000-4-5
Response Time	< 1 ns

Others

Temperature	Operating: 0 to 55°C Storage: -20 to 85°C Humidity: Up to 95%
Dimensions	52.8 x 25 x 20.7mm & 90mm pigtail cable
Weight	45g

Dimensions



Application

