

GVGA-COM

ACCESSORY

VGA to Composite Converter



Key Features

- Supports VGA, CVBS (NTSC-EIAJ / PAL / PAL-M / PAL-N video formats
- Resolutions up to 1024 × 768 @ 75Hz
- Built-in VGA loop-out port for an extra VGA display
- Supports OSD (On Screen Display)
- Image size (horizontal and vertical), brightness, contrast, hue, saturation, sharpness adjustable
- Windows and iOS operation system compatible

The Genie **GVGA-COM** is a video converter designed to convert VGA to CVBS signal with an additional VGA output. It's a convenient and cost-effective solution to replace PC monitors and projectors to watch playback using a TV monitor.



Specification

Supports

Maximum Video Resolution VGA at 1024 × 768 @ 75Hz, CVBS at NTSC/ PAL

Ports & Interfaces

Video Input 1 × 15-pin D Female

Video Output 1 × BNC

Video Loop-out 1 × 15-pin D Female

Others

Power Connector DC5V 1A Regulated

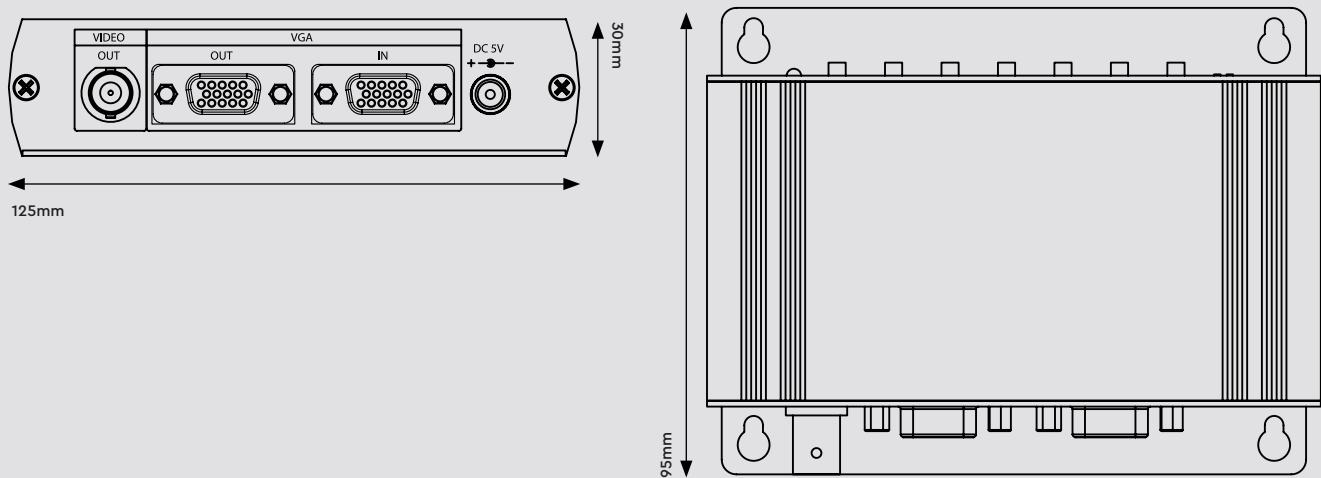
Power Supply 500mA

Temperature Operation: 0 to 55°C
Storage: -20 to 85°C
Humidity: Up to 95%

Dimensions 125 × 95 × 30mm

Weight 265g

Dimensions



Application

