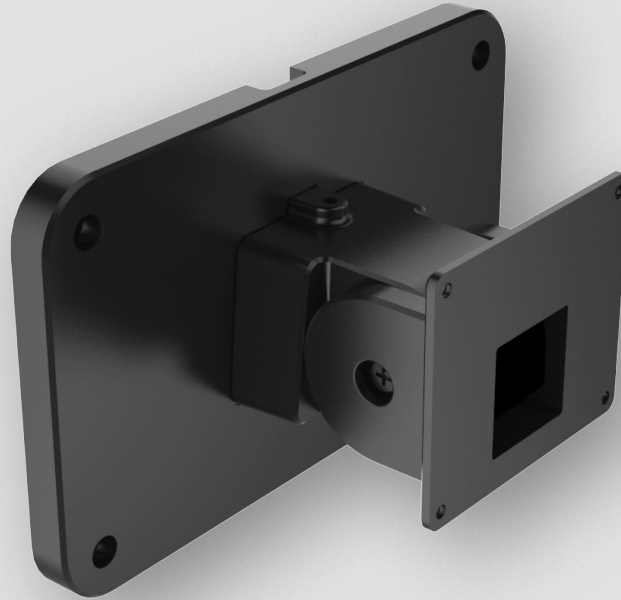


FRTMWM

# ACCESSORY

Wall Mount Bracket for WIP2FRTMTP



## Key Features

---

- Aluminium alloy material with surface spray treatment
- Wall mount bracket for WIP2FRTMTP

The Genie FRTMWM is a wall mount bracket for the WIP2FRTMTP face recognition terminal.



## Specification

---

<b>Material</b>	Aluminium alloy
<b>Colour</b>	Black
<b>Load Bearing</b>	The installation surface must be strong enough to withstand at least 3 times the weight of the terminal and the bracket.
<b>Dimension</b>	100 × 160 × 74 mm
<b>Weight</b>	Approx. 412g (Net)

## Dimensions

---

